

SERIES 189

**SOLENOID PILOT VALVE
subbase mounted
1/8" NPT**

**3 way,
2 position
NC or NO**

Specifications

Media : Air or inert gas filtered,
lubricated or dry
Operating Pressure : 0 to 145 PSI
Maximum Service Pressure (MSP) : 230 PSI
Temperature Media : 20°F to 140°F
Ambient : 20°F to 140°F
UL Recognized Component

Construction

Body: glass filled polyamide
Sealing: Nitrile (NBR)
Coil and iron circuit encapsulated rotatable 90°
Subbases: zinc diecasting

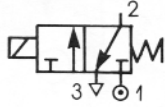
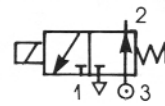


Electrical Characteristics

	Voltages	Consumption		Response Time	Insulation Class	Electrical Connector
		Inrush	Holding			
AC	24 V, 48 V, 120 V, 220 V 240 V, 50/60 Hz	6 VA	3.5 VA (2.5 W)	5 ms	F	Cable CM8 (PE9) or 1/2" Conduit Plug rotatable x 180°
DC	12 V, 24 V, 48 V, 110 V	2.5 W				

Options: CSA approved

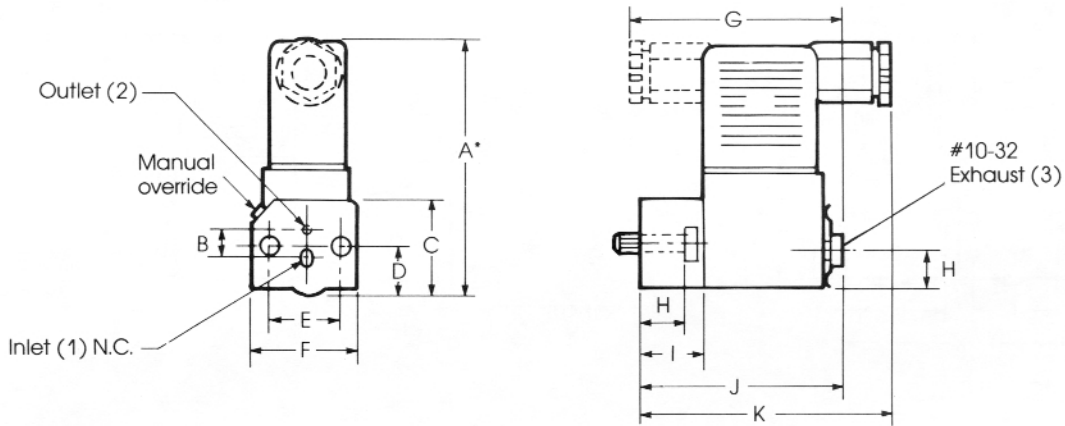
Selection Chart

Function	Type	Orifice	Flow Coefficient CV	Allowable Pressure Differential ΔP in PSI		MSP in PSI	Manual Override Locking	Model Numbers Specify AC or DC
				Max.				
				Min.	Max.			
 <p>Normally Closed 1 = Pressure 2 = Outlet 3 = Exhaust</p>	Base Mounted	.05	0.05	0	145	225	Screw	189 00 001
 <p>Normally Open 1 = Exhaust 2 = Outlet 3 = Pressure</p>	Base Mounted	.05	0.04	0	145	225	Screw	189 00 010

Subbases

Type	Ports		Model Numbers
	NPT	Type	
Single	1/8"	Side Ports	353 00 051
Manifold	1/8"	Side Ports	353 00 052

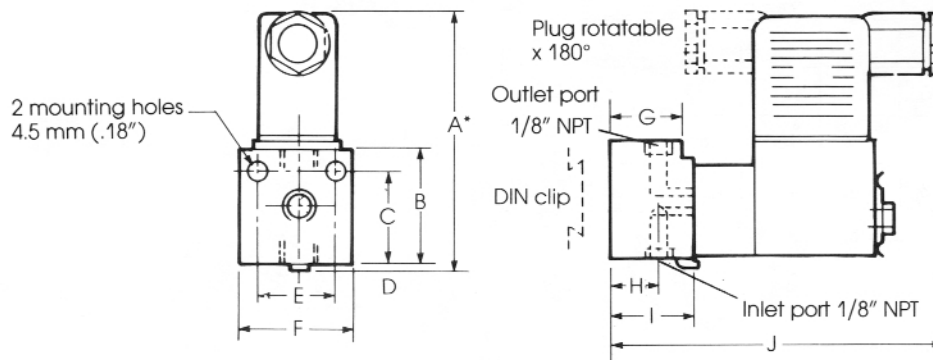
Solenoid Valve



Dimensions on Solenoid Valve

	A	B	C	D	E	F	G	H	I	J	K
inch	2.52	.30	1.02	.55	.83	1.14	2.17	.51	.63	1.97	2.68
mm	64	7.5	26	14	21	29	55	13	16	50	68

Valve on Single Base

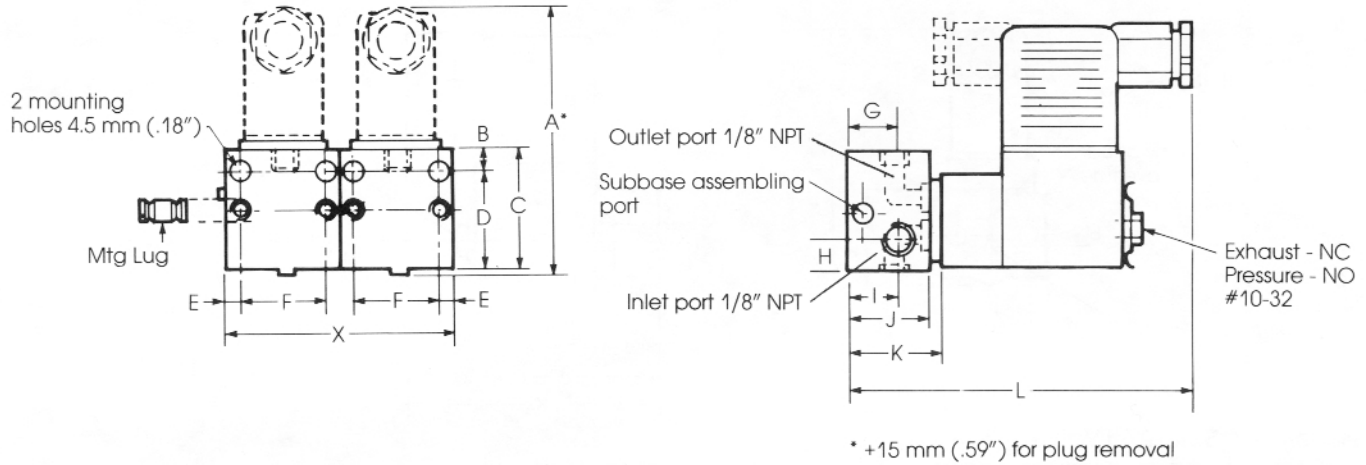


* +15 mm (.59") for plug removal

Dimensions on Single Base

	A	B	C	D	E	F	G	H	I	J
inch	2.60	1.18	.89	.04	.91	1.22	.65	.39	.79	3.46
mm	66	30	22.5	1	23	31	16.5	10	20	88

Valve on Manifold Base



Dimensions on Manifold Base

	A	B	C	D	E	F	G	H	I	J	K	L
inch	2.80	.24	1.42	1.18	.14	.83	.59	.39	.67	.98	1.06	3.62
mm	71	6	36	30	3.5	21	15	10	17	25	27	92

Dimensions for Manifold Valves

Number of Subbases	2	3	4	5	6	7	8
X inch	2.44	3.66	4.88	6.10	7.32	8.54	9.76
X mm	62	93	124	155	186	217	248
Weight Lbs.	.88	1.32	1.76	2.2	2.64	3.08	3.52

Manifold subbase includes seal and mounting lug.