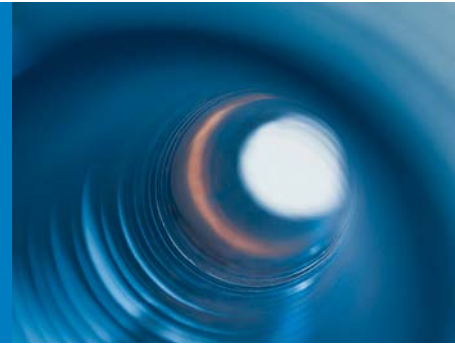


**Green means stop.  
FLOWSIC600**

Ultrasonic gas flow meter FLOWSIC600:  
Stop worrying about measurement accuracy

**SICK**  
Sensor Intelligence.

# Diagnostics Finger Print: an easy and fully automated accuracy check



Fiscal meter with integrated real-time diagnostics:  
FLOWSIC600

## **FLOWSIC600. Integrated and fully automated CBM.**

CBM (Condition Based Maintenance) means that the meter monitors itself. When any of the diagnostic parameter limits are exceeded, the FLOWSIC600 presents the user with a warning – on a real-time basis. This provides the user with a valuable tool to address performance changes long before they affect the measurement accuracy. So there is no need to collect and analyze data from the meter on a routine basis. The meter is shipped with a default set of warning limits, which are adequate in most applications.

They include the following key diagnostic parameters:

- Profile Factor
- Symmetry
- Turbulence
- Speed of Sound (SOS)
- Performance
- Signal to Noise Ratio (SNR)
- Gain (AGC)

## **New and unique: Diagnostics Finger Print.**

The implemented adaptive data storage provides diagnostics for the full operational flow range. The diagnostics are always available in the meter for review. Never before has it been so easy to generate a comprehensive comparison report between a historical reference Finger Print (e.g. field start-up) and the present diagnostics data.

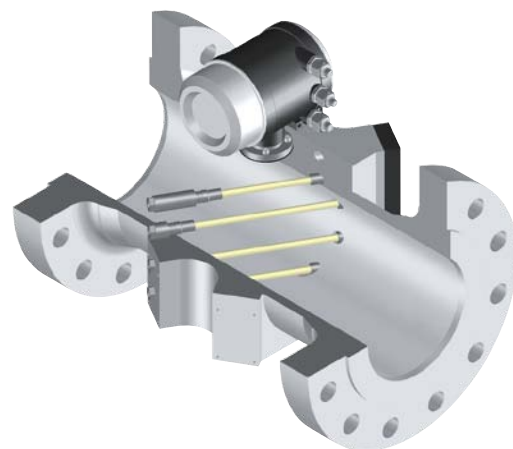
Needless to say, as with all other CBM diagnostics, a deviation from the reference Finger Print is automatically monitored within the meter. This provides timely warnings – possible issues can be addressed before they affect the meter's accuracy.

## **Further features making your life easy.**

In addition to the diagnostics comparison, the meter provides another invaluable tool: a time based Data Logger. This feature monitors and stores the volumetric and diagnostic meter information on user defined storage intervals in the context of audit trailing.

Download and storage of audit trail data as well as visual observation of the diagnostics is simple with the MEPAFLOW600 CBM user interface.

FLOWSIC600 – combines superior transducer technology and optimal path layout with automated Condition Based Maintenance and Diagnostics Finger Print. So you can stop worrying about accuracy – it's a SICK.



4-path Westinghouse chordal configuration.  
For the optimum in accuracy and long-term reliability