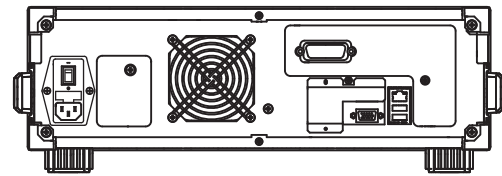
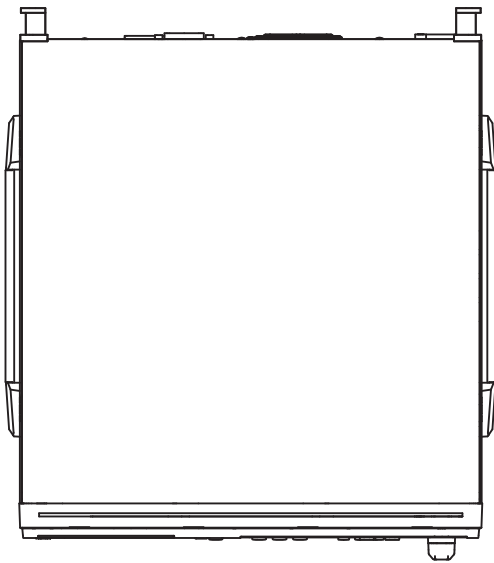


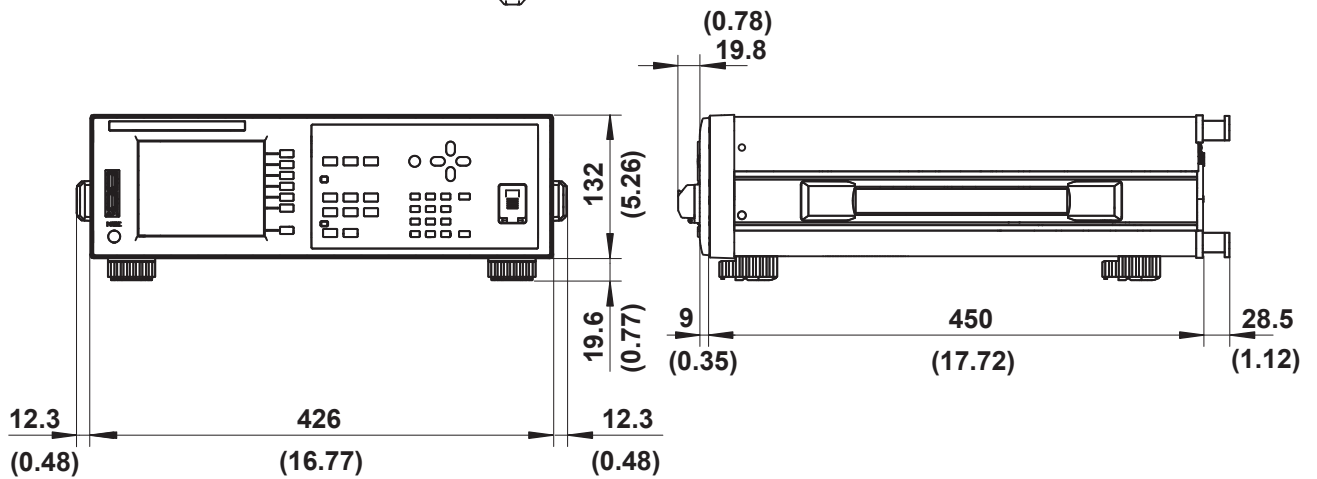
Drawings

AQ6150/AQ6151 Optical Wavelength Meter

Unit: mm
(approx. inch)



Rear view



If not specified, the tolerance is $\pm 3\%$. However, in cases of less than 10 mm, the tolerance is ± 0.3 mm.