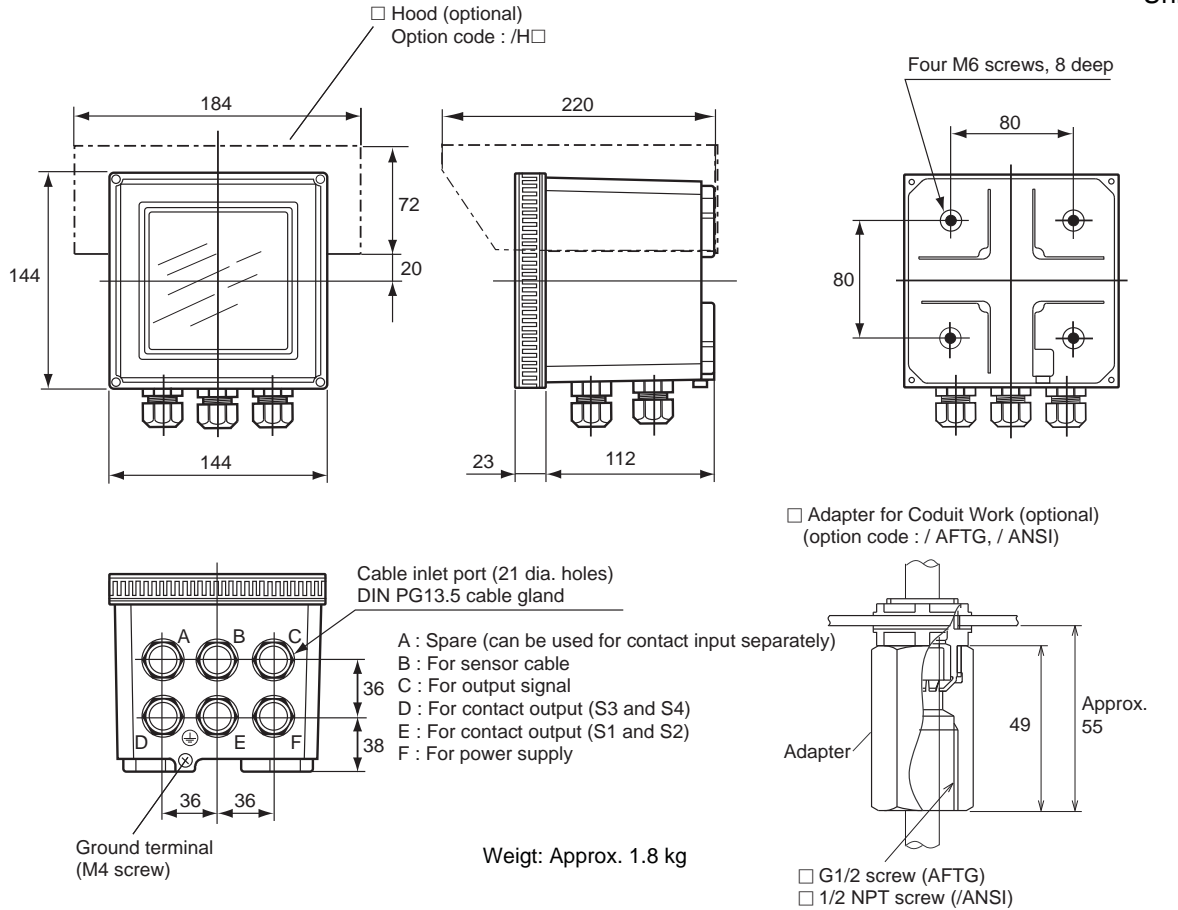
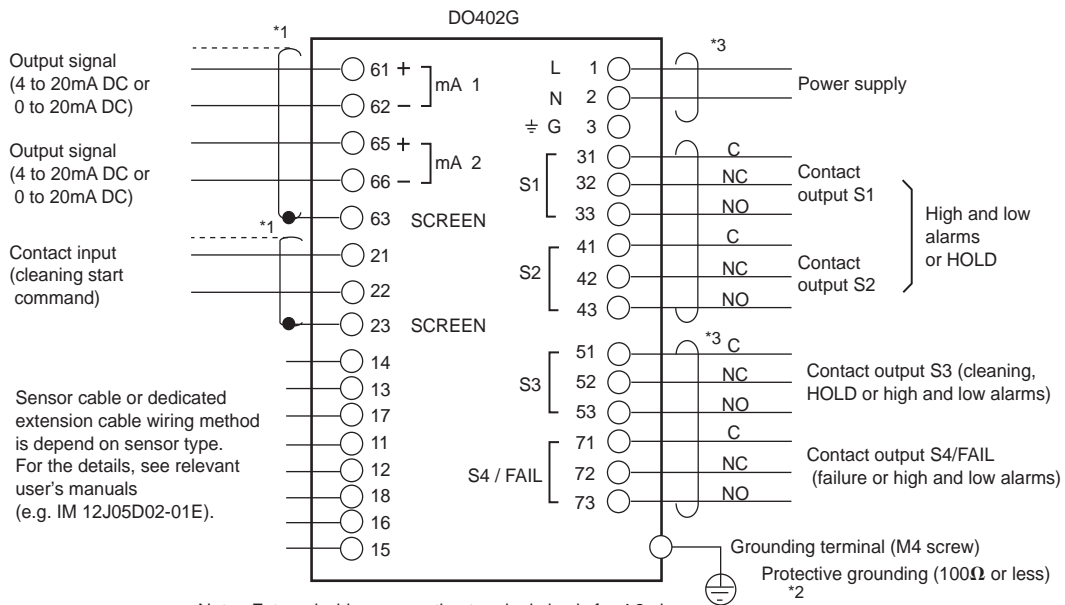


## DO402G [Style: S3] Dissolved Oxygen Converter

Unit : mm

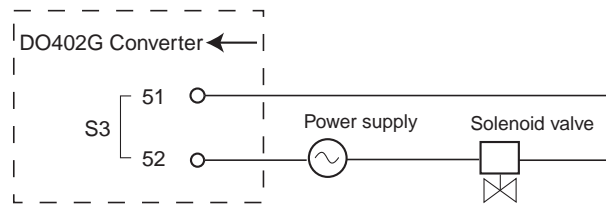


### Wiring



Unless otherwise specified, differences in the dimensions are specified as: General tolerance = ± (Criteria of tolerance class it18 in JIS B0401-1986) / 2.

Wiring to use S3 contact output for cleaning

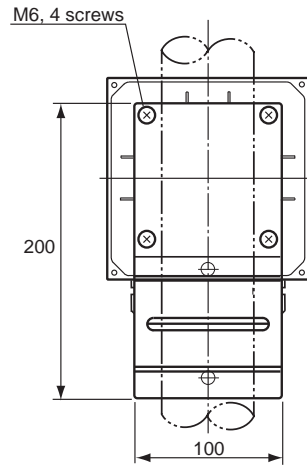
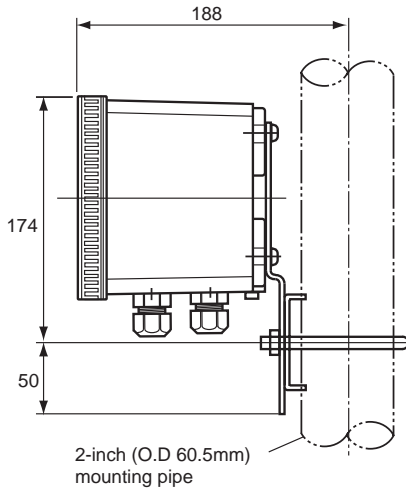


□ Pipe Mounting Bracket / Wall Mounting Bracket (option code : /U)

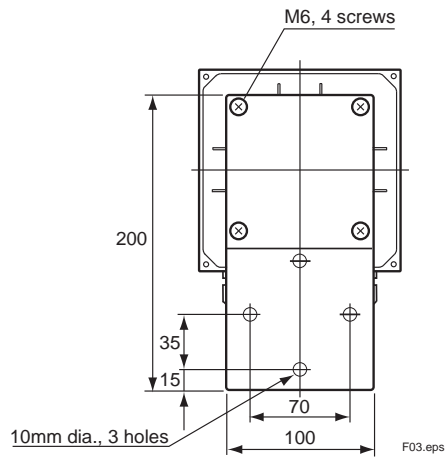
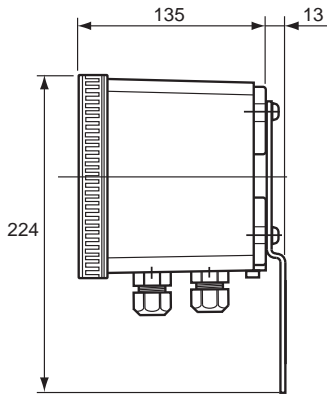
Unit : mm

Weight : Approx. 0.7kg

•Example of bracket used for pipe mounting

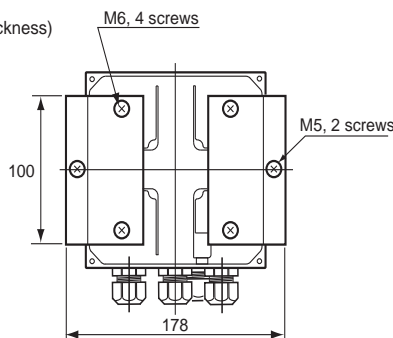
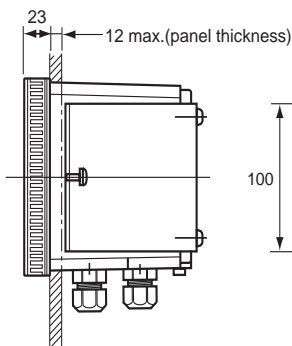


•Example of bracket used for wall mounting

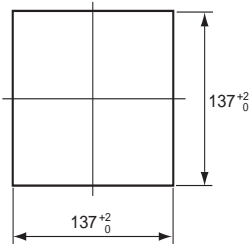


□ Panel Mounting Bracket (option code : / PM)

Weight : Approx. 0.4kg



Panel cutout dimensions



F04.eps