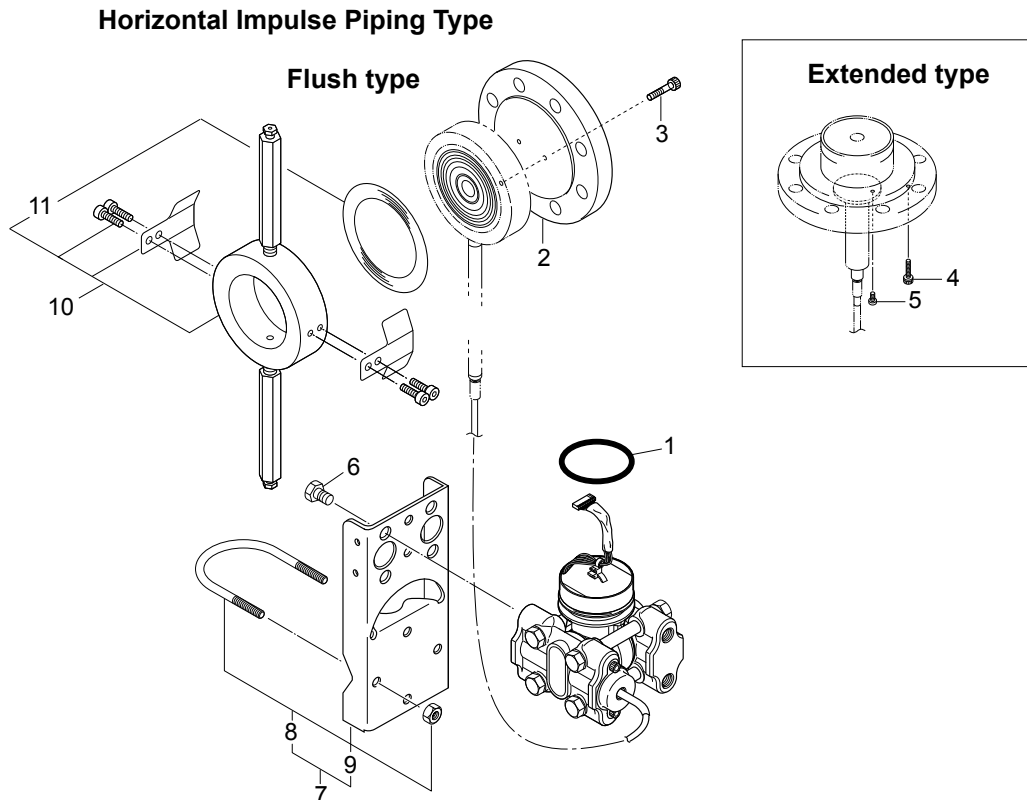


Customer Maintenance Parts List

EJA438E
Diaphragm Sealed
Gauge Pressure Transmitter
(Pressure-detector Section)

DPharp **EJA**TM



| Item | Part No. | Qty | | Description |
|------|---|-----------|--------------|---|
| | | Flush (W) | Extended (E) | |
| 1 | Below F9900GH F9900GT | 1 | 1 | O-ring Buna-N For Option code /HE, Fluoro-rubber |
| 2 | — | 1 | | Flange } See Table 1 Bolt } |
| 3 | — | 2 | | |
| 4 | Below Y9625YU Y9630YU Y9640YU Y9635YU | | 2 | Bolt For JIS 10K For JIS 20K, ANSI Class 150 and JPI Class 150 For JIS 40K, ANSI Class 300 and JPI Class 300 (for Flange Size 100 mm, 4 inch) For JIS 40K, ANSI Class 300 and JPI Class 300 (for Flange Size 80 mm, 3 inch) |
| 5 | Y9612HU | 4 | | Screw, M16 x 12 |
| 6 | Below F9273CZ F9900SH | 4 | 4 | Transmitter mounting bolt SUSXM7 for Mounting bracket code B and D 316 SST for Mounting bracket code J and K |
| 7 | Below F9300TA F9900SA | 1 | 1 | Bracket assembly (Flat type) 304 SST 316 SST |
| 8 | Below D0117XL-A F9900SN | 1 | 1 | U-bolt/nut assembly 304 SST 316 SST |
| 9 | Below F9300TE F9900SB | 1 | 1 | Bracket (Flat type) 304 SST 316 SST |
| 10 | — | 1 | | Ring Assembly (see Table 2) (Note 1) |
| 11 | — | 1 | | Gasket (see Table 3) (Note 1) |

(Note 1) In case of degrease cleansing treatment (Option code /K1, /K2, /K5, or /K6), consult Yokogawa local office.

Table 1. Flange and Bolt Part Number

| Flange Rating | Flange Material (Item 2) | | | Bolt (Item 3) |
|---------------------------|--------------------------|----------------------------|----------------------------|---------------|
| | S25C Carbon Steel | 304 SST Stainless Steel | 316 SST Stainless Steel | |
| 80 mm JIS 10K | F9351KA | F9351GA | F9351WD | Y9525ZU |
| 80 mm JIS 20K | F9351KB | F9351GB | F9351WE | Y9530ZU |
| 80 mm JIS 40K | F9351KC | F9351GC | F9351WF | Y9540ZU |
| 3 inch ANSI Class 150 | F9351KE | F9351GE | F9351WK | Y9530ZU |
| 3 inch ANSI Class 300 | F9351KF | F9351GF | F9351WL | F9347VX |
| 3 inch ANSI Class 600 | F9351KG | F9351GG | F9351WM | Y9545ZU |
| 3 inch JPI Class 150 | F9351KH | F9351GH | F9351WR | Y9530ZU |
| 3 inch JPI Class 300 | F9351KJ | F9351GJ | F9351WS | F9347VX |
| 3 inch JPI Class 600 | F9351KK | F9351GK | F9351WT | Y9545ZU |
| 50 mm JIS 10K | F9351KP | F9351GP | F9351WA | Y9520ZU |
| 50 mm JIS 20K | F9351KQ | F9351GQ | F9351WB | Y9525ZU |
| 50 mm JIS 40K | F9351KR | F9351GR | F9351WC | Y9530ZU |
| 2 inch ANSI Class 150 | F9351KT | F9351GT | F9351WG | Y9525ZU |
| 2 inch ANSI Class 300 | F9351KU | F9351GU | F9351WH | Y9530ZU |
| 2 inch ANSI Class 600 | F9351KV | F9351GV | F9351WJ | F9347VX |
| 2 inch JPI Class 150 | F9351KW | F9351GW | F9351WN | Y9525ZU |
| 2 inch JPI Class 300 | F9351KX | F9351GX | F9351WP | Y9530ZU |
| 2 inch JPI Class 600 | F9351KY | F9351GY | F9351WQ | F9347VX |
| 40 mm JIS 10K | F9351LC | F9351HC | F9351UA | Y9520ZU |
| 40 mm JIS 20K | F9351LD | F9351HD | F9351UB | Y9525ZU |
| 40 mm JIS 40K | F9351LE | F9351HE | F9351UC | Y9530ZU |
| 1 1/2 inch ANSI Class 150 | F9351LG | F9351HG | F9351UE | Y9525ZU |
| 1 1/2 inch ANSI Class 300 | F9351LH | F9351HH | F9351UF | Y9525ZU |
| 1 1/2 inch ANSI Class 600 | F9351LJ | F9351HJ | F9351UG | F9347VX |
| 1 1/2 inch JPI Class 150 | F9351LK | F9351HK | F9351UH | Y9525ZU |
| 1 1/2 inch JPI Class 300 | F9351LL | F9351HL | F9351UJ | Y9525ZU |
| 1 1/2 inch JPI Class 600 | F9351LM | F9351HM | F9351UK | F9347VX |

Table 2. Ring Assembly Part Number (Note 2)

| Flange Size | Standard | Drain/Vent Plug | Gasket Contact Surface | Part Number (Item 12) |
|-------------------|---------------------------|----------------------------|---|-------------------------------|
| 3 inch (80mm) | JIS / JPI ANSI ANSI | R1/4 1/4 NPT 1/4 NPT | Flat (no serration) Flat (no serration) Serration | F9970WA F9970WB F9350TV |
| 2 inch (50mm) | JIS / JPI ANSI ANSI | R1/4 1/4 NPT 1/4 NPT | Flat (no serration) Flat (no serration) Serration | F9970WC F9970WD F9350TT |
| 1 1/2 inch (40mm) | JIS / JPI ANSI ANSI | R1/4 1/4 NPT 1/4 NPT | Flat (no serration) Flat (no serration) Serration | F9970WE F9970WG F9970WF |

(Note 2) It consists of a ring, vents, holders, screws, and a gasket.

Table 3. Gaske Part Numbert

| Gasket Size | Description | Part Number (Item 13) |
|---|--|--------------------------|
| $\phi 100 \times \phi 120 \times t 4.5$ | For Flange size 3 inch (80mm) For Flange size 3 inch (80mm) , degreased | F9350SV F9970XF |
| $\phi 70 \times \phi 90 \times t 4.5$ | For Flange size 2 inch (50mm) For Flange size 2 inch (50mm) , degreased | F9350ST F9970XD |
| $\phi 60 \times \phi 75 \times t 4.5$ | For Flange size 1 1/2 inch (40mm) For Flange size 1 1/2 inch (40mm) , degreased | F9346ZH F9970XB |