

CONTENTS

■	What Is HART Communication?	2
■	Downloading and installing DD files	2
●	Before using FieldMate.....	2
●	Installing the DD File	3
●	Connecting Setup Tool	4
■	Functions Available via HART Communication.....	4
●	Unique Features of HART Communication	5
■	Setting Non-Available via HART Communication	7
■	Operational Precaution.....	7
●	Setting on the FLXA202/FLXA21 and a setup tool (communication tool):	7
●	Operation with handling all the parameters of the FLXA202/FLXA21:	7
■	Note for Functions.....	7
●	Hold status signal:	7
■	DD Menu Structure for pH Meter Functions (Device revision 2, DD file revision 1).....	8
■	DD Menu Structure for SC Meter Functions (Device revision 2, DD file revision 1).....	11
■	DD Menu Structure for ISC Meter Functions (Device revision 2, DD file revision 1).....	14
■	DD Menu Structure for DO Meter Functions (Device revision 2, DD file revision 1).....	17
■	DD Menu Structure for SENCOM Meter Functions (Device revision 2, DD file revision 1).....	20
	Revision Information.....	24

This document describes HART communication by the FLXA202/FLXA21 2-wire liquid analyzer.

Before communicating using the HART protocol, refer to the User's Manual for the FLXA202/FLXA21 2-wire analyzer (IM 12A01A02-01E) for details of the parameters.

HART is a registered trademark of the HART Communication Foundation.

■ What Is HART Communication?

HART Communication superimposes specific waveforms called HART Communication waveforms on the 4–20 mA analog signal from a FLXA202/FLXA21 to enable remote intercommunication between the online FLXA202/FLXA21 and a setup tool (*).

*: FieldMate, Plant Resource Manager (PRM), or a handheld HART communicator such as the 375 Field Communicator may be used as the setup tool.

Note: When using FieldMate or a 375 Field Communicator, make sure you use the following versions or later:

FieldMate:

FieldMate R2.02.00 + Device Files R3.01.01

375 Field Communicator

System Software Version : 3.2

CDC Firmware Version : 1.17

Operating System : 4.48

BIOS : 7.17

Koala Version : 3.9

CPU Board Version : 1.3

Baseboard Version : 2.0

■ Downloading and installing DD files

To enable HART communication between a FLXA202/FLXA21 and setup tool, the device description (DD) file of the FLXA202/FLXA21 needs to be installed in the setup tool. The DD file contains the HART communication details and menu configurations specific to the FLXA202/FLXA21.

FieldMate contains the latest versions of DD files at the time when sold. When using FieldMate, the latest DD files updated since you purchased the product can be downloaded from the following sites (*):

- Yokogawa homepage: <http://www.yokogawa.com/an/download/an-dl-fieldbus-001en.htm>

*: This address is subject to change without prior notice. If the above address cannot be accessed, consult your nearest sales office or the agency from which you purchased the product.

● Before using FieldMate

Before using FieldMate, check the revision of Device Files.


- Compatibility among revisions of FLXA202/FLXA21, FieldMate and DD file

Device	HOUSING ASSY		FieldMate		DD of Field Communicator		
	Software revision	Device revision	Revision of Device Files	DD file revision in Device Files	Corresponding device revision	DD file revision	
FLXA21	1.20 or earlier	1	R3.01 or later	1	1	1, 2	
FLXA21	1.21 or later	2	R3.05 or later *	1	2	2	
FLXA202/ FLXA21	PH SC, ISC, DO	2.11 or later		2	5	2	5
					3		3

*: This revision of Device Files can be used with the FLXA202, but the device name will be displayed as FLXA21. Device Files for the FLXA202 are planned to be released in December 2015.

- History of DD file

Corresponding device revision	DD file revision	Description	
1	1	1st edition. Download from the website of Yokogawa.	
	2	Limited-function edition. Download from the website of the HART Communication Foundation.	
2	1	1st edition for Device revision 2. Device Files R3.05 supports this edition.	
	2	Added-function edition for Device revision 2. Download from the website of Yokogawa.	
	PH	3	SENCOM-adaptive edition. Download from the website of Yokogawa.
		4	SENCOM-adaptive edition. Download from the website of the HART Communication Foundation.
		5	FLXA202/FLXA21-adaptive edition. Download from the website of Yokogawa.
		6	FLXA202/FLXA21-adaptive edition. Download from the website of the HART Communication Foundation.
	SC, ISC, DO	3	FLXA202/FLXA21-adaptive edition. Download from the website of Yokogawa.
		4	FLXA202/FLXA21-adaptive edition. Download from the website of the HART Communication Foundation.

The software revision and the device revision are shown on the display of HOUSING ASSY (Figure 1) of the ZOOM display which is introduced by pressing the  on the main display of FLXA202/FLXA21.

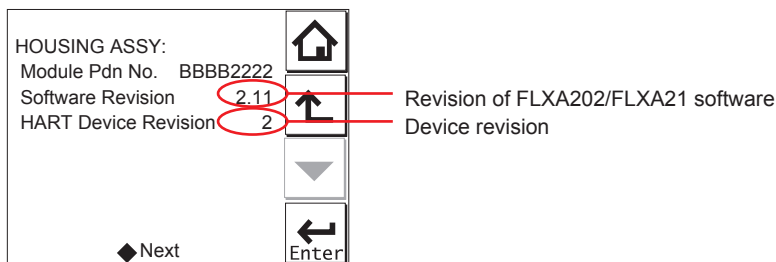


Figure 1 Software Revision

- Installing the DD File

For how to install the DD file, see the respective documentation for the setup tool you use. The following shows how to install the latest DD file in the Yokogawa setup tool, FieldMate, for example.

Note that the following descriptions assume installation in FieldMate R2.02.00. If the version is upgraded later, the following descriptions may not match. In this case, please see the latest documentation for FieldMate.

Obtaining and decompressing the DD file

Download the DD file from the Internet homepage of Yokogawa. DD files are downloadable as ZIP files (when downloading from the homepage of HART Communication Foundation, a compressed DD file will be downloaded with the name of dd.zip).

The ZIP file contains a folder named 000037, which in turn contains the folders named 0058 for pH, ORP, and SENCOM, 0059 for SC, 005a for ISC, and 005b for DO.

Installing the Device Descriptions (DDs) file of FieldMate

Install the latest DD files you obtained by following the instruction described in the manual of FieldMate.

Precaution on DD file revision and device revision

When using HART communication of a FLXA202/FLXA21, it is necessary to use the DD file that matches the revision of the FLXA202/FLXA21 device used. Make sure to check they match before use, as follows.

(1) Checking the FLXA202/FLXA21 device revision

Call up the detailed settings screen on the front display panel or access the Zoom display on the setup tool.

Select "HOUSING ASSY".

The device revision number will be displayed as Hart Device Revision.

(2) Checking the DD file revision

DD files are stored with filenames beginning with a four-digit number such as 0102.xxxdd.

The first two digits, 01 in the example above, indicate the device revision. The following two digits, 02 in the example above, indicate the DD revision.

Use the latest revision of the DD file that matches the device revision.

● Connecting Setup Tool

You can connect the setup tool to any interconnection terminals such as those in the central control room, a converter's junction box, or somewhere within the transmission loop as long as the load resistance between the power supply and the terminals to which you want to connect the setup tool is 250 ohms or larger. Connect the setup tool in parallel with the load resistance. It is polarity-insensitive.

■ Functions Available via HART Communication

Almost all FLXA202/FLXA21 functions accessible via the front panel display of the FLXA202/FLXA21 are available via HART communication. For details of the functions, see the descriptions for panel display contents. Some functions, however, are not available via HART communication, and some are available only via HART communication.

Correspondences between menu structure and FLXA202/FLXA21 front panel display

Online

+– sensor 1	Shows the information of the Slot 1 sensor in FLXA202/FLXA21.
+– zoom	Shows the details of the FLXA202/FLXA21.
+– Execute	Executes functions such as calibration.
+– Setup	Shows setups of the FLXA202/FLXA21.
+– Alarm	Displays alarms.
+– Forward Cal. Data	Sets the backup calibration data in the sensor.
+– sensor 2	Shows the information of the Slot 2 sensor in FLXA202/FLXA21 (the menu structure is the same as under Sensor1).
+–Process Value	Shows the measured process values (PV, SV, TV, and FT).
+– Basic Setup	Shows the basic HART device information.
+– Device Information	Shows the device information.
+– Loop Test	Carries out analog output tests.
+– Review	Shows the basic HART device parameters.

● Unique Features of HART Communication

(1) Multi-drop mode

Up to 15 field devices put in multi-drop mode can be connected in parallel on a single twisted-pair cable. To enable the multi-drop mode, set the device address to a unique number from 1 to 15.

Enabling the multi-drop mode fixes the outputs of the corresponding field devices to 4 mA DC and thus disables the 4–20 mA analog output signals as well as burn-out outputs.

NOTE

When the FLXA202/FLXA21 is used in the multi-drop mode, the output signal is changed from 12.5 mA DC to 4 mA DC just after the power is turned on. Enough power supply for the instruments is to be provided.

NOTE

Multi-drop mode communication requires the devices on the link to be given unique device addresses for polling (polling addresses). If the same address is set in two or more devices, correct communication is disabled.

Communication actions in multi-drop mode:

- a. To use multi-drop mode communication, an address needs to be set for each device for polling. To enable searching for the devices working in the multi-drop mode, setup tools usually require search address settings, too.
- b. When the HART setup tool starts or carries out a device search, it searches through device addresses that should be set uniquely. The tool then shows a list of devices thus searched by polling address, allowing for communication with selected devices.
- c. To add a device and enable communication with it, restart the setup tool or carry out a device search to make the tool recognize the added device.

Canceling multi-drop mode:

To release a device from the multi-drop mode, set the polling address to zero.

(2) Burst mode

Burst mode allows a field device to be configured to transmit digital process values (selected from the PV, output percent, and 4–20 mA output) continuously three times every second. Burst mode can be initiated from a HART setup tool. In order to use burst mode, however, the setup tool and receiver equipment such as a distributed control system must support burst mode.

Burst mode is set in the following menu.

```

Online
  +- Sensor 1
    +- Setup
      +- Commissioning
        +- Advanced Setup
          +- Communication
  
```

(3) Physical write-protect

The FLXA202/FLXA21 has two switches for physical write-protection on the back side of the display. Setting two switches to ON position prevents the settings from being changed via HART communication.

Write-protect switch

The FLXA202/FLXA21 has a write-protect switch for HART communication.

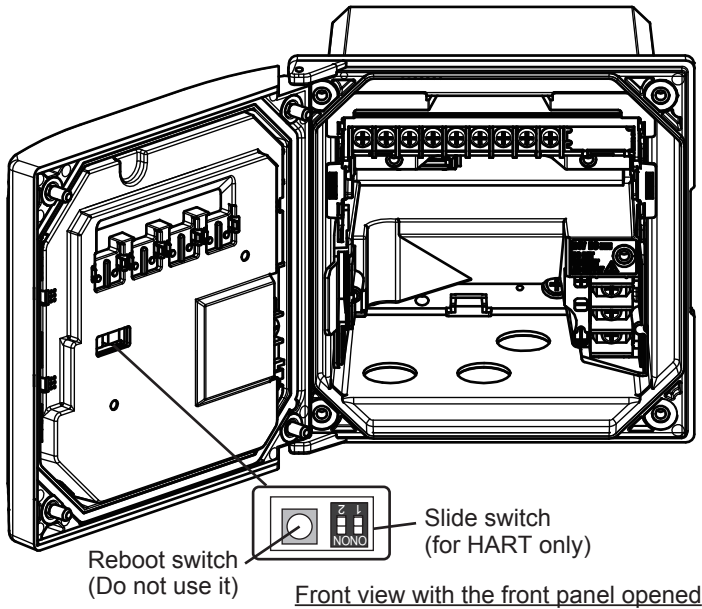


Figure 2 FLXA202 Parts names and descriptions

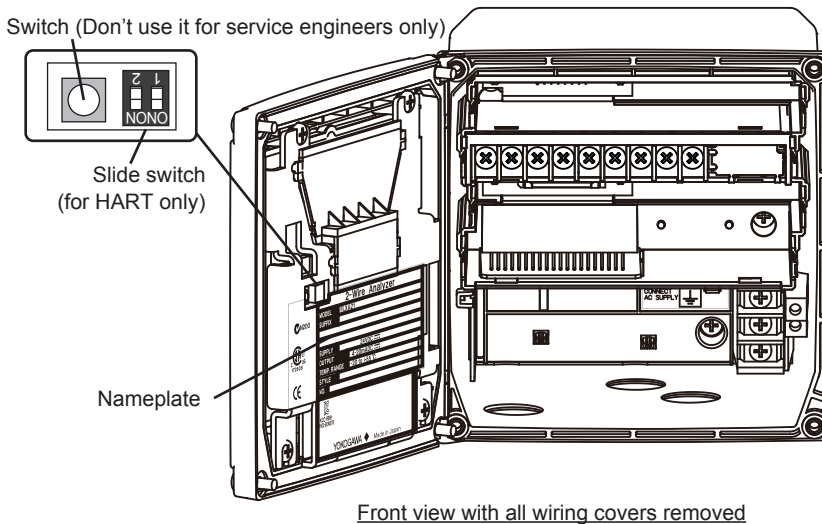


Fig 01.ai

Figure 3 FLXA21 Parts names and descriptions

Turning those slide switches ON disable the setting via HART communication (default: OFF).

NOTE

Don't push the button switch next to the two slide switches, when these switches are set to ON or set to OFF.

■ Setting Non-Available via HART Communication

The following FLXA202/FLXA21 settings cannot be done via HART communication:

- Changes to matrix information
- pH Manual 3Pt
- pH Automatic 3Pt
- pH Automatic ITP
- ORP Manual 2Pt
- rH Manual 2Pt
- Manual wash (PH, DO)
- Changes to settings for communication with PH201G
- Changes to settings for temperature coefficient (TC) factor. (Note)
- Changes to settings for heat cycle temperature. (Note)

Note: This cannot be set with "-J" (use in Japan) in Country Suffix Code.
However, Device revision 2 or later and DD revision 2 or later allow this setting even with "-J".

■ Operational Precaution

● Setting on the FLXA202/FLXA21 and a setup tool (communication tool):

When settings are done on a setup tool (ex. FieldMate), don't perform settings on the FLXA202/FLXA21 at the same time.

● Operation with handling all the parameters of the FLXA202/FLXA21:

For the operation with handling all the parameters, like print-out of parameters, uploading, downloading etc, it takes a few minutes, because the FLXA202/FLXA21 has a lot of parameters.

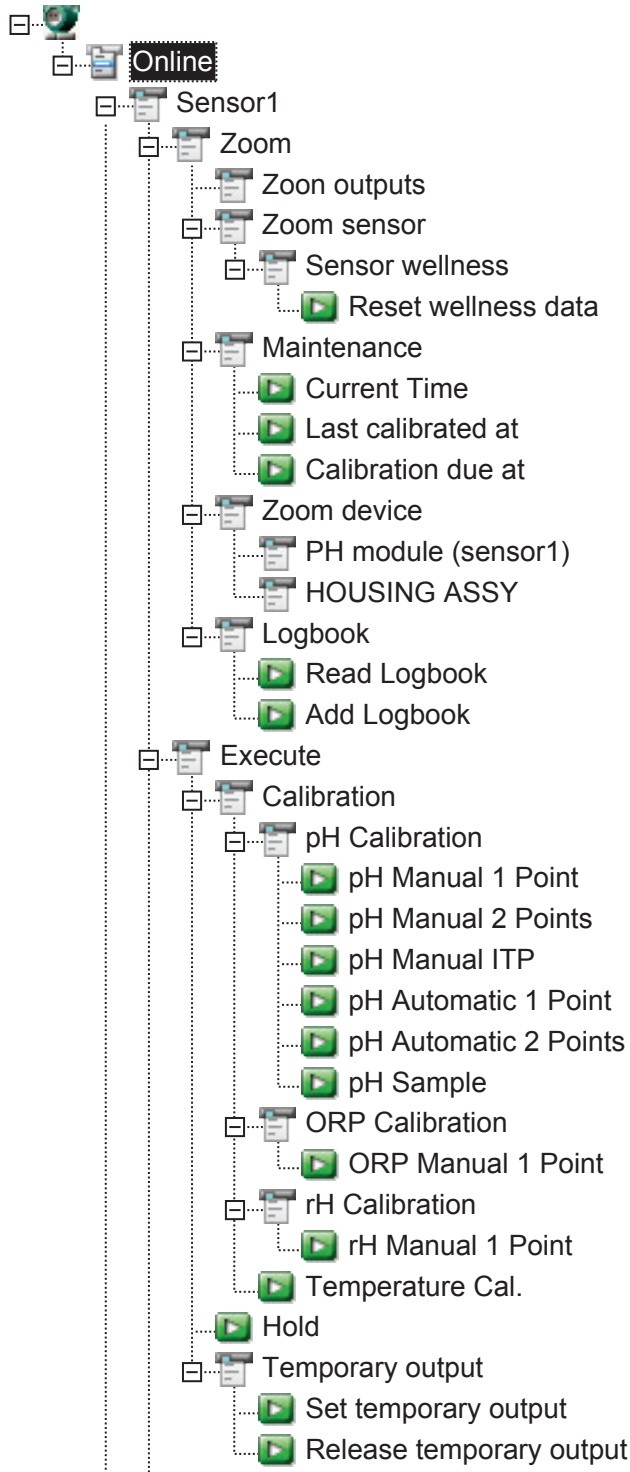
■ Note for Functions

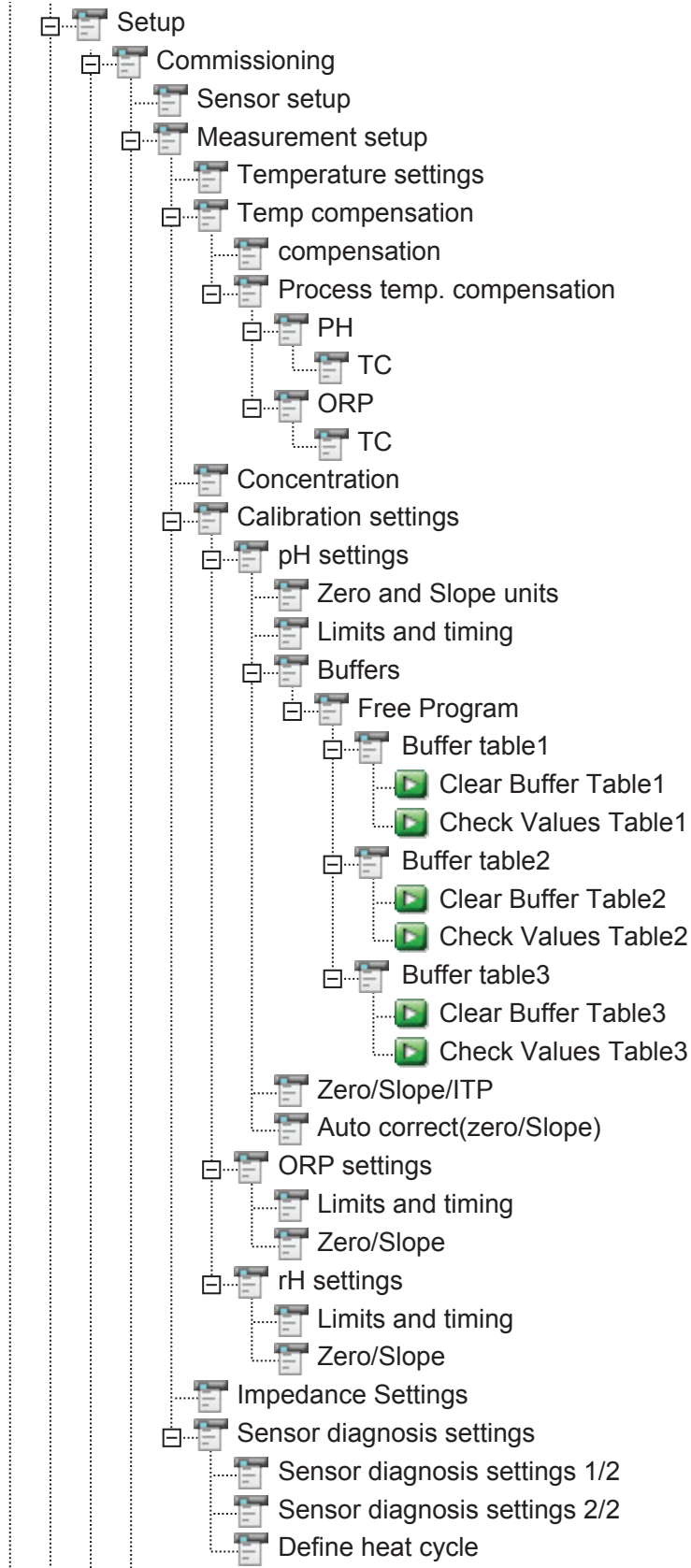
● Hold status signal:

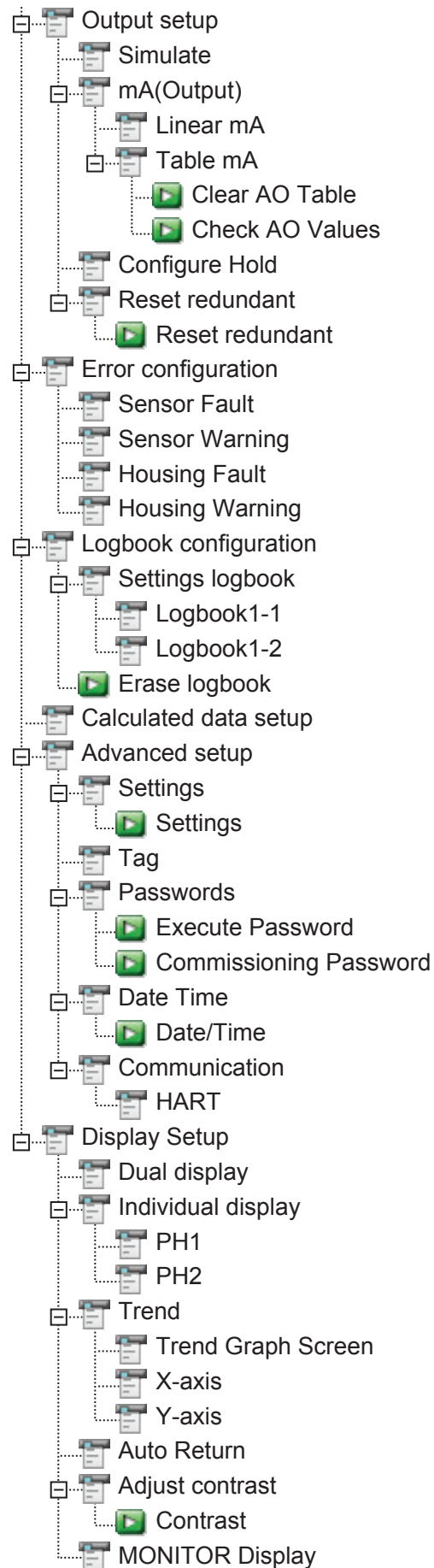
The FLXA21 has the status button of Hold on the display (Main display or Home display). (Refer to the section 1.3) This Hold status is available as a parameter on the HART communication. This parameter is in the following menu of the each measurement DD menu structure;

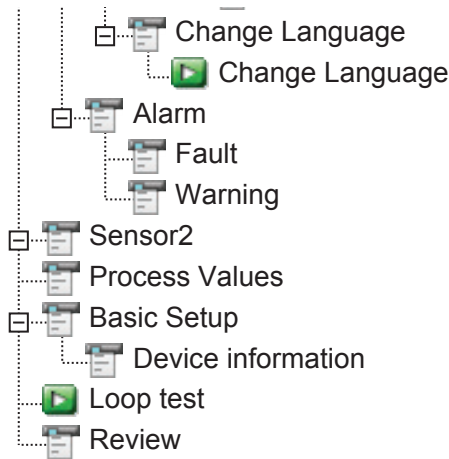
Sensor1(or 2) – Zoom – Zoom outputs – mA value
└ HOLD

**■ DD Menu Structure for pH Meter Functions
(Device revision 2, DD file revision 1)**





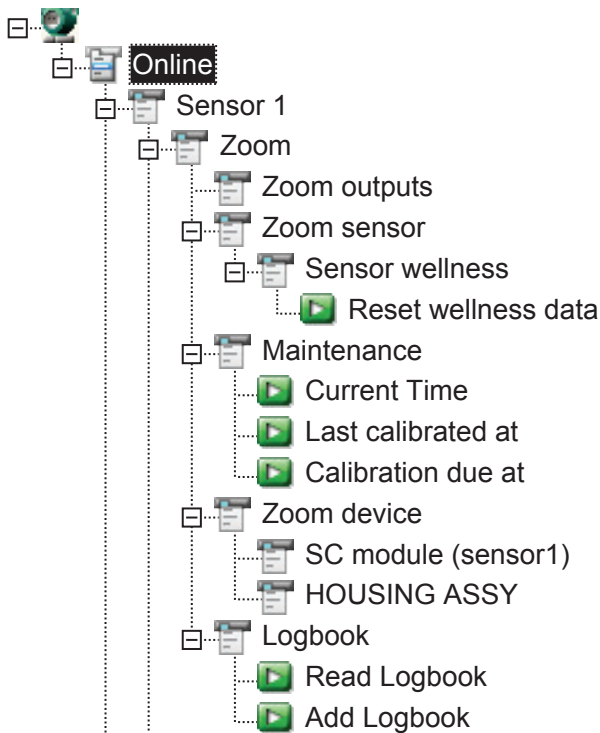


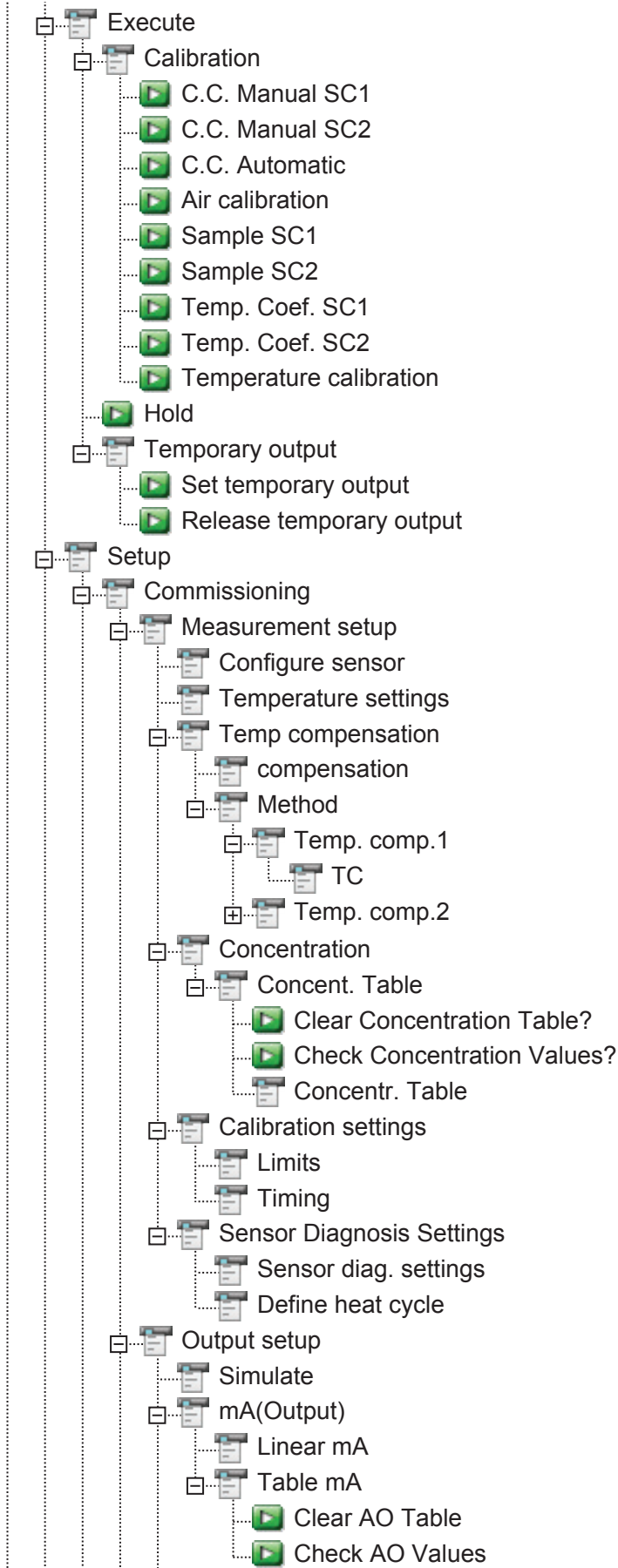


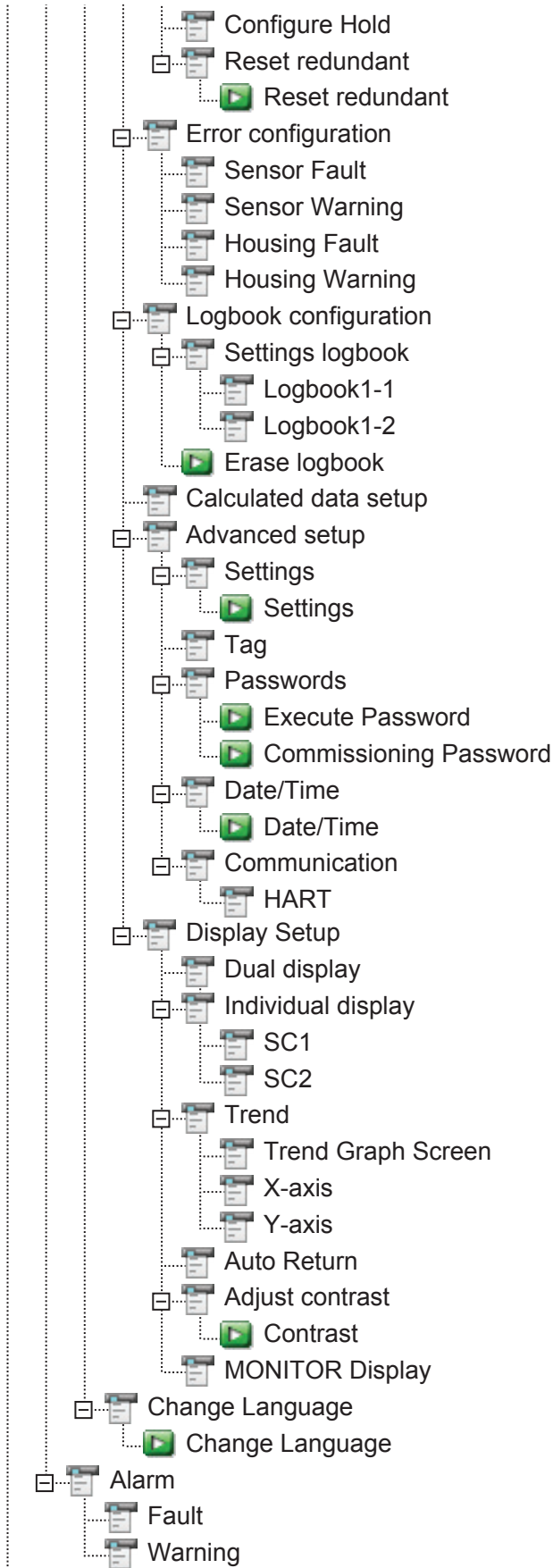
NOTE

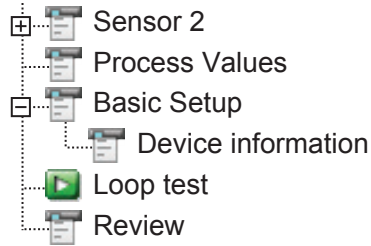
In the Device Type Manager (DTM) of FieldMate, the Sensor Wellness menu and Alarm menu are below the Diagnosis menu.

■ DD Menu Structure for SC Meter Functions (Device revision 2, DD file revision 1)





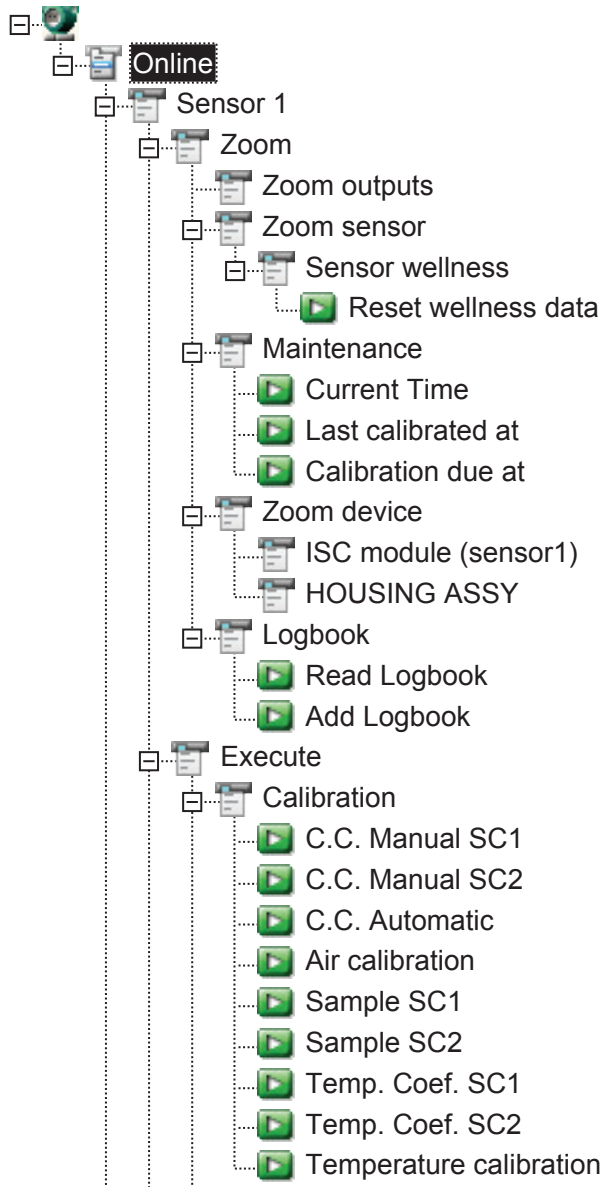


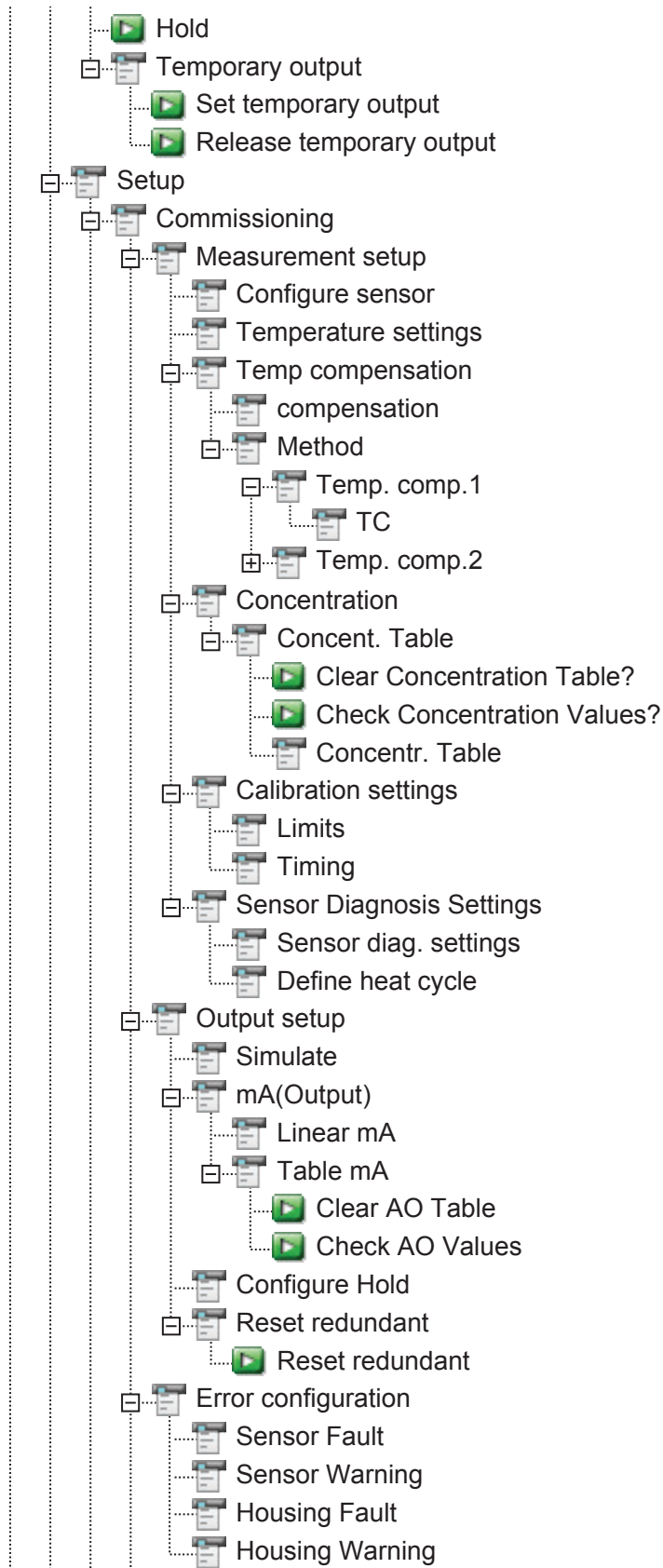


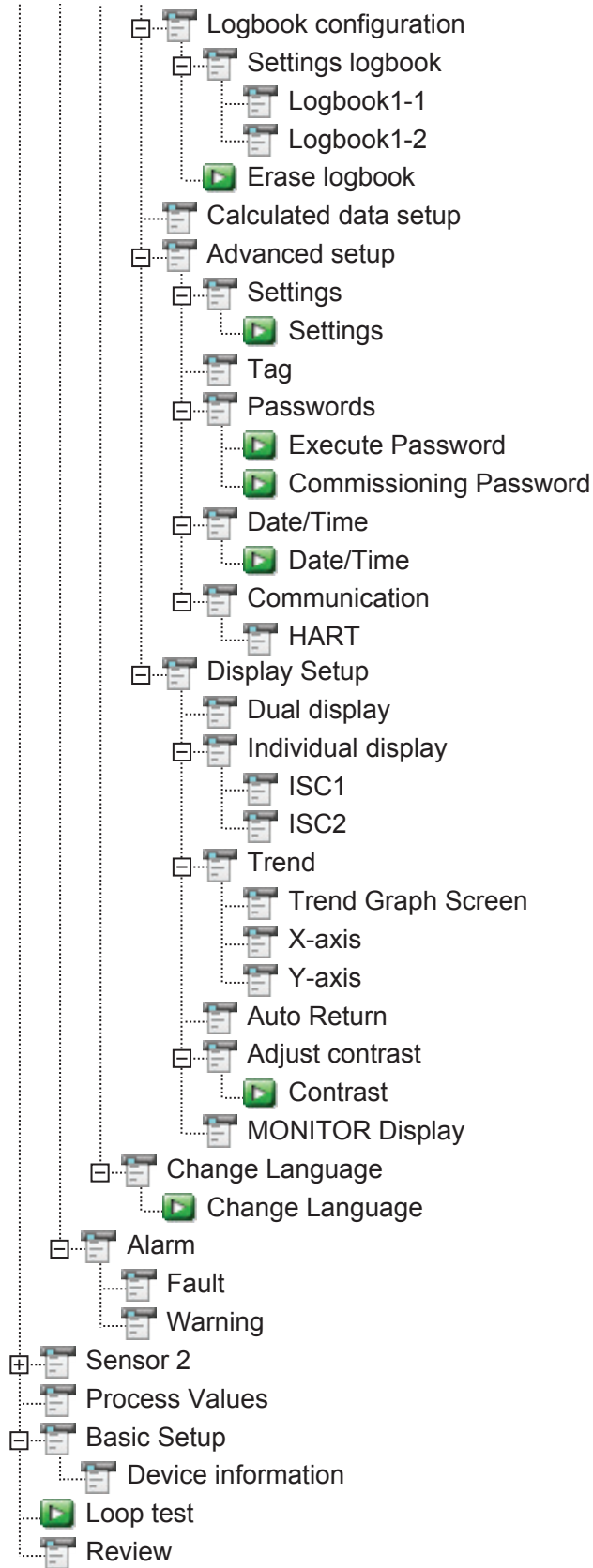
NOTE

In the Device Type Manager (DTM) of FieldMate, the Sensor Wellness menu and Alarm menu are below the Diagnosis menu.

■ DD Menu Structure for ISC Meter Functions (Device revision 2, DD file revision 1)

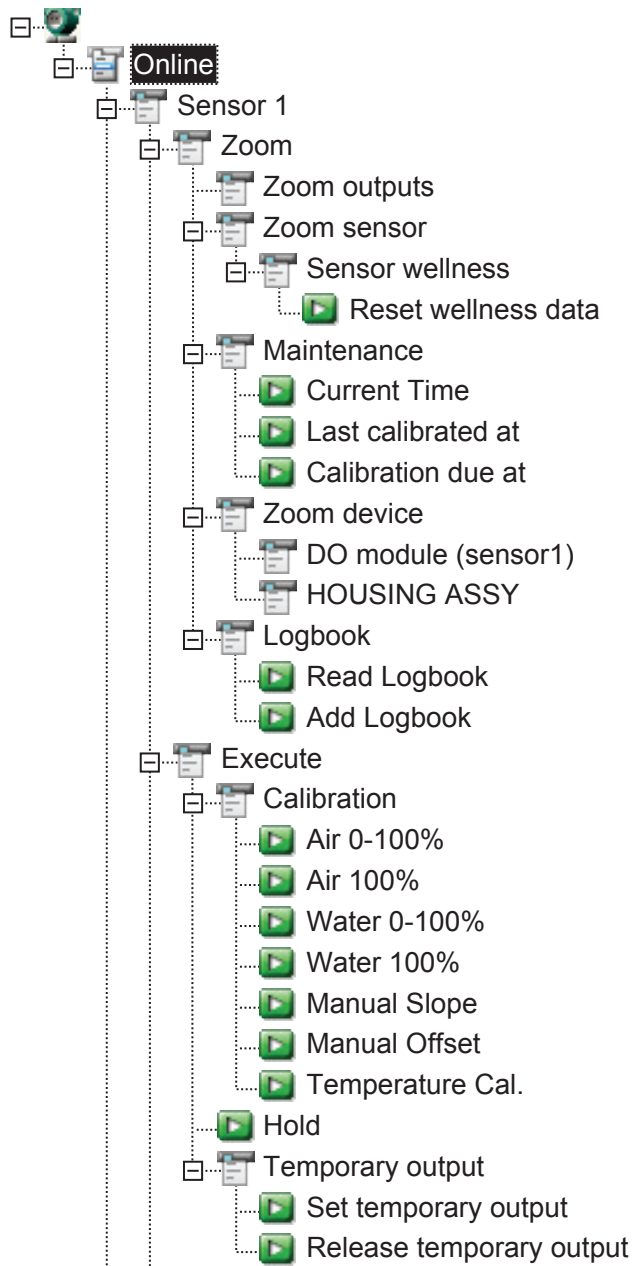


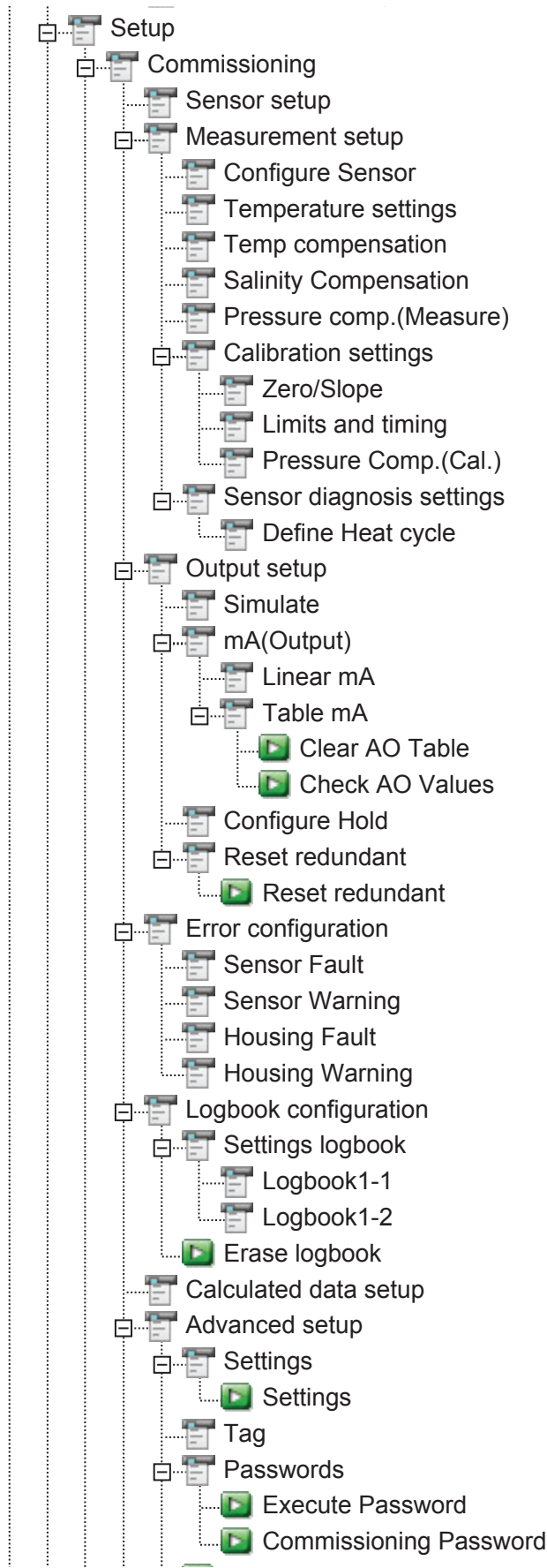


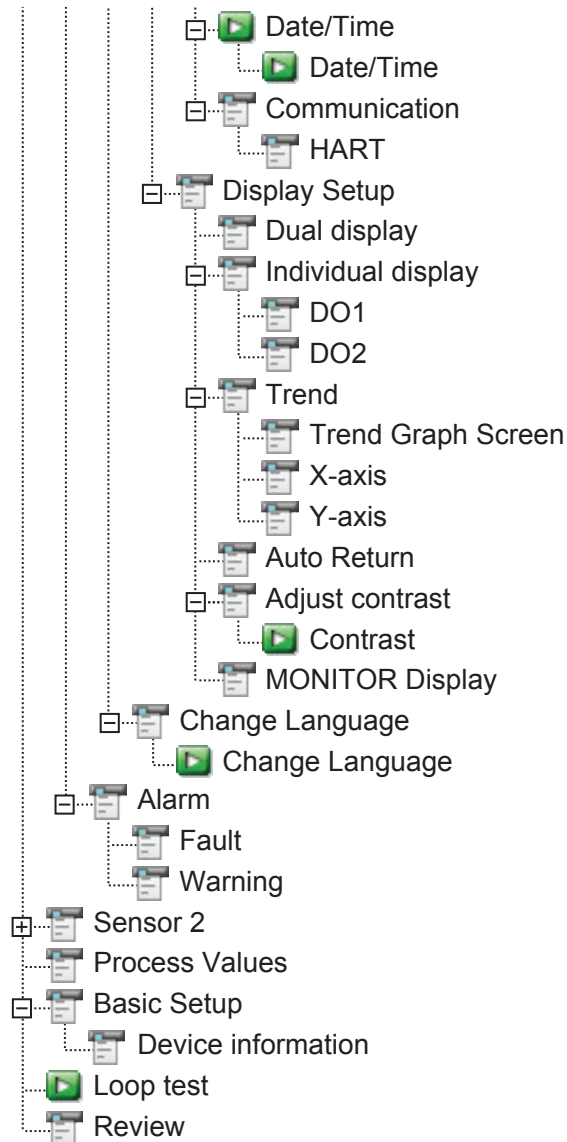


NOTE

In the Device Type Manager (DTM) of FieldMate, the Sensor Wellness menu and Alarm menu are below the Diagnosis menu.

**■ DD Menu Structure for DO Meter Functions
(Device revision 2, DD file revision 1)**

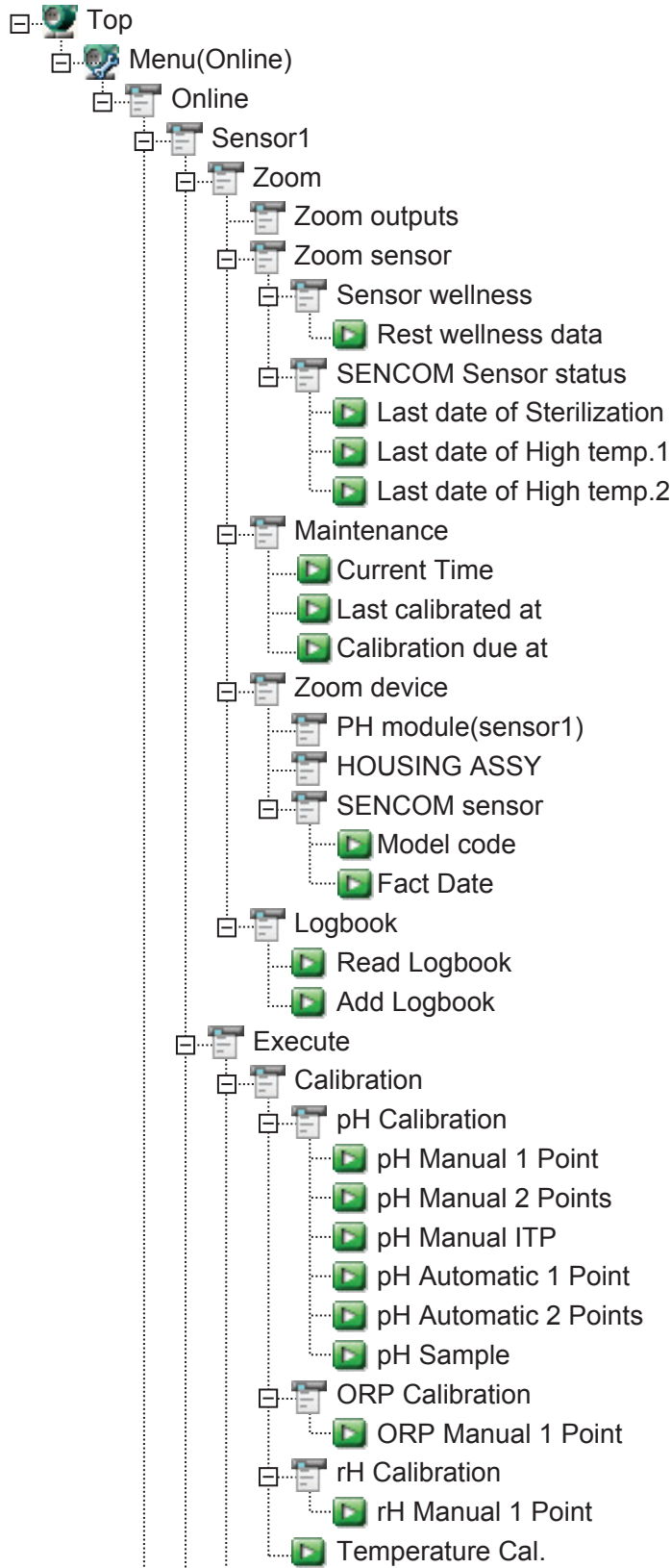


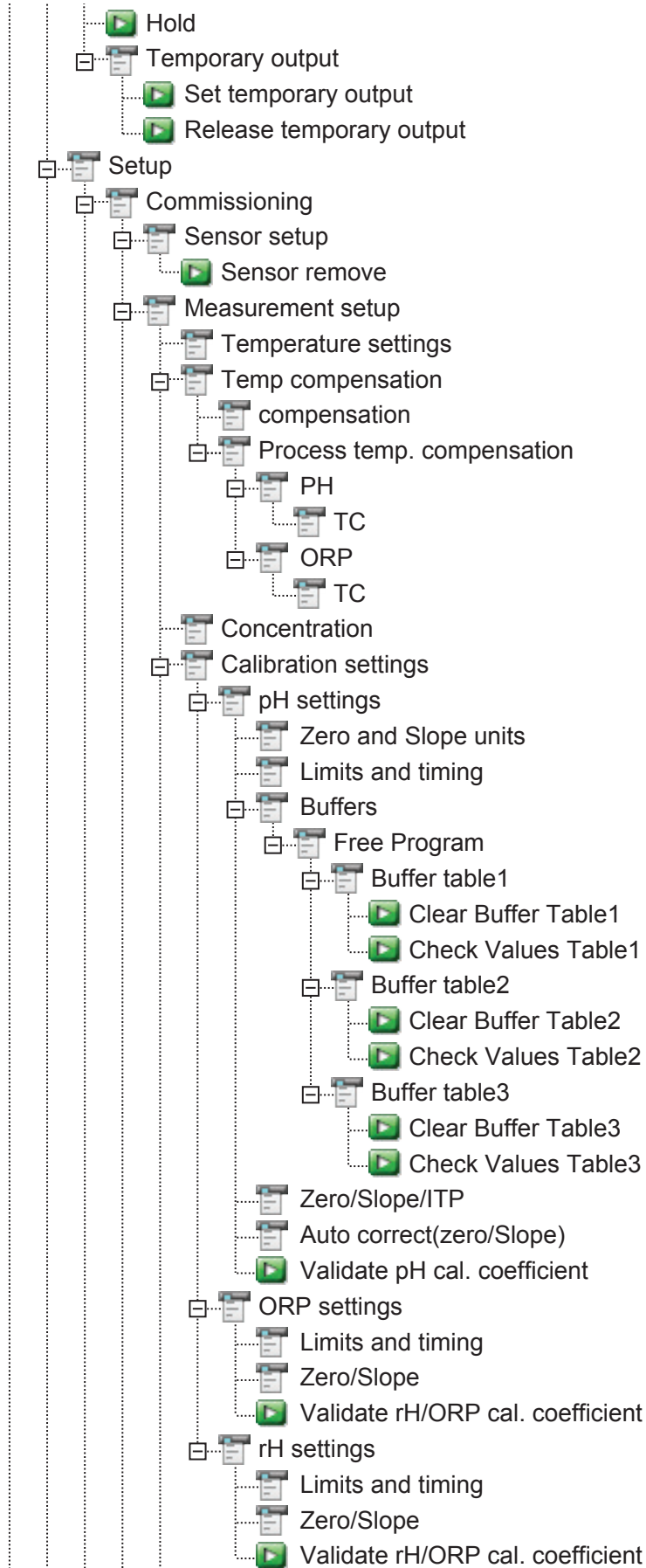


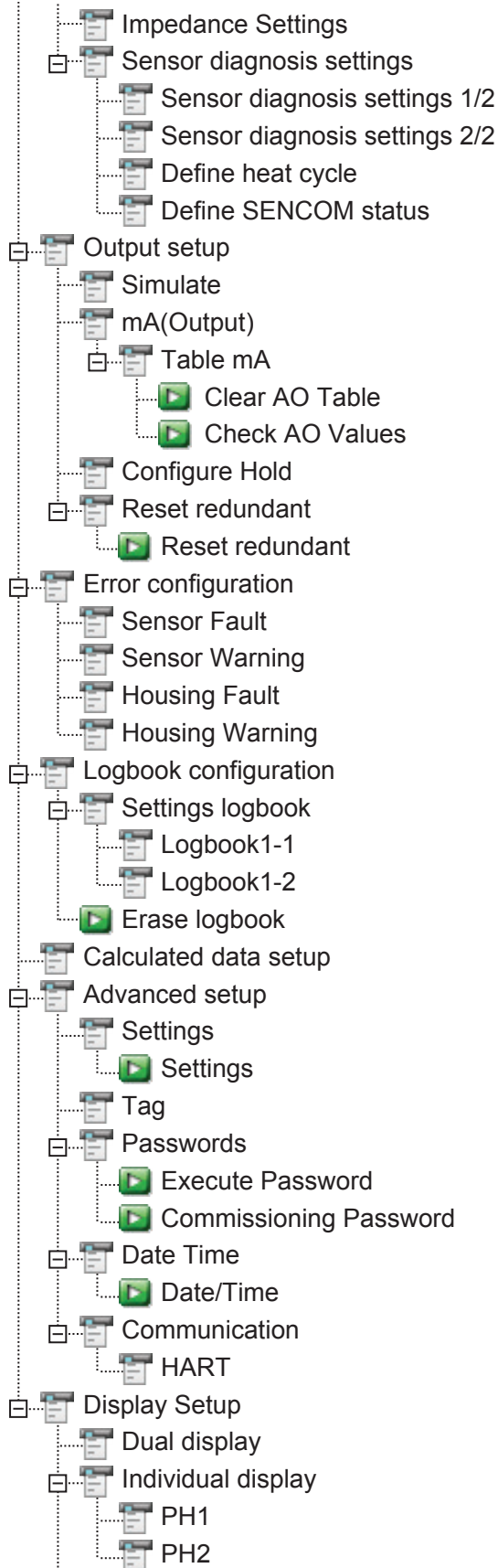
NOTE

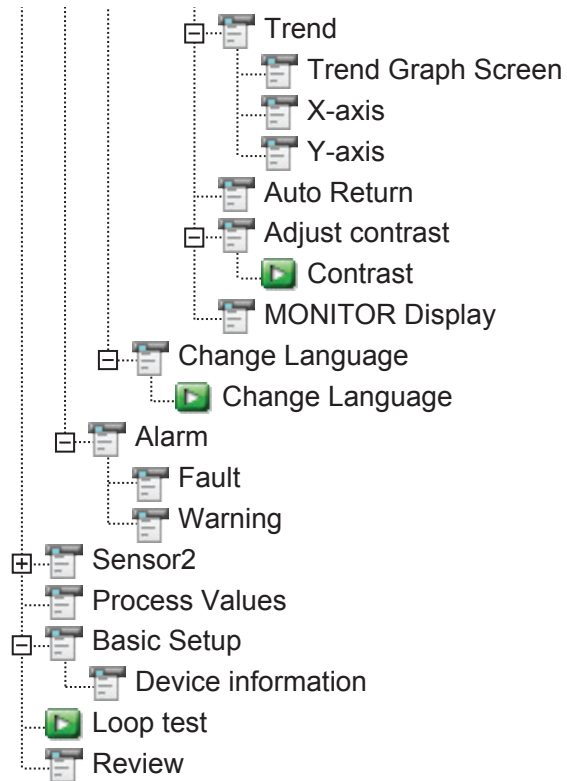
In the Device Type Manager (DTM) of FieldMate, the Sensor Wellness menu and Alarm menu are below the Diagnosis menu.

**■ DD Menu Structure for SENCOM Meter Functions
(Device revision 2, DD file revision 1)**









NOTE

In the Device Type Manager (DTM) of FieldMate, the Sensor Wellness menu and Alarm menu are below the Diagnosis menu.

Revision Information

Title : FLXA202/FLXA21 2-Wire Analyzer HART Communication

Manual number : TI 12A01A02-60E

Jun. 2017/4th Edition

Correction (Page 3, Installing the Device Descriptions (DDs) file of FieldMate)

Sep. 2015/3rd Edition

Addition of FLXA202

Sep. 2013/2nd Edition

Addition of SENCOM

July 2013/1st Edition

Newly published (based on Appendix 4 of IM 12A01A02-01E 3rd Edition)

-
- If you want have more information about Yokogawa products, you can visit Yokogawa's homepage at the following web site.

Homepage: <http://www.yokogawa.com/an/>

- Written by Analytical Products Marketing Dept.
Yokogawa Electric Corporation

Published by Yokogawa Electric Corporation
2-9-32 Nakacho, Musashino-shi, Tokyo 180-8750, JAPAN

Printed by KOHOKU PUBLISHING & PRINTING INC.
