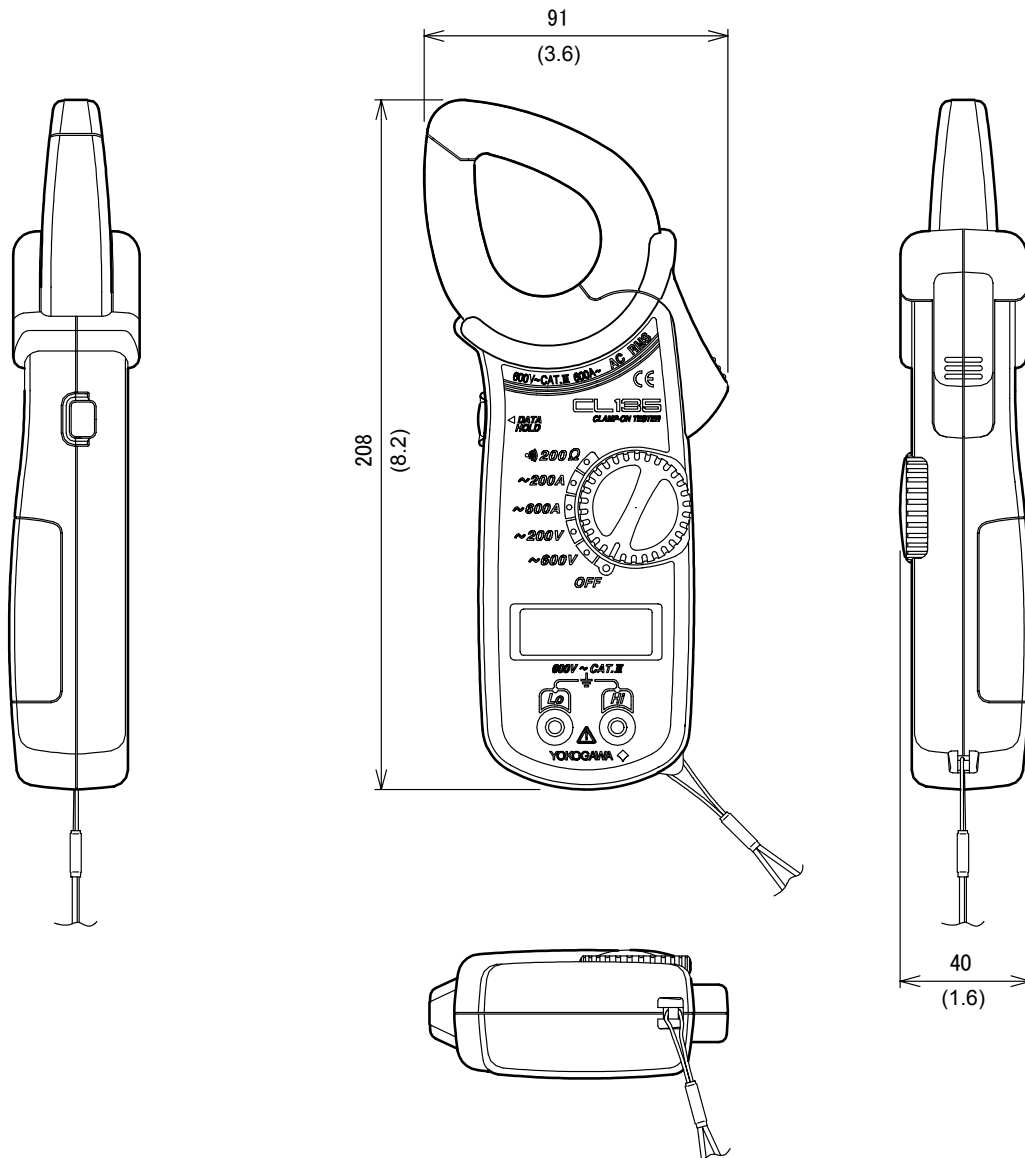


Drawings

CL130/CL135 Clamp-on Tester

Unit : mm
(approx. inch)

<Dimensions>



Weight: approx. 400g
(including a battery)

Note: This figure shows the CL135, but there is no difference in exterior from the CL130.