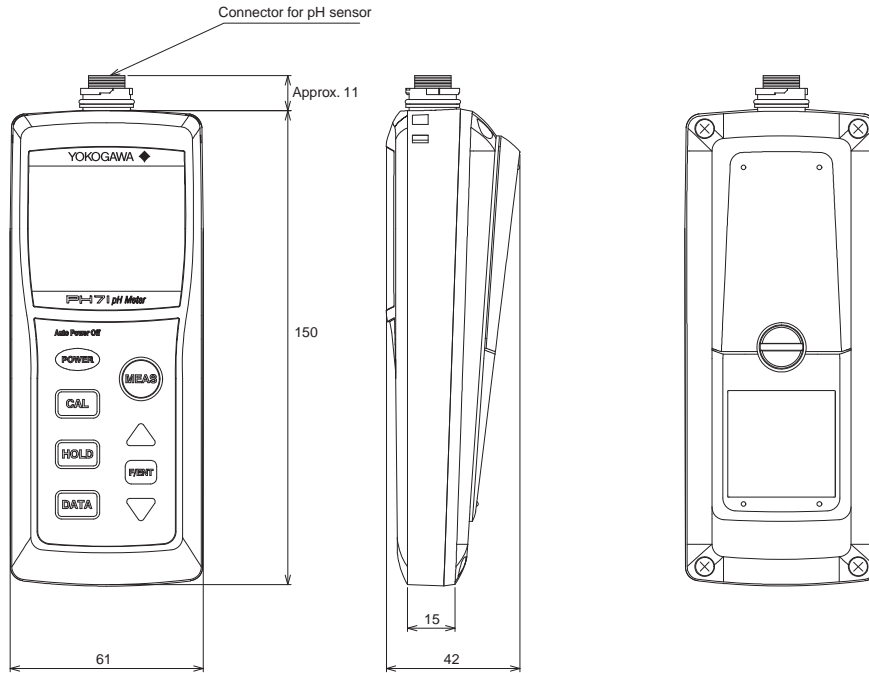


Drawings

Model PH71 Personal pH Meter, Model PH72 Personal pH/ORP Meter

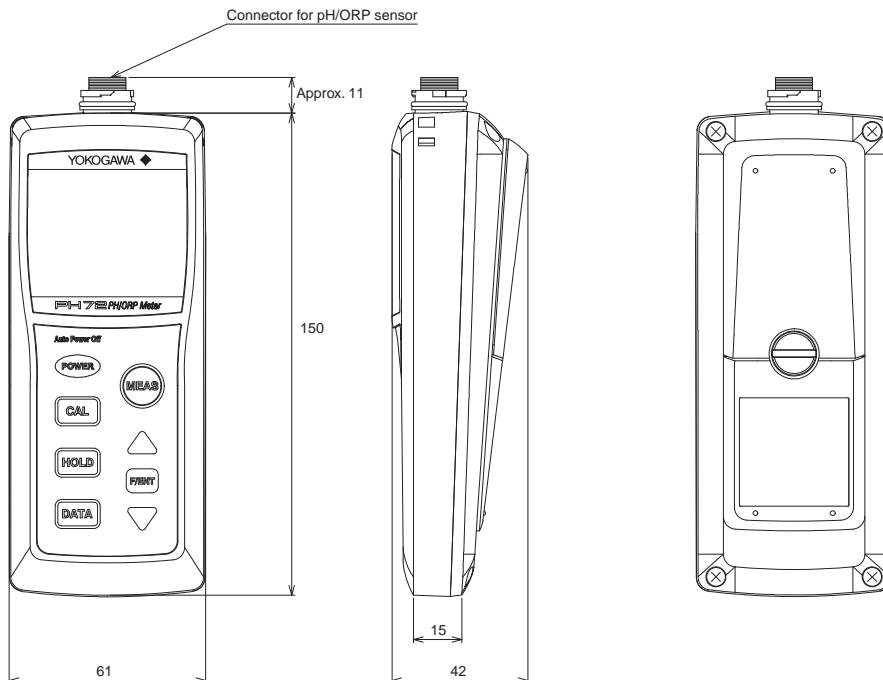
□ Model PH71 (Suffix code “-00” : without pH sensor)

Unit : mm



Weight : Approx. 220 g

□ Model PH72 (Suffix code “-00” : without pH/ORP sensor)



Weight : Approx. 220 g

Unless otherwise specified, differences in the dimensions are specified as : General tolerance=(Criteria of tolerance class IT18 in JIS B0401-1986)/2.

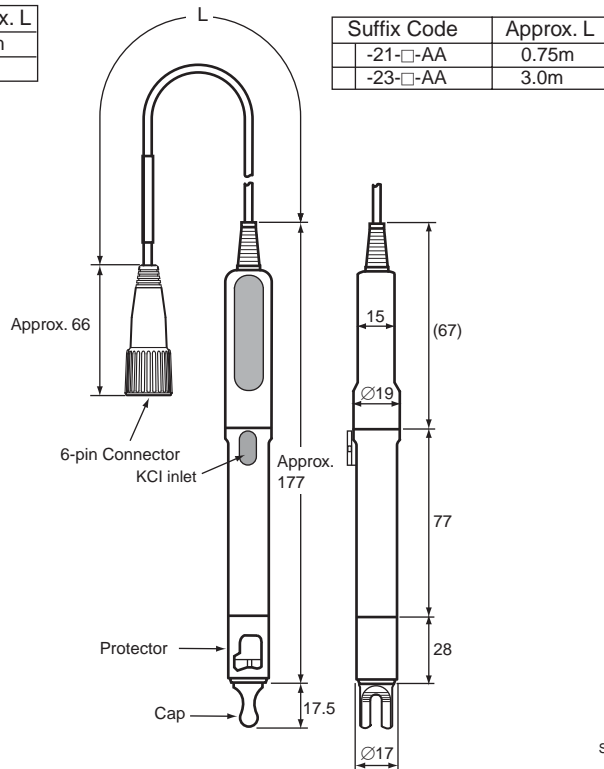
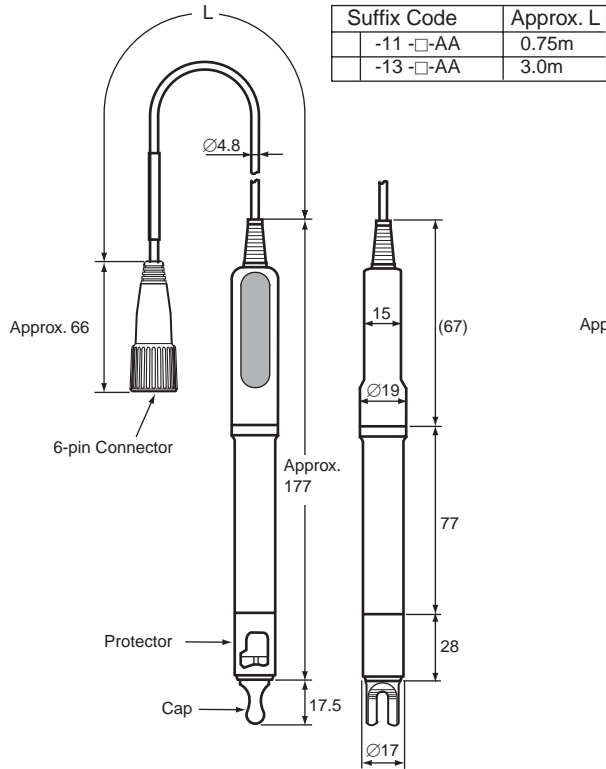
□ KCl Replenish-free Type pH Sensor

Suffix code: -11, -13

□ KCl Refillable Type pH Sensor (K9220YC)

Suffix code: -21, -23

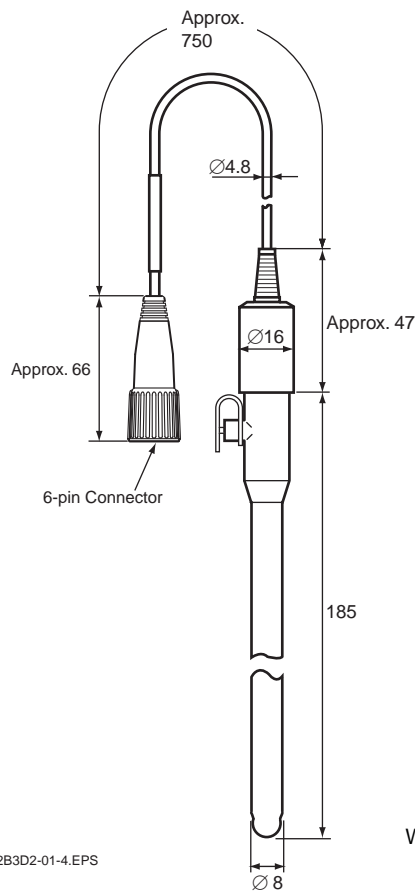
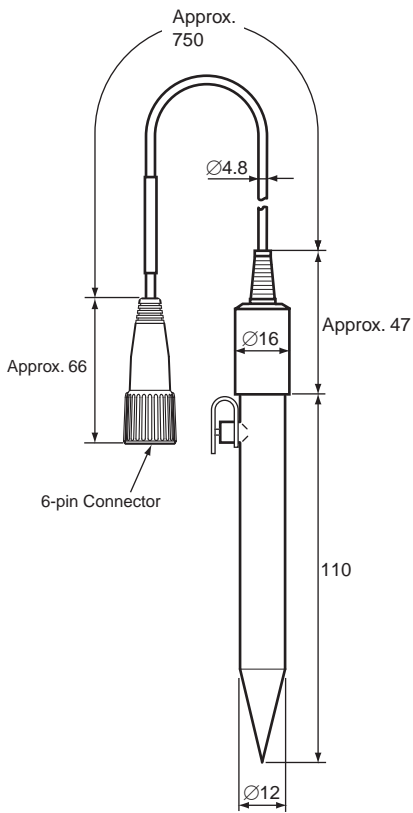
Unit: mm



SD12B3D2-01-3.EPS

□ Needle Type pH Sensor
Suffix code: -32

□ Test Tube Size pH Sensor
Suffix code: -33



Weight : Approx. 100 to 800 g

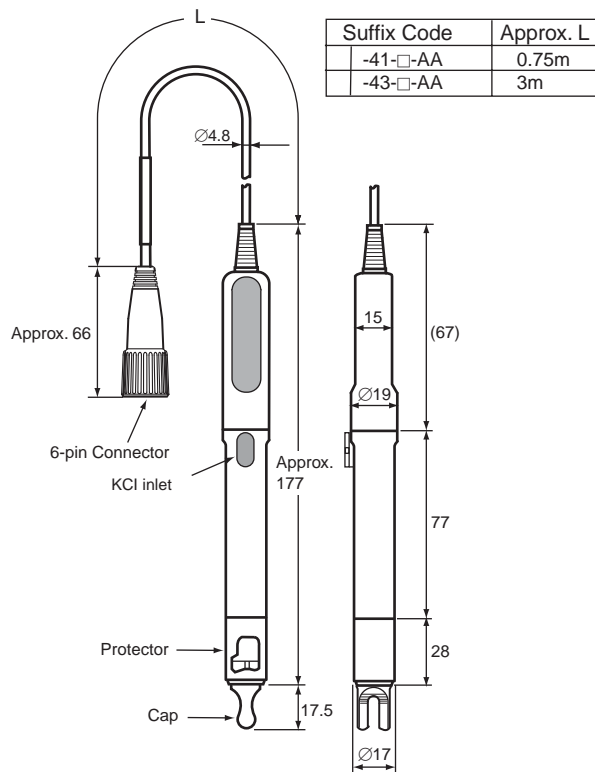
SD12B3D2-01-4.EPS

Unless otherwise specified, differences in the dimensions are specified as : General tolerance=(Criteria of tolerance class IT18 in JIS B0401-1986)/2.

□ KCl Refillable Type ORP Sensor

Unit: mm

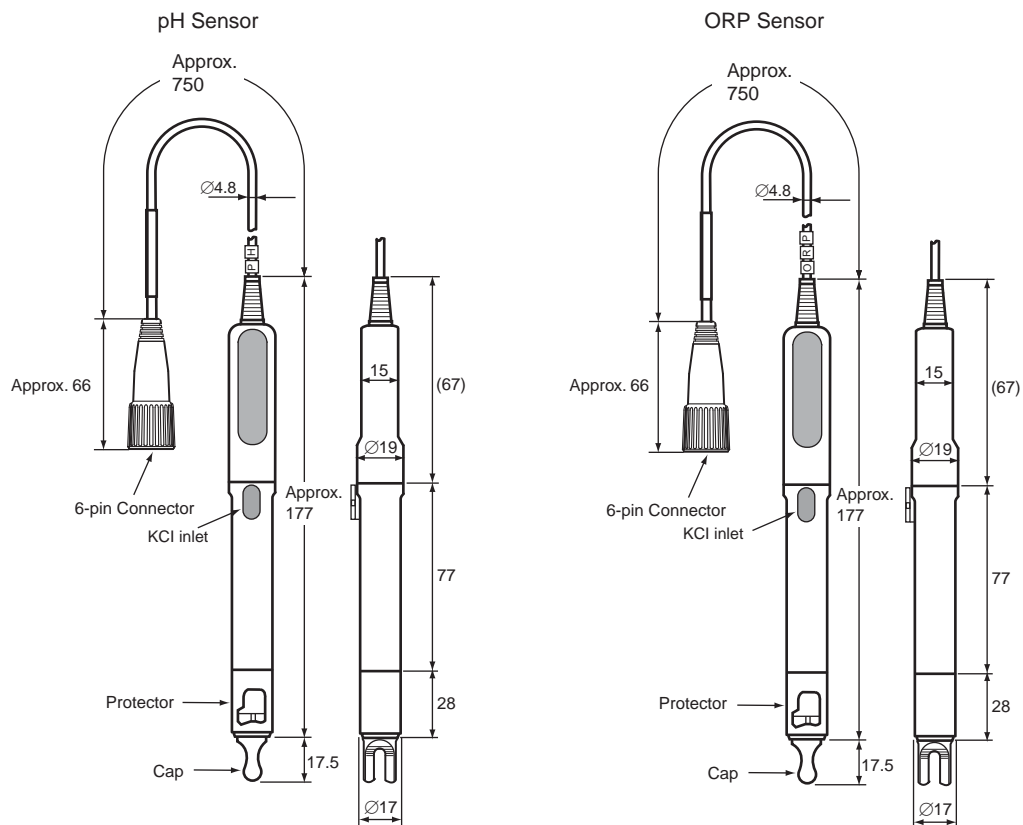
Suffix code: -41, -43



Weight : Approx. 100 to 800 g

□ KCl Refillable Type pH Sensor + KCl Refillable Type ORP Sensor

Suffix code: -51



Unless otherwise specified, differences in the dimensions are specified as : General tolerance=(Criteria of tolerance class IT18 in JIS B0401-1986)/2.

SD 12B03D02-01E P3/3

1st Edition: Aug. 2004 (YK)