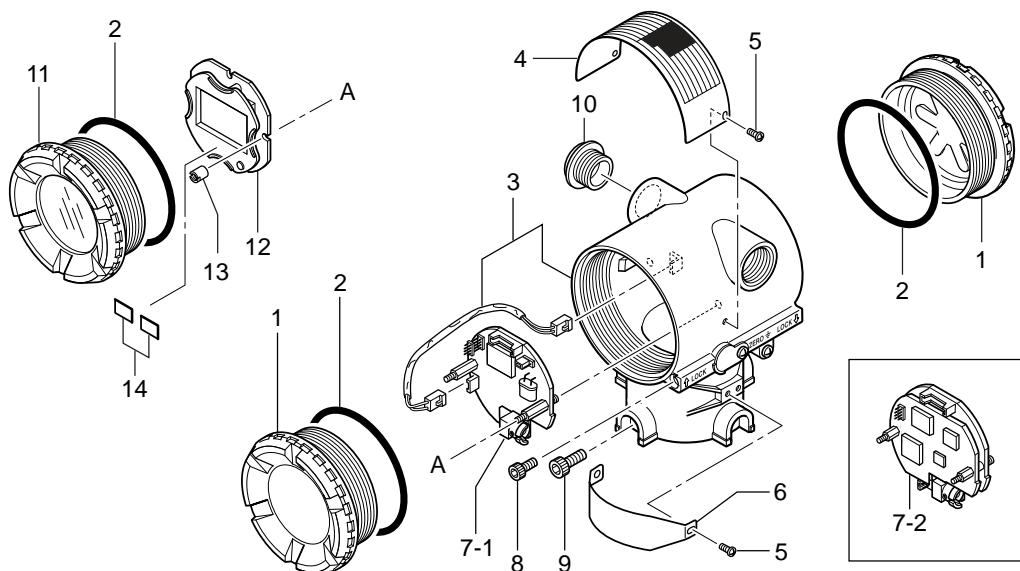


Customer Maintenance Parts List

DPharp EJA Series Transmitter Section

DPharp



Item	Part No.	Qty	Description
1	Bellow F9341RA F9341RJ F9341JP	2	Cover Cast-aluminum alloy SCS14A stainless steel O-ring
2	Below	2	
3	Below	1	Case Assembly (Note 1)
	F9341AA		Cast-aluminum alloy for G1/2
	F9341AC		Cast-aluminum alloy for G1/2 (two electrical connections)
	F9341AE		Cast-aluminum alloy for 1/2 NPT (two electrical connections)
	F9341AH		Cast-aluminum alloy for M20 (two electrical connections)
	F9341AJ		Cast-aluminum alloy for Pg13.5 (two electrical connections)
4	F9341AR	1	SCS14A stainless steel for 1/2 NPT (two electrical connections)
	—	1	Name Plate
5	Bellow F9900RG F9900RR	4	Screw For cast-aluminum alloy case assembly For SCS14A stainless steel case assembly
6	F9341KL	1	Tag Plate
7-1	Below F9342AB F9342AL F9342AF	1	CPU Assembly For BRAIN protocol version For HART protocol version For BRAIN protocol version(Optional code /F1)
7-2	F9342AM F9342BF F9342BG	1	For HART protocol version with write protection switch (Optional code /F1) For FOUNDATION Fieldbus protocol version For FOUNDATION Fieldbus protocol version with PID/LM function (Optional code /LC1)
8	F9900RP	2	Cap Screw
9	Y9612YU	2	Screw
10	Below F9340NW F9340NX G9330DP G9612EB	1	Plug For Pg13.5 For M20 For G1/2 For 1/2 NPT
11	Below F9341FM F9341FJ	1	Cover Assembly Cast-aluminum alloy SCS14A stainless steel
12	Below F9342BL	1	LCD Board Assembly Without range-setting switch
	F9342BM		With range-setting switch
13	F9342MK	2	Mounting Screw
14	F9300PB	2	Label

} For integral indicator

(Note 1) Applicable for BRAIN and HART protocol versions (Output signal code D and E). For FOUNDATION Fieldbus protocol version (Output signal code F), consult Yokogawa local office.