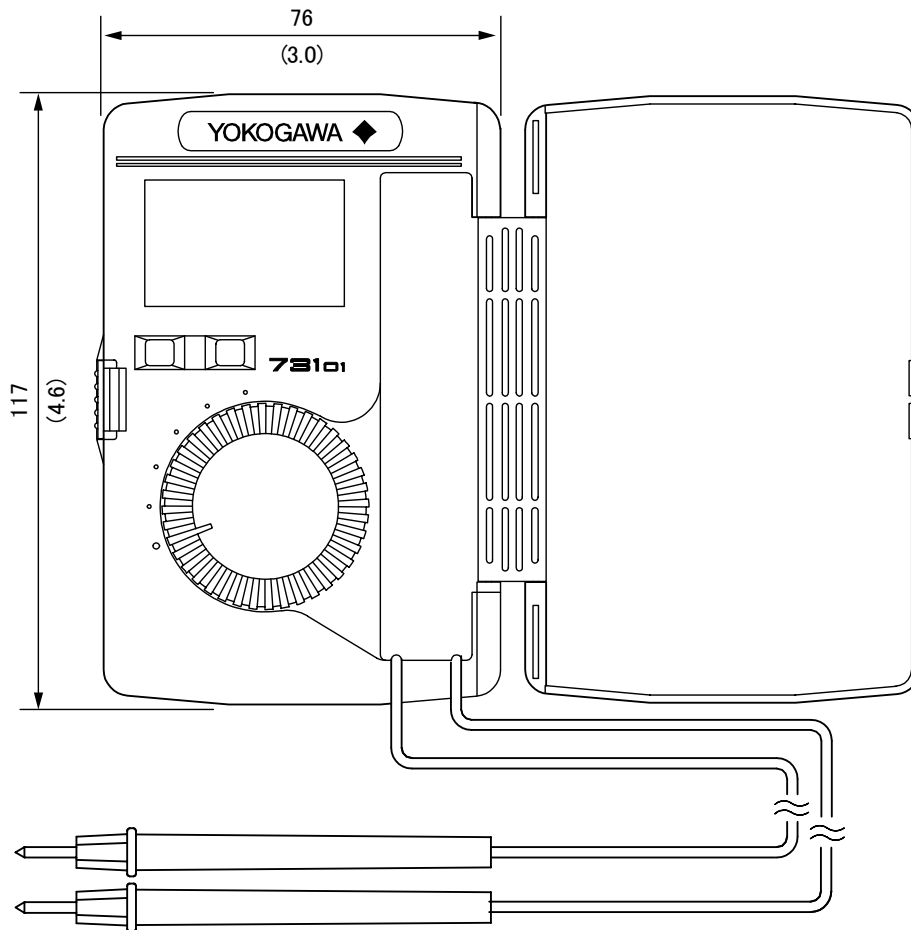


Unit : mm
(approx. inch)

<Dimensions>



Thickness when the protection cover is closed: approx. 18mm
(approx. 0.7 inch)

Weight: approx. 110g