

# Drawings

EJX510A, EJX610A, EJX530A  
and EJX630A  
Absolute and Gauge Pressure Transmitter

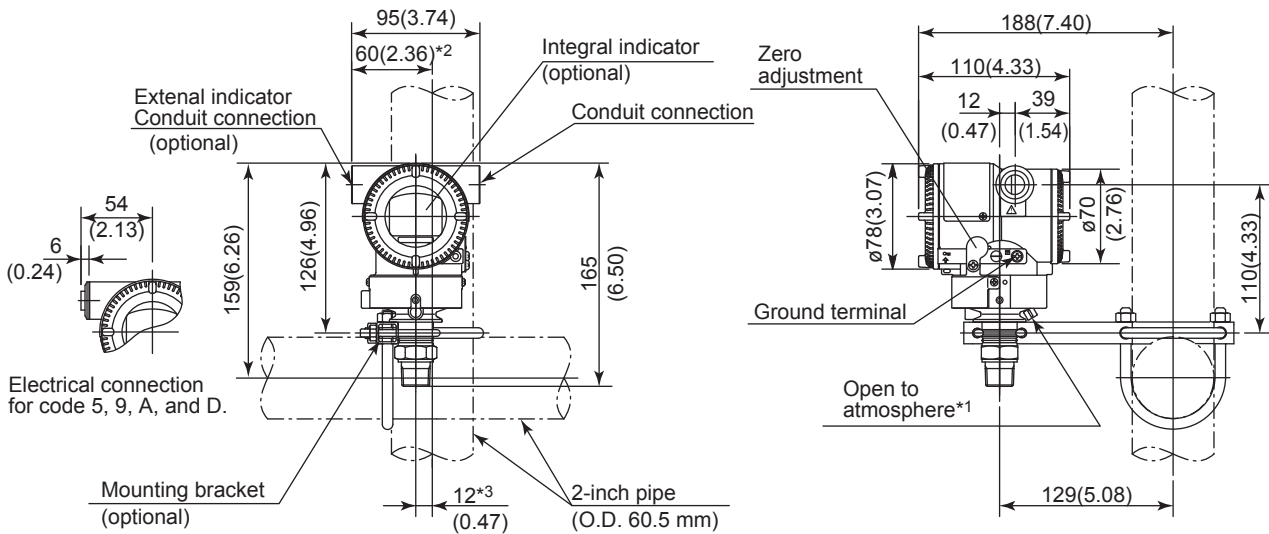
**DP**harp **EJX**<sup>®</sup>

SD 01C25F01-01E

[Style EJX510A, EJX530A: S2, EJX610A, EJX630A: S1]

Unit: mm (approx. inch)

- With Process connections code 7



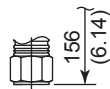
\*1: Only for EJX530A and EJX630A whose measurement span code is A, B, or C.

\*2: 58 mm (2.28 inch) for measurement span code D.

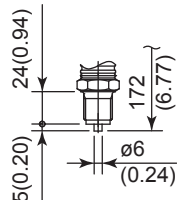
\*3: 11 mm (0.43 inch) for measurement span code D.

\*4: When electrical connection code 7 or C is selected, a blind plug is protruded up to 8 mm from the conduit connection.

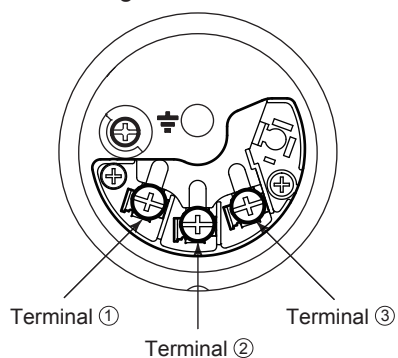
- With Process connections code 4



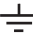
- With Process connections code 8 and 9



- Terminal Configuration



- Terminal Wiring

SUPPLY	+	①	Power supply and output terminals
	-	②	
CHECK	+	③	External indicator (ammeter) terminals*1*2
or	-	②	
ALARM	+	③	Status contact output terminals*2
	-	②	
			 Ground terminal

\*1: When using an external indicator or check meter, the internal resistance must be 10  $\Omega$  or less. A check meter or indicator cannot be connected when /AL option is specified.

\*2: Not available for FOUNDATION Fieldbus and PROFIBUS PA communication types.