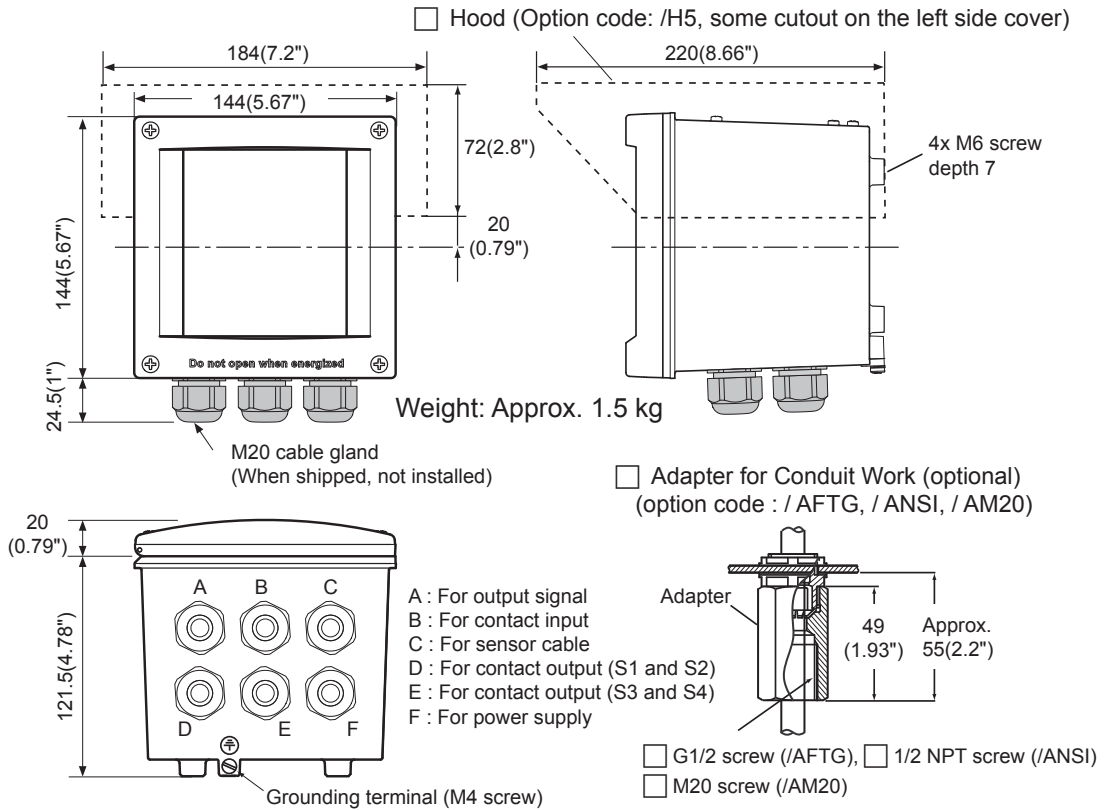


Drawings

Model PH450G [Style: S2] pH and ORP Converter



Unit: mm (inch)



Input and Output Connections

Relay Contacts

32	31	33	42	41	43	52	51	53	72	71	73
NC	C	NO	NC	C	NO	NC	C	NO	NO	C	NC
S1			S2			CONTACTS			S4 (fail-safe)		

Signal mA Outputs

63	66	65	62	61	22	21
SHLD	-	+	-	+		
mA2				mA1 (+HART)		CONTACT
mA OUTPUTS						

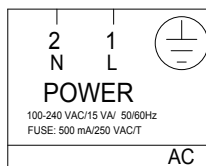
Sensor Inputs

11	12	14	13	17	15	16
+	-		IMP. LOW	IN SHLD	IMP. LOW	IN SHLD
TEMP		LE	INPUT 2		INPUT 1	
			SENSOR(S)			

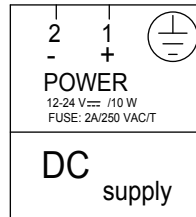
REFER TO INSTRUCTION MANUAL FOR CONNECTIONS

PH

Power Supply PH450G-A (AC power)



PH450G-D (DC power)

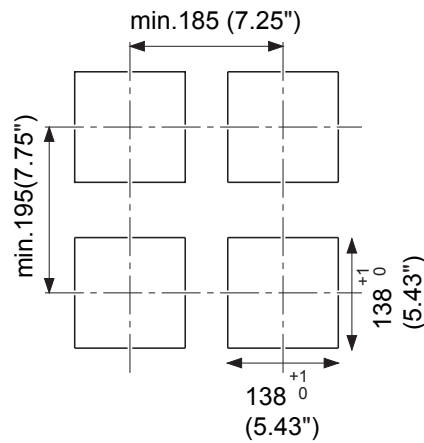


(Terminals are M3 screw)

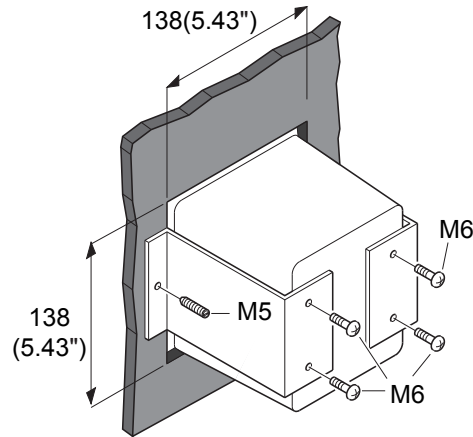
Unless otherwise specified, differences in the dimensions are specified as: General tolerance = ± (Criteria of tolerance class IT18 in JIS B0401-1986) / 2.

Panel cutout

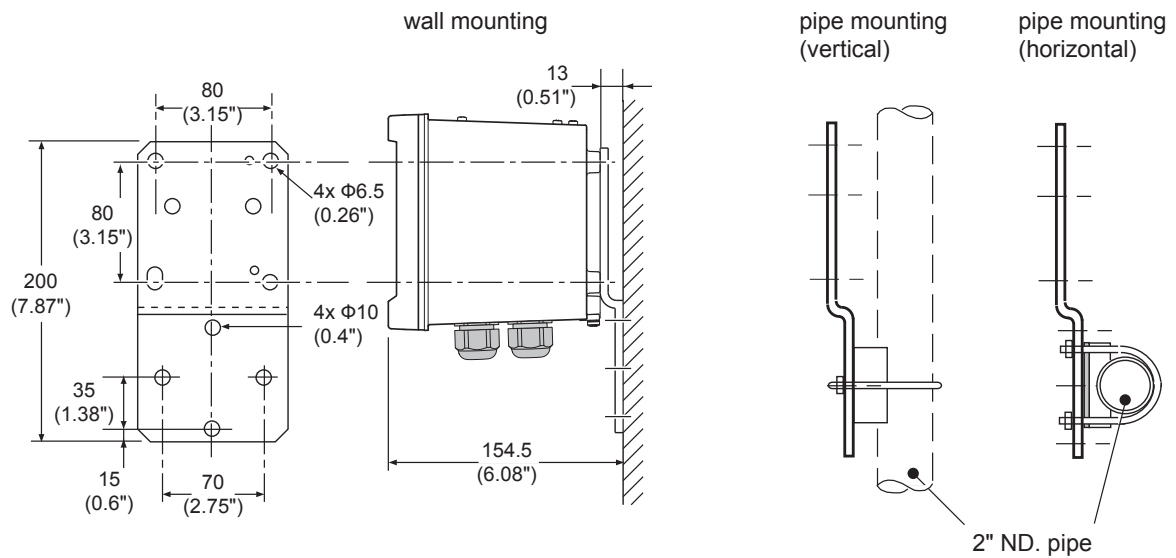
Unit: mm (inch)



Panel mounting diagram (option code: /PM)



Wall and pipe mounting diagram (option code: /U)



(Note) When option code "/UM" is specified, universal pipe/wall/panel mounting kit are supplied--- same as option code "/U" and "/PM" both specified.

Unless otherwise specified, differences in the dimensions are specified as: General tolerance = ± (Criteria of tolerance class IT18 in JIS B0401-1986) / 2.