

**Metso Minerals (Sweden) AB**  
Screening and Conveyor Solutions  
P.O. Box 132  
SE-231 22 Trelleborg  
Sweden  
Phone: +46 410 525 00  
Fax: +46 410 526 04  
**[www.metso.com](http://www.metso.com)**

For contact or information about  
your nearest sales office please  
visit:  
**[www.metso.com](http://www.metso.com)**



Screening and Conveyor Solutions  
Trellex® Dust Control



EN







## Take the dust and noise out of materials handling

Dust means trouble! Modern large-scale mining and mineral processing facilities generate dust and noise in a big way. And there isn't much good that can be said about dust. It's an acknowledged health hazard. It also accelerates wear on machinery and equipment. It also accelerates corrosion. It makes maintenance and repair more difficult and more time-consuming.

We supply off the shelf standardized solutions for dust control of screens, feeders, chutes and other equipment that handles dust. The elasticity of Trellex rubber enables it to be configured to fit virtually any type of equipment. Elasticity also makes the rubber highly resistant to vibration.

The combination of Trellex dust sealing-rubber and standard metals, STMs, enables construction of easily opened inspection covers, tight seals and ensures a long service life for your dust-sealing system.

### **Unique, money-saving benefits**

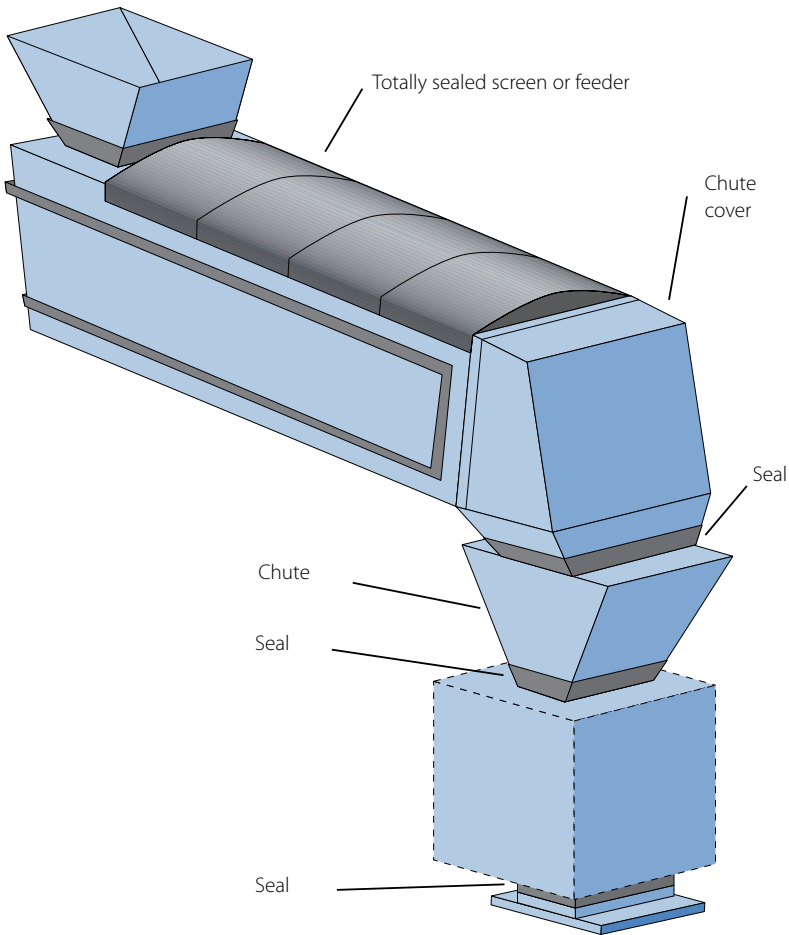
A Trellex dust-sealing system gives you virtually total encapsulation, provides almost total effectiveness and is the closest you can come to a 100% dust-sealed operation.

With simple, standardized components Trellex dust-sealing system can be tailored to your equipment at a reasonable cost, and you can seal a combination of machines, such as a screen or a crusher.

And there's a big bonus! Trellex dust-sealing systems achieve substantial reduction in noise.



Trellex 300TS with flexible rubber prevents blinding



### The simple, cost-effective answer

Several decades ago, Metso began delivering dust-sealing systems that provide dramatic improvements to equipment handling dust. These systems are based on three types of components:

- Trellex dust sealing cloth and fabric
- Rubber grip strips
- STM steel profiles

These drawings show how a typical screen can be totally encapsulated with a Trellex dust-sealing system, which effectively prevents dust from escaping out into the environment and into the drive mechanism and the motor.

When the screening elements have to be replaced, the lightweight inspection covers and part of the top frame can be removed easily.

In principle, the seals are mounted around the space where the dust arises. STMs are used to simplify positioning of the rubber and the grip strips. The rubber cloth or fabric is clamped in place by the grip strips to form an enclosure.

We supply off the shelf standardized solutions for dust control of screens, feeders, chutes and other equipment that handles dust.



### No need to suck out dust

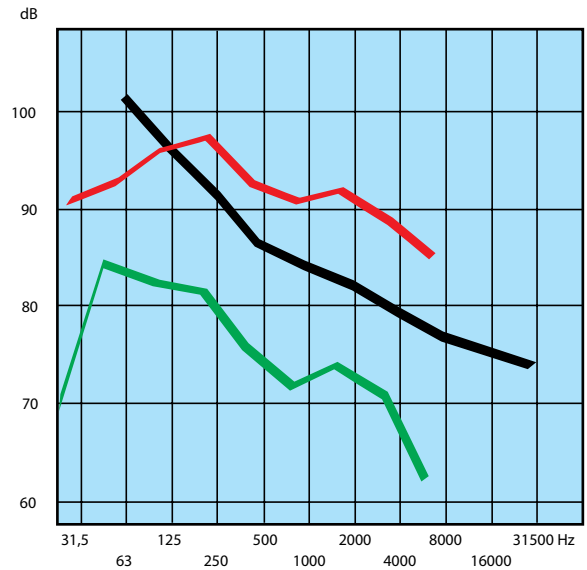
A quarry (capacity 500 MTPH [550 STPH] ) with a very high content of silica in its rock, reduced the need for sucked air from 530 thousand m<sup>3</sup>/h to 35 thousand m<sup>3</sup>/h (19x10<sup>6</sup> ft<sup>3</sup>/h to 12x10<sup>5</sup> ft<sup>3</sup>/h), the dust content from 25 mg/m<sup>3</sup> to 0.5 mg/m<sup>3</sup> (9.03x10<sup>-10</sup> lbs/in<sup>3</sup> to 2x10<sup>-11</sup> lbs/in<sup>3</sup>) and the noise level from 95 dB to 76 dB using Trellex dust seals, screening media and chute linings.

### Summary

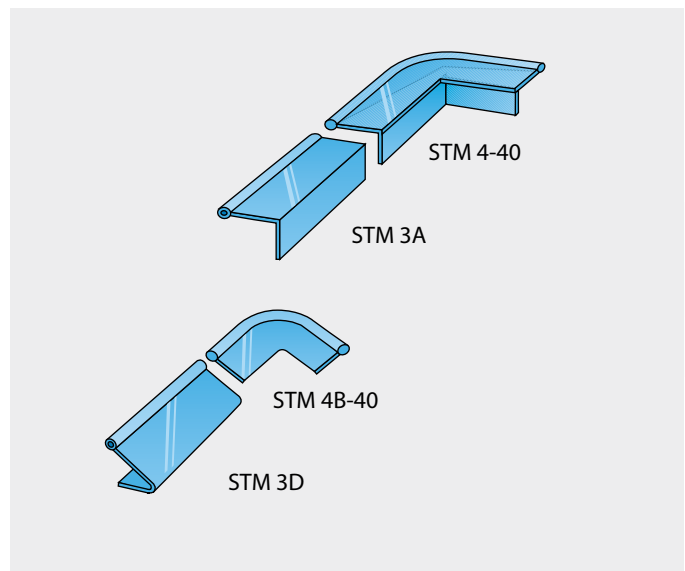
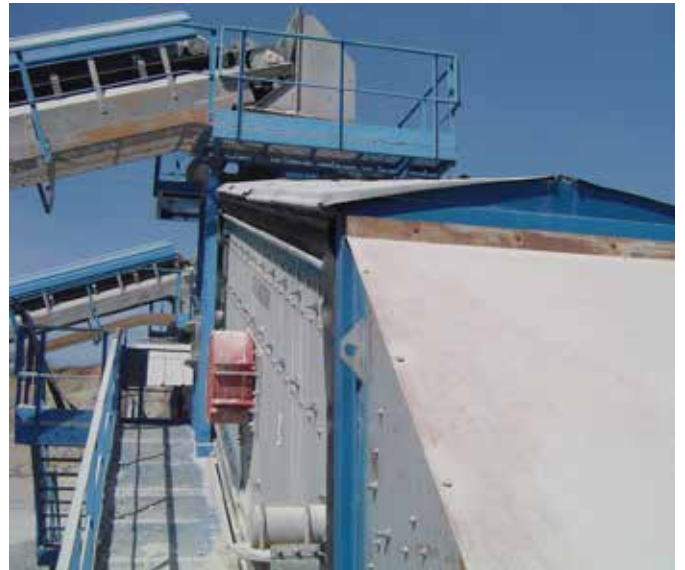
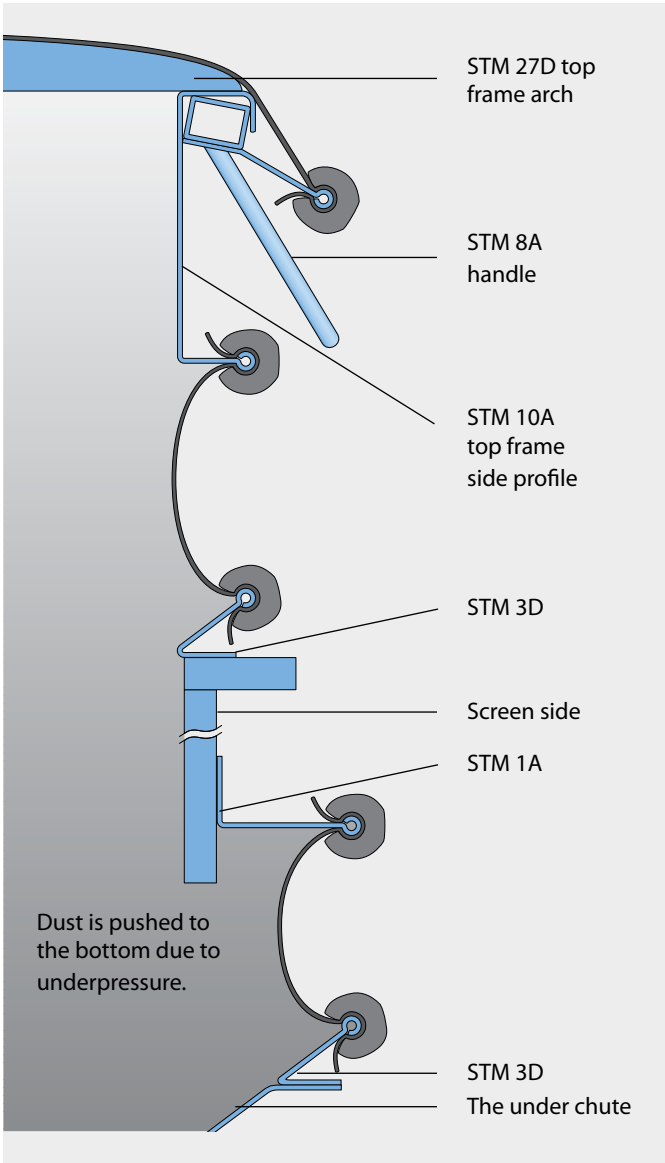
Trellex dust-sealing system ensures much less dust and much less noise. Which means:

- A better working environment
- Reduced wear and corrosion
- Safe, fast and easy service and maintenance

### Considerable noise reduction



Green = noise levels with Trellex dust-sealing system and polymer screening elements  
 Red = No dust-seals and wire mesh  
 Black = Permissible levels



Section through dust-sealed screen

Typical STM combinations

