

# General Specifications

## Model VJC1 Loop Powered Isolator (1-channel and 2-channel Types)

**JUXTA**

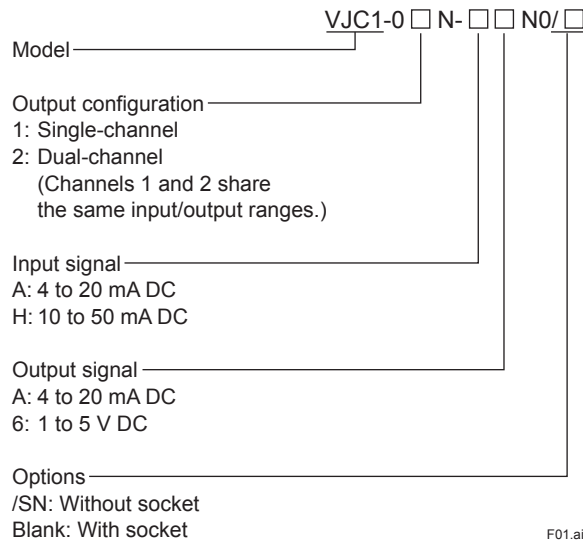
GS 77J01C01-01E

### ■ General

The VJC1 is a plug-in signal isolator that receives current signals from a signal source and converts them into isolated DC voltage or isolated DC current signals. The VJC1 isolator can operate without any driving power source.

- A choice of single-channel and dual-channel models; and
- Close side-by-side mounting.

### ■ Model and Suffix Codes



### ● Items to be specified when ordering

- Model and Suffix Code: e.g. VJC1-02N-AAN0

### ■ Input/Output Specifications

Input signal: 4 to 20 mA DC or 10 to 50 mA DC  
Input resistance:

Input signal	Current output mode	Voltage output mode
4 to 20 mA DC	250 Ω + Secondary stage load resistance	500 Ω
10 to 50 mA DC	100 Ω + Secondary stage load resistance	350 Ω

Allowable voltage level: 30 V DC  
Output signal: 4 to 20 mA DC or 1 to 5 V DC  
Allowable load resistance:

Input signal	Current output mode	Voltage output mode
4 to 20 mA DC	Allowable load resistance of input signal source - 250 Ω	500 kΩ minimum
10 to 50 mA DC	Allowable load resistance of input signal source - 100 Ω	500 kΩ minimum

Output resistance: 250 Ω (for voltage output)

### ■ Standard Performance

Accuracy rating: ±0.1% of span; ±0.3% of span for 10 to 50 mA input  
Response: 100 ms for a 63% response when in current output mode (10 to 90% change of range)  
Insulation resistance: 100 MΩ minimum at 500 V DC across input and output terminals, and between channels  
Withstanding voltage: 1500 V AC for one minute across input and output terminals; 2000 V AC for one minute between channels  
Operating temperature range: 0 to 50°C  
Operating humidity range: 5 to 90% RH (no condensation)  
Effects of ambient temperature variations: Up to ±0.2% of span per 10°C

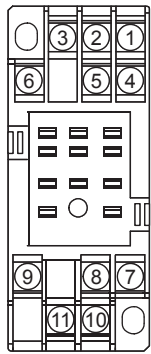
### ■ Mounting and Appearance

Material: ABS resin (casing)  
Mounting: Wall mounting, DIN rail mounting, or mounting on a side-by-side multiple mounting base  
Connection: Terminals with M3 size screws  
External dimensions: 76 (H) × 29.5 (W) × 124.5 (D) mm  
Weight: Main unit = approx. 124 g; socket = approx. 51 g

### ■ Accessories

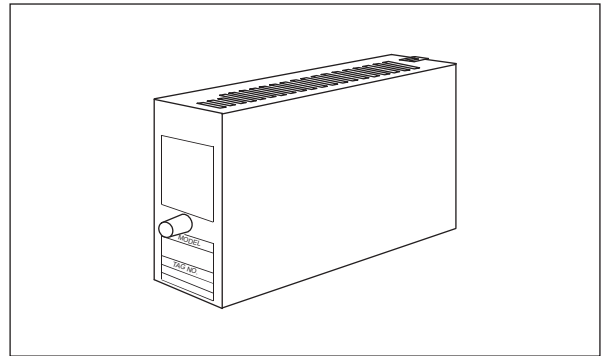
Tag number label: One

### Terminal Assignments

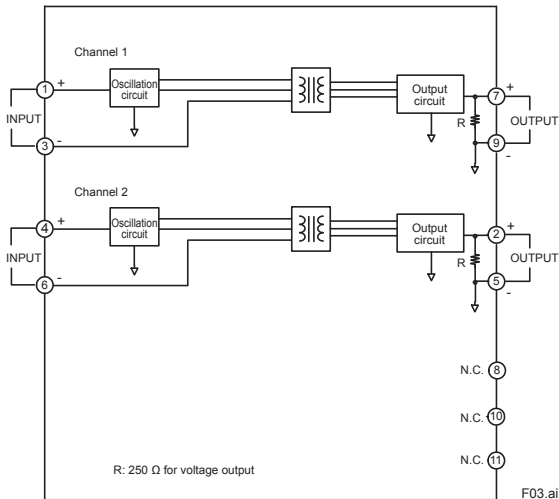


1	INPUT (+) (Channel 1)
2	OUTPUT (+) (Channel 2)
3	INPUT (-) (Channel 1)
4	INPUT (+) (Channel 2)
5	OUTPUT (-) (Channel 2)
6	INPUT (-) (Channel 2)
7	OUTPUT (+) (Channel 1)
8	N.C.
9	OUTPUT (-) (Channel 1)
10	N.C.
11	N.C.

F02.ai

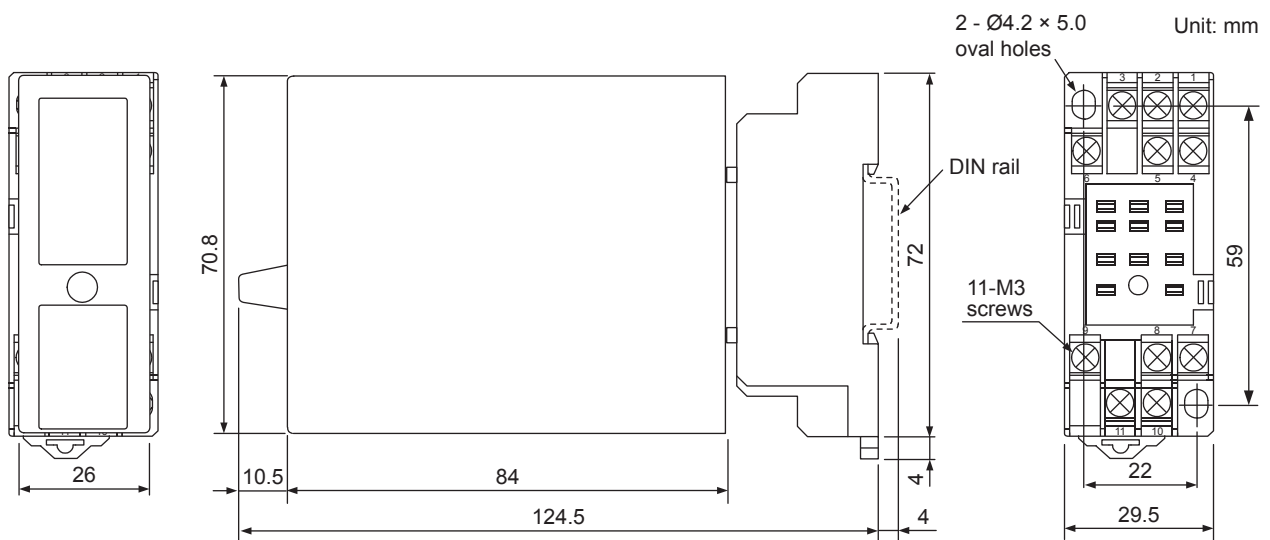


### Block Diagram



F03.ai

### External Dimensions



F04.ai