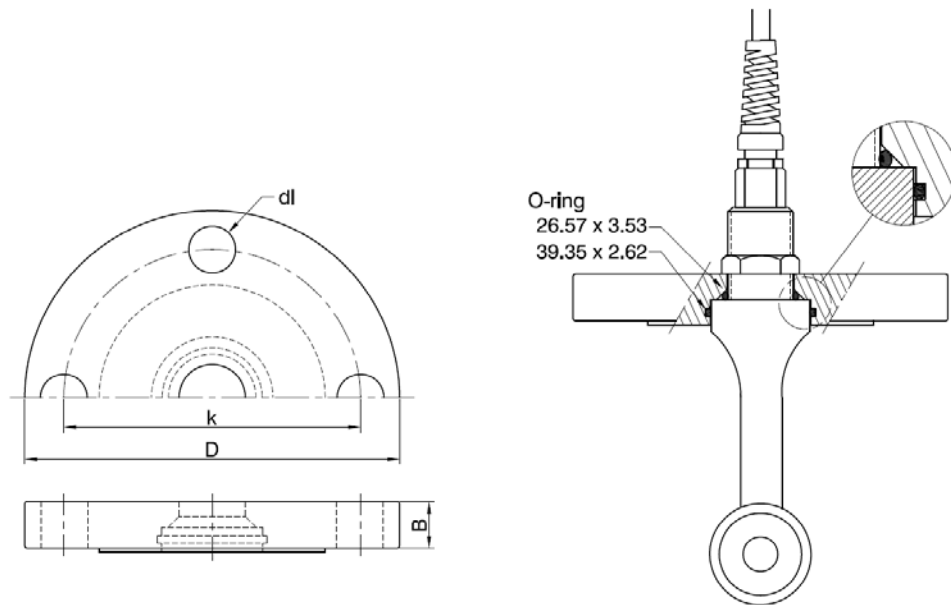


Flange Adapters for ISC40*-*G Sensor



Dimensions mm (inches)

Part Number	Size	Material	dl	k	D	B
M1289DC	2" 150#	PVDF	Ø 19.1 (0.75)	Ø 120.7 (4.72)	Ø 152.4 (6)	19.1 (0.75)
M1289EH	2" 150#	SS	Ø 19.1 (0.75)	Ø 120.7 (4.75)	Ø 152.4 (6)	19.1 (0.75)
M1289DS	3" 150#	SS	Ø 19.1 (0.75)	Ø 152.4 (6)	Ø 190.5 (7.5)	23.9 (0.94)
M1289DT	4" 150#	SS	Ø 19.1 (0.75)	Ø 190.5 (7.5)	Ø 228.6 (9.0)	23.9 (0.94)

O-Ring Part Numbers

(Not Included with the fitting, Must be Ordered Separately)

39.35 x 2.62 / 26.57 x 3.53	EPDM	Viton	Silicon	Kalrez	Quantity
	K1500CE	K1500CF	K1500CG	K1500CH K1500CV	5 sets of 2 O-rings