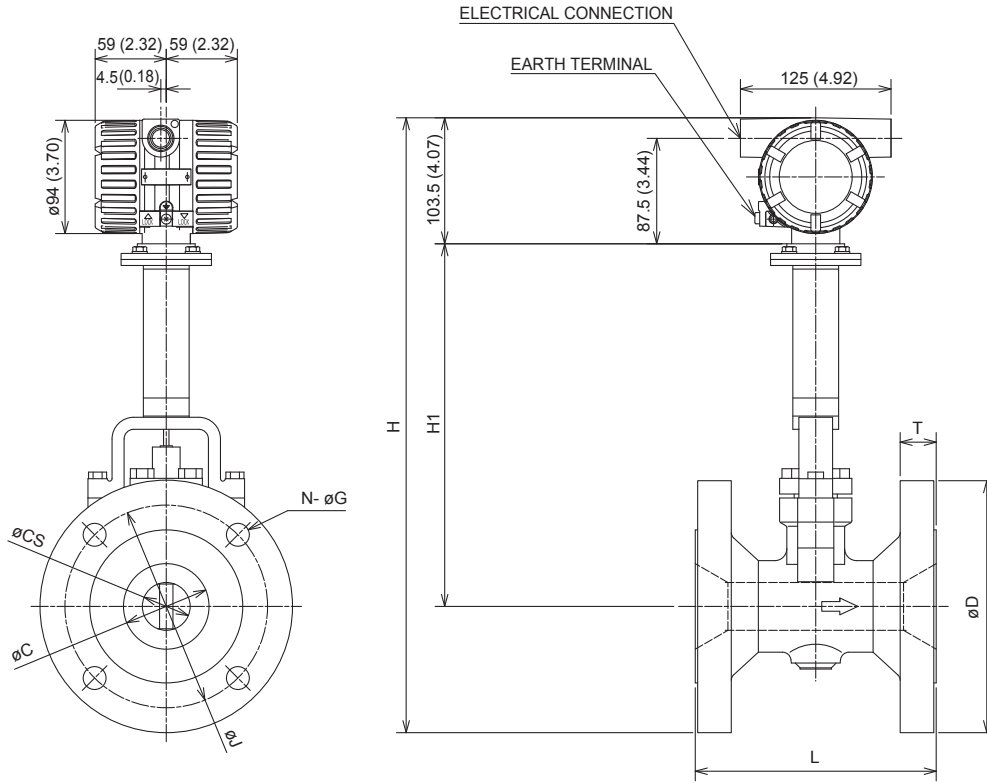


# Drawings

digitalYEWFLO Series Vortex Flowmeter High Process Temperature Version (/HT),  
Reduced Bore Type (/R2)  
Remote, Flange  
[DY040, DY050, DY080, DY100, DY150, DY200]

SD 01F06A00-16EN

Unit : mm  
(approx. inch)



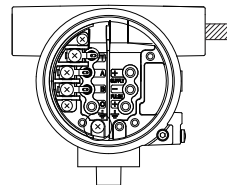
TYPE	REMOTE																							
	DY050/HT/R2				DY080/HT/R2				DY100/HT/R2				DY150/HT/R2				DY200/HT/R2							
MODEL CODE	BJ1		BJ2		BA1 BS1		BA2 BS2		BJ1		BJ2		BA1 BS1		BA2 BS2		BJ1		BJ2		BA1 BS1		BA2 BS2	
L	170 (6.69)				200 (7.87)				220 (8.66)				270 (10.63)				310 (12.20)							
C	51.1 (2.01)				71 (2.79)				93.8 (3.69)				138.8 (5.46)				185.6 (7.30)							
CS	25.7 (1.01)				39.7 (1.56)				51.1 (2.01)				71 (2.79)				93.8 (3.69)							
D	155 (6.10)	155 (6.10)	152.4 (6.00)	165.1 (6.50)	185 (7.28)	200 (7.87)	190.5 (7.50)	209.6 (8.25)	210 (8.27)	225 (8.86)	228.6 (9.00)	254 (10.00)	280 (11.02)	305 (12.01)	279.4 (11.00)	317.5 (12.5)	330 (12.99)	350 (13.78)	342.9 (13.5)	381 (15.00)				
H	453 (17.95)	453 (17.95)	451.7 (17.78)	458.1 (18.03)	475 (18.70)	482.5 (19.00)	477.8 (18.81)	487.3 (19.19)	509.5 (20.06)	517 (20.35)	518.8 (20.43)	531.5 (20.93)	561.5 (22.11)	574 (22.60)	561.2 (22.09)	580.3 (22.85)	601.5 (23.68)	611.5 (24.07)	608 (23.94)	627 (24.69)				
H1	272 (10.71)				279 (10.98)				301 (11.85)				318 (12.52)				333 (13.11)							
T	16 (0.63)	18 (0.71)	19.1 (0.75)	22.4 (0.88)	18 (0.71)	22 (0.87)	23.9 (0.94)	28.4 (1.11)	18 (0.71)	24 (0.94)	23.9 (0.94)	31.8 (1.25)	22 (0.87)	28 (1.10)	25.4 (1.0)	36.6 (1.44)	22 (0.87)	30 (1.18)	28.4 (1.11)	41.1 (1.62)				
J	120 (4.72)	120 (4.72)	120.7 (4.75)	127 (5.00)	150 (5.91)	160 (6.30)	152.4 (6.00)	168.2 (6.62)	175 (7.28)	185 (7.50)	190.5 (7.88)	200.2 (7.88)	240 (9.45)	260 (10.24)	241.3 (9.50)	269.7 (10.62)	290 (11.42)	305 (12.01)	298.5 (11.75)	330.2 (13.00)				
N	4	8	4	8	8	8	4	8	8				8	12	8	12	12	12	8	12				
G	19 (0.75)				19 (0.75)	23 (0.91)	19 (0.75)	22.4 (0.88)	19 (0.75)	23 (0.91)	19 (0.75)	22.4 (0.88)	23 (0.91)	25 (0.98)	22.4 (0.88)	22.4 (0.88)	23 (0.91)	25 (0.98)	22.4 (0.88)	25 (0.98)	22.4 (0.88)	25 (0.98)		
WEIGHT kg (lb)	10.4 (23.0)	10.9 (24.0)	11 (24.3)	12.5 (27.6)	14 (30.9)	16.6 (36.6)	16.6 (36.6)	20.4 (45.0)	21.3 (47.0)	25.3 (55.8)	25.9 (57.1)	34.4 (75.8)	40.3 (88.8)	50.3 (110.9)	43.3 (95.5)	61.3 (135.1)	61.9 (136.5)	68.9 (151.9)	71.9 (158.5)	96.9 (213.6)				

(Note 1) The flow direction is opposite (right to left when facing onto indicator) in case of code/CRC.

### Terminal Wiring

Remote Type Detector	T	Built-in Temperature Sensor Terminal
	A	Signal Output Terminals
	B	
	C	Common Terminal
	⊕	Grounding Terminal

\* Use DYC signal cable for remote type.  
\* T is used for /MV only.



Remote type