

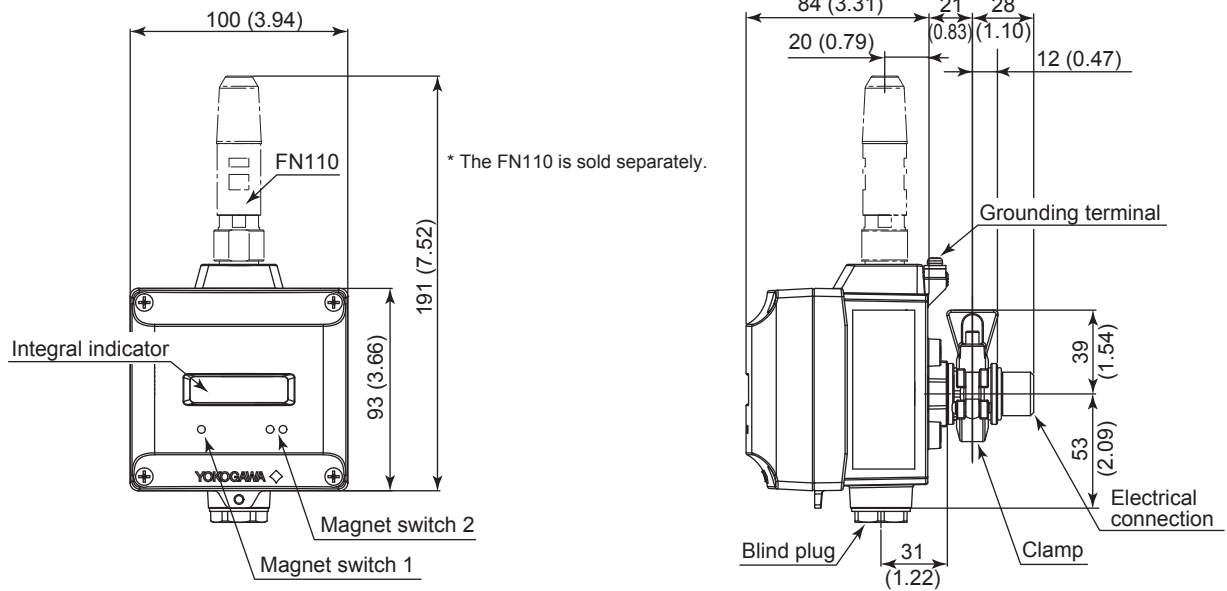
Drawings

FN310 Field Wireless Multi-Protocol Module

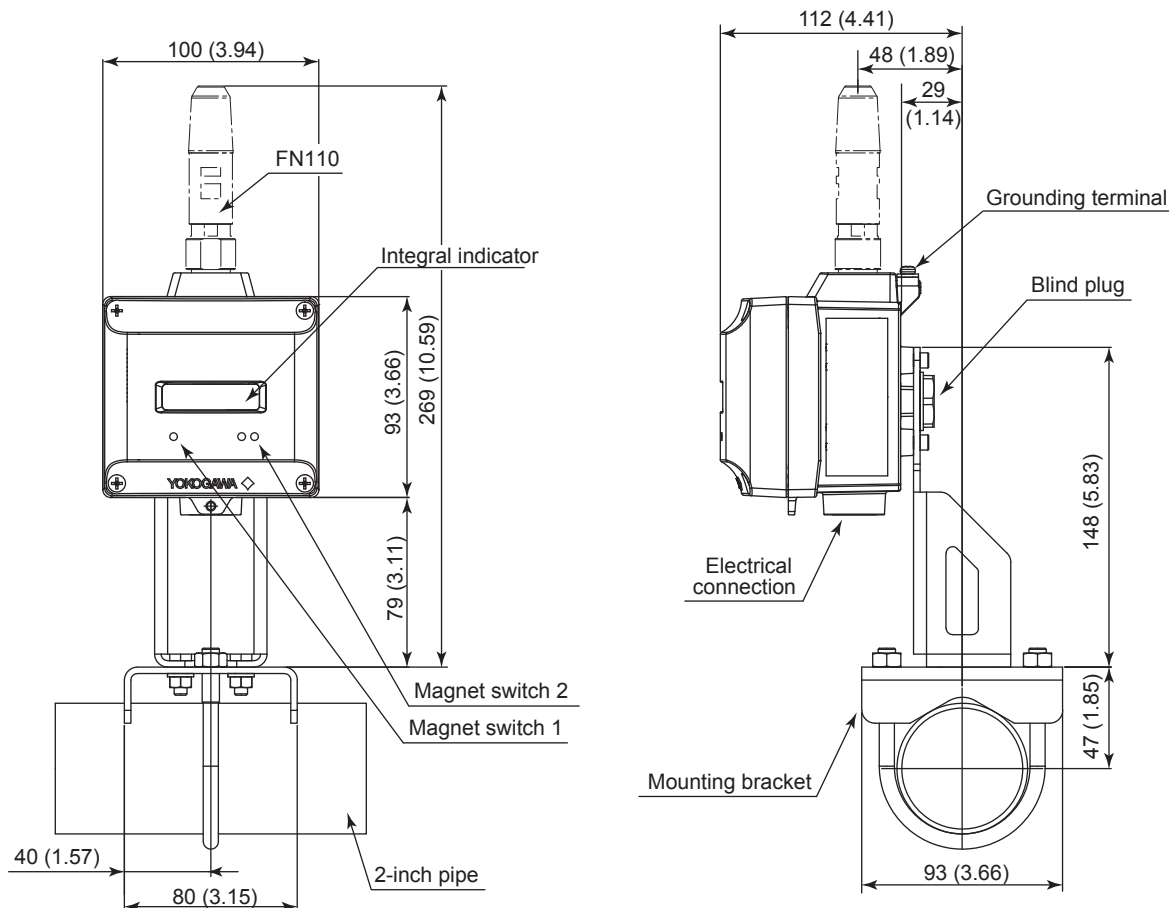
SD 01W03D01-01EN

Unit: mm (approx. inch)

□ Direct mounting to electrical connection port (Protocol code: J)



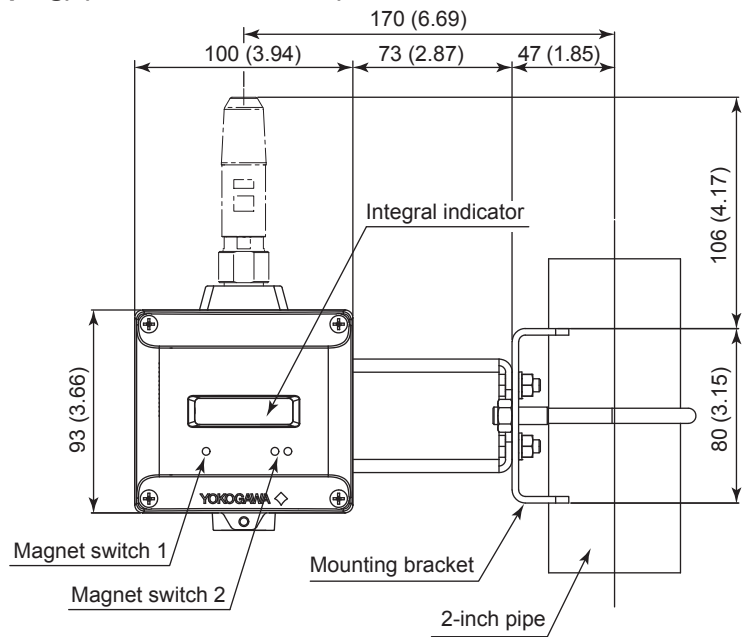
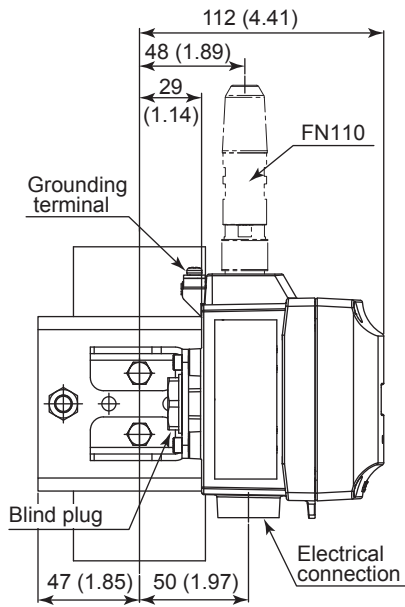
□ 2-inch pipe mounting (for horizontal piping) (Protocol code: J, M)



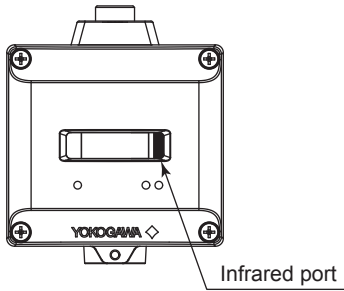
F01.ai

□ 2-inch pipe mounting (for vertical piping) (Protocol code: J, M)

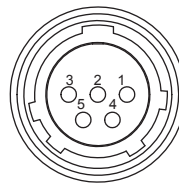
Unit: mm (approx. inch)



● Infrared Configuration



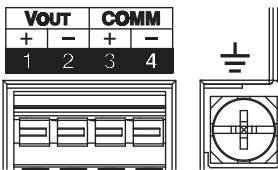
● Pin Assignment of FN110 Connection Terminal



Pin	Signal
1	Frame Ground*
2	Signal Ground
3	Power Supply
4	Transmit/Receive Data positive
5	Transmit/Receive Data negative

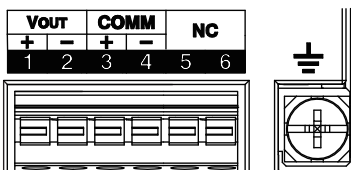
* Wired to the grounding terminal inside the FN310 housing.

● Input Terminal Configurations [Protocol code: J]



Terminal	Signal			
	One-to-one Connection			4-20 mA Loop Connection
	2-wire	4-wire (Active)	4-wire (Passive)	
1	Power Supply and Input Signal +	No Connection	Loop Power and Input Signal +	No Connection
2	Power Supply and Input Signal -	No Connection	Loop Power and Input Signal -	No Connection
3	No Connection	Input Signal +	No Connection	Input Signal +
4	No Connection	Input Signal -	No Connection	Input Signal -
⏏	Frame Ground			

[Protocol code: M]

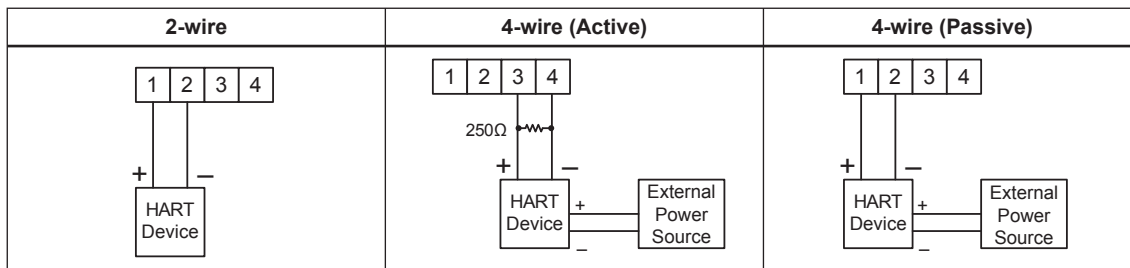


Terminal	Signal
1	Power Supply +
2	Power Supply Gnd
3	Data +
4	Data -
5	No Connection
6	No Connection
⏏	Frame Ground

• Input Wiring

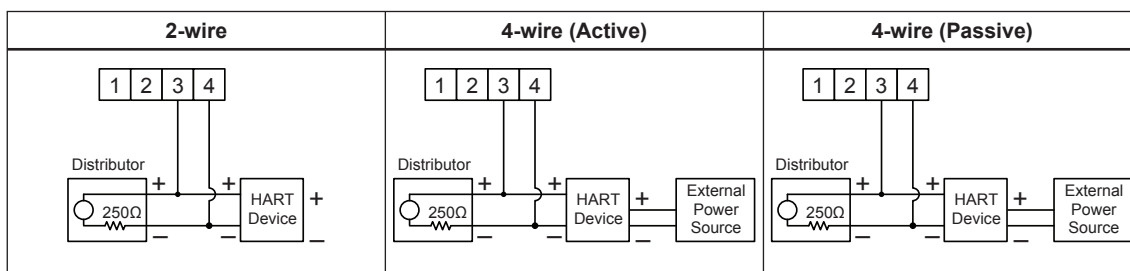
[Protocol code: J]

One-to-one Connection

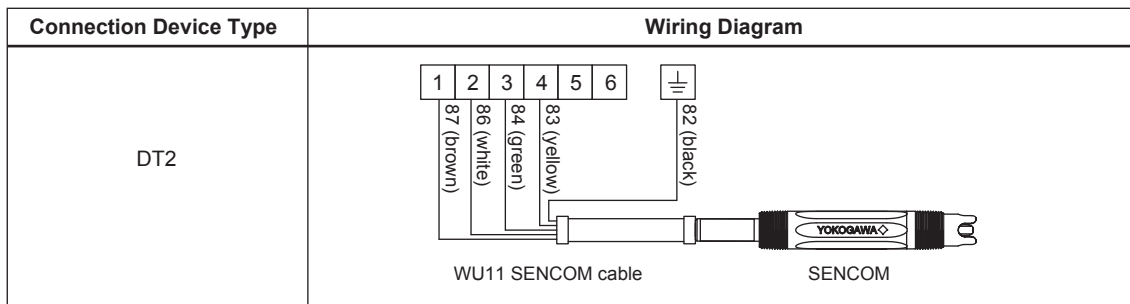


* Connect the FN310 and HART devices directly.

4-20 mA Loop Connection



[Protocol code: M]



F03.ai