

Drawings

EJX110B Differential Pressure Transmitter Bottom Process Connection

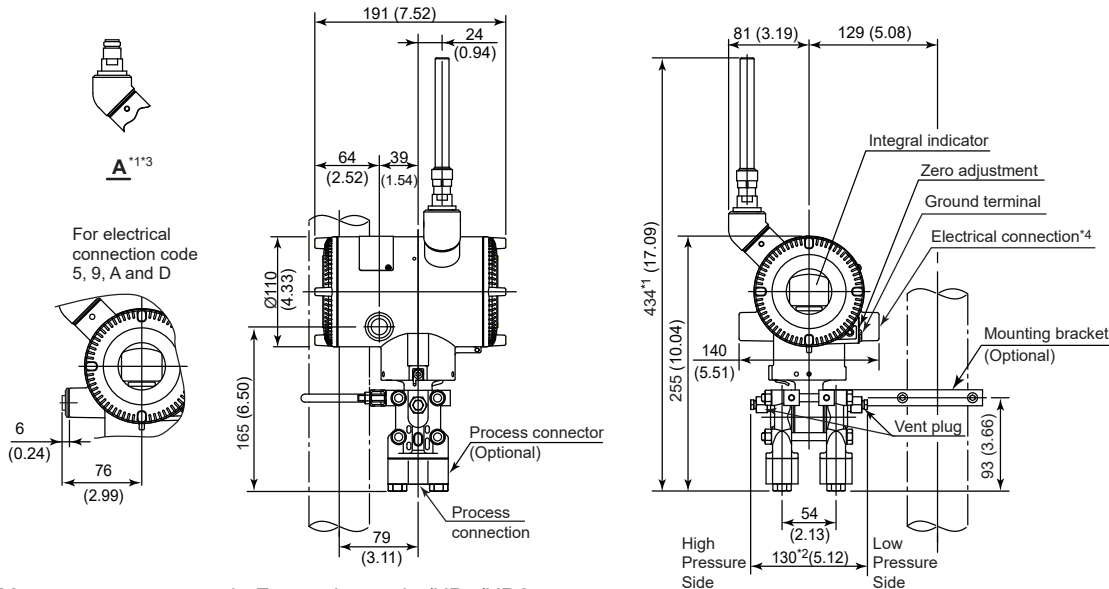


SD 01C27B01-02EN

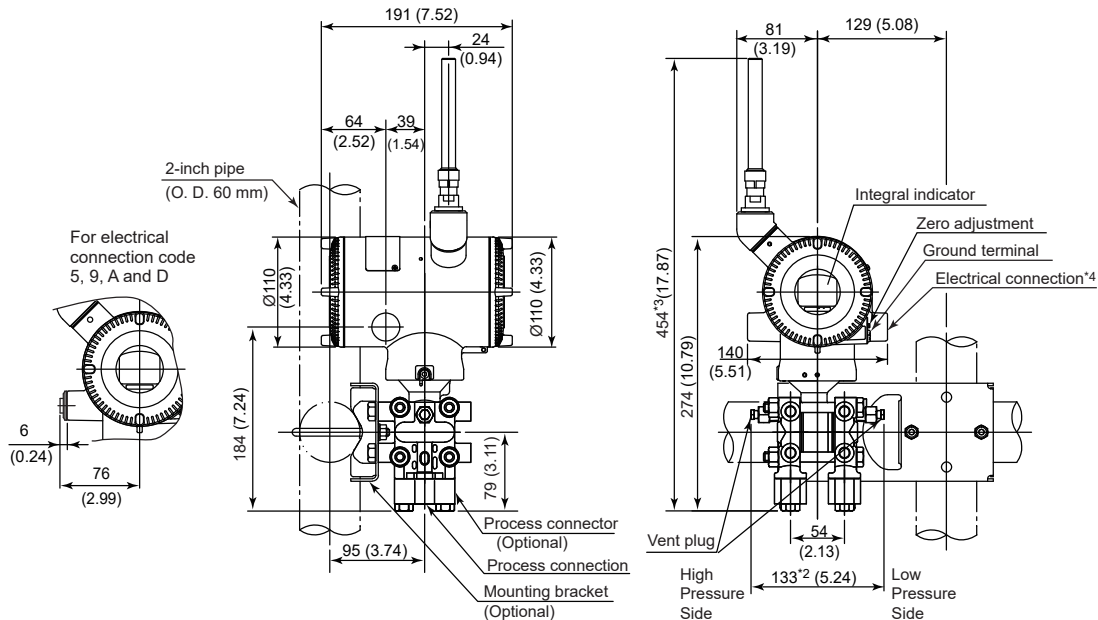
[Style: S1]

Unit: mm (approx. inch)

- Bottom process connection type (Installation code -B)
Measurement span code M, H and V, except for option code /HD, /HD2

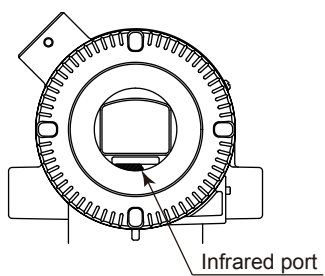


- Measurement span code F or option code /HD, /HD2



- *1: When amplifier housing code 9 is selected, the value is 314 mm (12.36 inch).
In this case, the figure is shown as A.
- *2: When option code K1, K2, K5 or K6 is selected, add 30 mm (1.18 inch) to the value in the figure.
- *3: When amplifier housing code 9 is selected, the value is 334 mm (13.15 inch).
In this case, the figure is shown as A.
- *4: Applicable for the external powered type.
- *5: When electrical connection code 7 or C is selected, a blind plug is protruded upto 8 mm (0.31 inch) from the electrical connection.

- Infrared Configuration



- Terminal Configuration for the External Powered type

