

# General Specifications

Model DA2  
Distributor  
(with Communication Function)

JUXTA

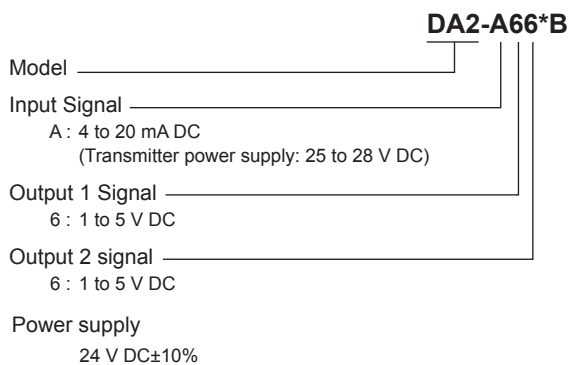
GS 77J05A02-01E

## General

The DA2 is a nest-mounting type DCS-supported distributor, is used in combination with a two-wire transmitter, and converts 4 to 20 mA DC signals into isolated 1 to 5 V DC signals.

- Available for communication with the Brain series of transmitters via communication interface.

## Model and Suffix Codes



## Ordering Information

Specify the following when ordering.

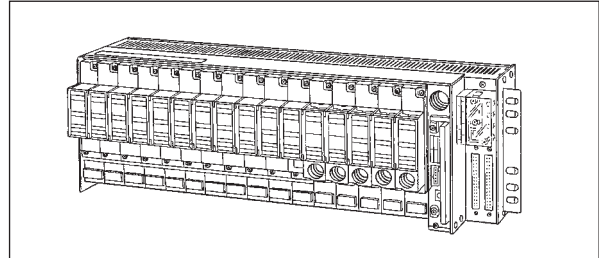
- Model and suffix codes: e.g. DA2-A66\*B

## Input/Output Specifications

Input signal: 4 to 20 mA DC signal from two-wire transmitter  
 Input resistance: 250 Ω  
 Maximum allowable input: 40 mA DC  
 Transmitter power supply: 26.5±1.5 V DC  
 (With a current limiting circuit to keep the current between 25 and 35 mA)  
 Allowable conductor resistance (RL):  
 Up to [(20 –transmitter’s minimum operating voltage) V/0.02 A] Ω  
 Output 1 signal: 1 to 5 V DC  
 Output 2 signal: 1 to 5 V DC  
 Allowable load resistance: 2 kΩ or more  
 Zero adjustment: -1 to +1%  
 Span adjustment: 95 to 105%

## Standard Performance

Accuracy rating:  
 Output 1: ±0.1% of span  
 Output 2: Relative error between output 1 and 2 is within ±0.2%.  
 Response speed: 150 ms, 63% response (10 to 90%)  
 Insulation resistance: 100 MΩ or more at 500 V DC between input and output, output and power supply, and input and power supply.



Withstand voltage: 1500 V AC/min. between input and (output and power supply.)  
 500 V AC/min. between output and power supply.

## Environmental Conditions

Operating temperature range: 0 to 50°C  
 Operating humidity range: 5 to 90% RH (no condensation)  
 Power supply voltage: 24 V DC±10% (ripple content 5% p-p or less)  
 Effect of power supply voltage fluctuations: ±0.1% of span or less for fluctuation within the operating range of power supply voltage specification.  
 Effect of ambient temperature change: ±0.2% of span or less for a temperature change of 10°C.  
 Current consumption: 24 V DC 100 mA

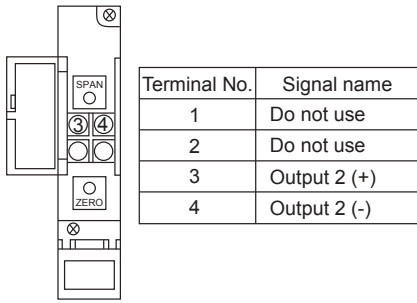
## Mounting and Dimensions

Mounting method: Nest-mounting (Signals and power supply are connected through back board and connector)  
 Connection method: Connection to M4 screw terminals of the exclusive nest  
 External dimensions: 130.6(H)×23.6(W)×126(D) mm  
 Weight: Approx. 120 g

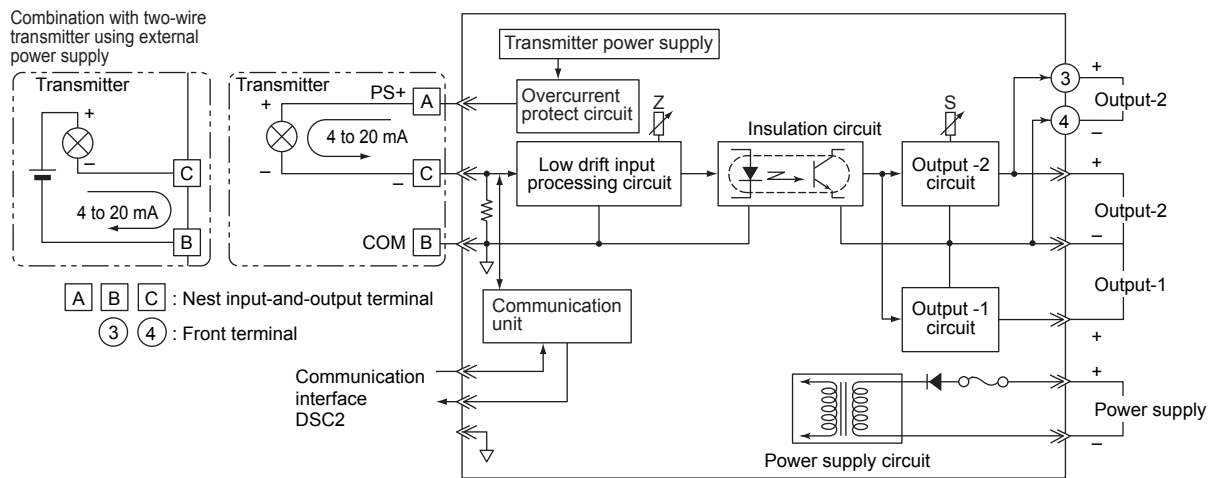
## Standard Accessories

Tag number label: 1

## Terminal Assignments



## Block Diagram



## External Dimensions

