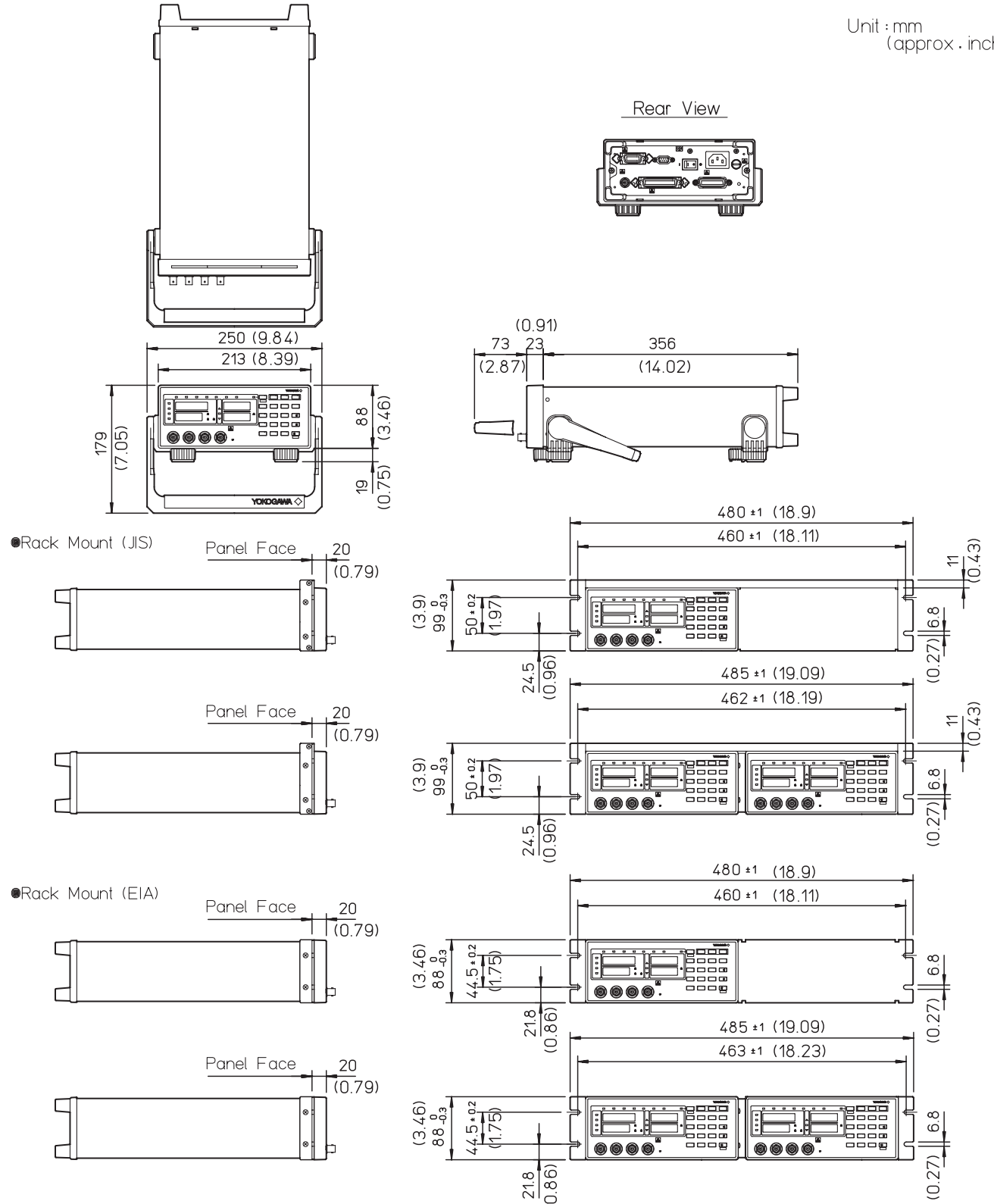


# Drawings

## MODEL 755601,755611 Digital Resistance Meter

755601

Unit : mm  
(approx . inch)



If not specified, the tolerance is ±3%. However, in cases of less than 10mm, the tolerance is ±0.3mm.