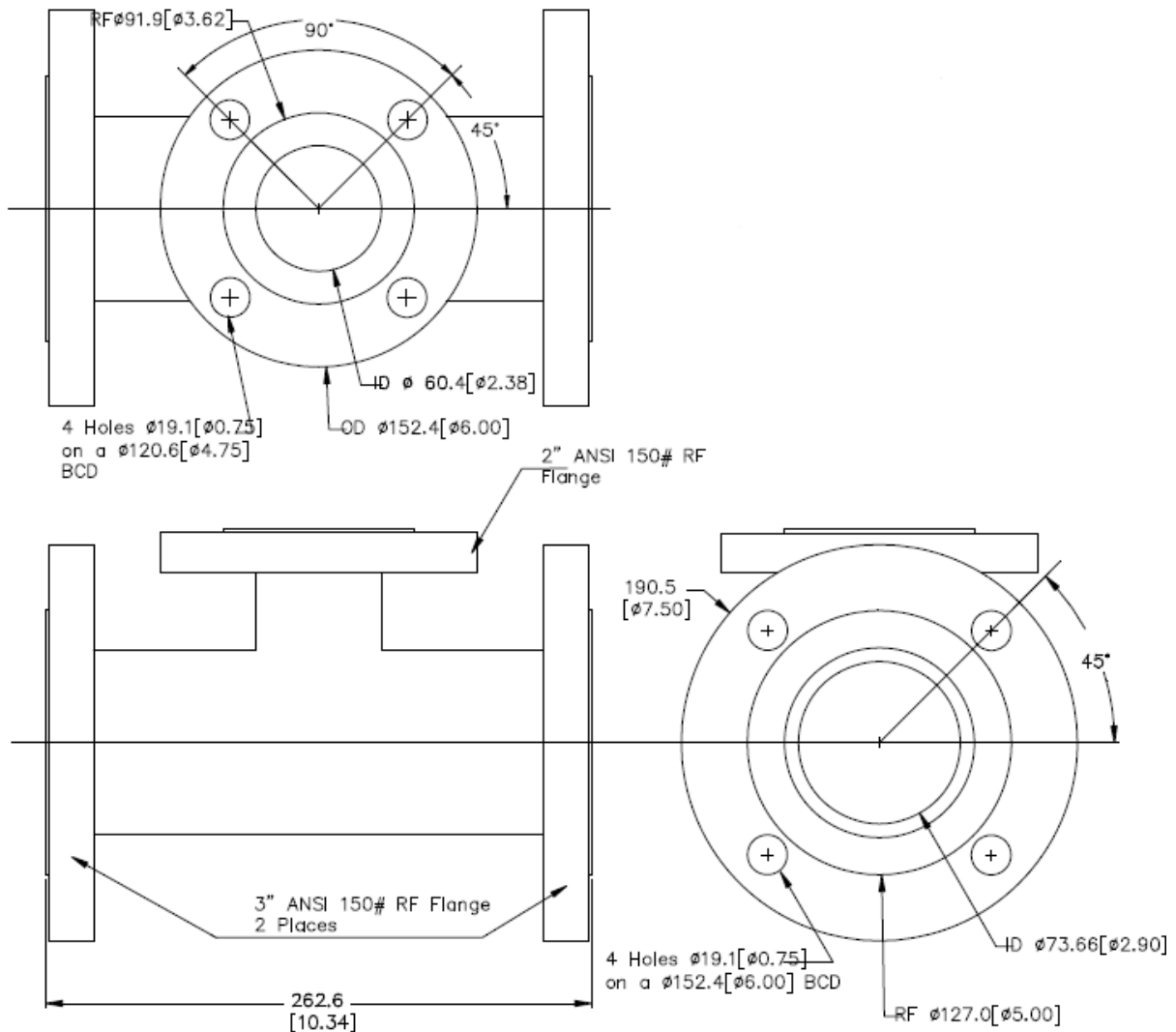


ISC40*-TG Installation With Local Tee Assembly

What You Need to know....

For customers who use our US tee (M1263BQ-A or M1234VN-A)



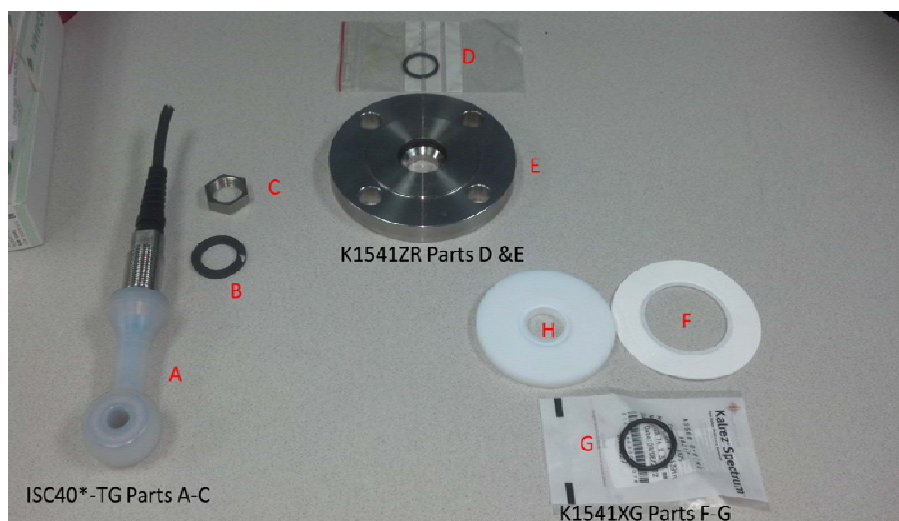
(M1263BQ-A Shown)

You have two options:

- I. Purchase the new ISC40*-TG sensor, K1541XG Sealing ring kit and purchase the standard Stainless Steel 2" flange K1541ZR.
- II. Purchase the new ISC40*-TG sensor, K1541XG Sealing ring kit and provide their own flange with a drilled hole $\phi 27$ mm.

Please note that the purpose of the sealing kit, K1541XG, is to be used where stainless steel cannot be used as a wetted material.

How do you assemble?



First remove parts B & C. Then install parts F,G,& H from the K1541XG sealing ring kit. Then install the flange and then part C, the nut from the ISC40*-TG sensor as shown below.

