



IECEX TEST REPORT COVER

| | |
|---|---|
| ExTR Reference Number..... | US/FMG/ExTR12.0028/01 |
| ExTR Free Reference Number | 3046362_RR203250 |
| Compiled by + signature (ExTL) | William Holmes <i>William P. Holmes</i> |
| Reviewed by + signature (ExTL)..... | Cheryl Gagliardi <i>Cheryl A. Gagliardi</i> |
| Approved by + signature (ExCB) | J. E. Marquedant <i>J.E. Marquedant</i> |
| Date of issue | 14 September 2016 |
| Ex Testing Laboratory (ExTL)..... | FM Approvals LLC |
| Address | 1151 Boston-Providence Turnpike, Norwood, MA 02062, USA |
| Ex Certification Body (ExCB)..... | FM Approvals LLC |
| Address | 1151 Boston-Providence Turnpike, Norwood, MA 02062, USA |
| Applicant's name..... | StoneL |
| Address | 26271 US Hwy 59; Fergus Falls MN 56537 USA |
| Standards associated with this ExTR package | IEC 60079-0 – Ed. 6, IEC 60079-1 – Ed. 6 |
| Clauses considered | All clauses considered |
| Test procedure..... | IECEX System |
| Test Report Form Number | ExTR Cover_5 (released 2014-01) |
| Test item description..... | Limit Switch |
| Model/type reference | Series AX |
| Code (e.g. Ex _ II_ T_)..... | <p>AXabcSefgh-xxx. Axiom Limit Switch. <i>Ex d IIC T5 Ta=-18°C to +50°C Gb</i> <i>Ex d IIC T6 Ta=-18°C to +35°C Gb</i></p> <p>IP66 / IP67</p> <p>a = Function 33S, 44S, 92S, 93S, 94S, 95S, 96S, or 97S. b = Solenoid 11, 1B, 1D, 1E, 1H, 2B, 2D, 2E, or 2H. c = Override X, N, M, or L. e = Enclosure V or T. f = Conduit Entries 02 or 05. g = Visual Indicator R, G, X, 1, or 2. h = Branding A or M. xxx = Options "Special Unit Digits"</p> <p><i>Note: 'Special Unit Digits' do not affect the integrity of the housing, the electrical safety, or the title plate.</i></p> <p>AXabcSefgh-xxx. Axiom Limit Switch. <i>Ex d IIC T5 Ta=-10°C to +60°C Gb</i> <i>Ex d IIC T6 Ta=-10°C to +45°C Gb</i></p> <p>IP66 / IP67</p> <p>a = Function 33S, 44S, 92S, 93S, 94S, 95S, 96S, or 97S. b = Solenoid 1A or 2A. c = Override X, N, M, or L. e = Enclosure V or T. f = Conduit Entries 02 or 05. g = Visual Indicator R, G, X, 1, or 2. h = Branding A or M. xxx = Options "Special Unit Digits"</p> |

Note: 'Special Unit Digits' do not affect the integrity of the housing, the electrical safety, or the title plate.

AXabcTefgh-xxx. Axiom Limit Switch.

Ex d IIC T5 Ta=-40°C to +80°C Gb
 Ex d IIC T6 Ta=-40°C to +65°C Gb

IP66 / IP67

- a = Function 33S, 44S, 93S, 94S, or 95S.
- b = Solenoid 11, 1B, 1D, 1E, 1H, 2B, 2D, 2E, or 2H.
- c = Override X, N, M, or L.
- e = Enclosure V or T.
- f = Conduit Entries 02 or 05.
- g = Visual Indicator R, G, X, 1, or 2.
- h = Branding A or M.
- xxx = Options "Special Unit Digits"

Note: 'Special Unit Digits' do not affect the integrity of the housing, the electrical safety, or the title plate.

AXabcTefgh-xxx. Axiom Limit Switch.

Ex d IIC T4 Ta=-40°C to +80°C Gb
 Ex d IIC T5 Ta=-40°C to +60°C Gb
 Ex d IIC T6 Ta=-40°C to +40°C Gb

IP66 / IP67

- a = Function 92S, 96S, or 97S.
- b = Solenoid 11, 1B, 1D, 1E, 1H, 2B, 2D, 2E, or 2H.
- c = Override X, N, M, or L.
- e = Enclosure V or T.
- f = Conduit Entries 02 or 05.
- g = Visual Indicator R, G, X, 1, or 2.
- h = Branding A or M.
- xxx = Options "Special Unit Digits"

Note: 'Special Unit Digits' do not affect the integrity of the housing, the electrical safety, or the title plate.

Rating..... :

| |
|---|
| ELECTRICAL RATINGS: 0.1A @ 110-125 VAC 20-125VDC |
| NAMUR 7-24VDC |
| |
| |
| 2 DI, 2 DO, 1 AI, DeviceNet Module Outputs: 200mA Max total; Messaging: Polling, Cyclic, Change of State; DeviceNet type 100 |
| 2 DI, 2 DO, Foundation Fieldbus, Bus Powered Outputs 6.5VDC, 2mA Max |
| 2 DI, 2 DO; Externally Powered Outputs: 160mA Max total; |
| 2 DI, 2 DO, 1 AI Module Outputs: 200mA Max Total |
| |
| 4 DI, 2 DO, Use AS-I Power Supply; 31.6 VDC max; AS-I Module Outputs: 200mA Max |
| 4 DI, 1 DO, Use AS-I Power Supply; 31.6 VDC max; AS-I Module Outputs: 100mA Max |

| | AX _____ S (Standard Temp Range) | AX _____ T (Extended Temp Range) |
|----------|--|--|
| 1A 2A | PIEZO VALVE RATINGS (if Installed): ELEC: 6.5 VDC 2mA max PRESS.: 40 to 120psi | N/A |
| 1B 2B | SOLENOID RATINGS (if Installed): ELEC: 24 VDC 1.8W max PRESS.: 40 to 120psi | SOLENOID RATINGS (if Installed): ELEC: 24 VDC 1.6W max PRESS.: 40 to 120psi |
| 1D 2D | SOLENOID RATINGS (if Installed): ELEC: 24VDC 0.5W max PRESS.: 40 to 120psi | SOLENOID RATINGS (if Installed): ELEC: 24VDC 0.5W max PRESS.: 40 to 120psi |
| 1E 2E | SOLENOID RATINGS (if Installed): ELEC: 12VDC 0.5W max PRESS.: 40 to 120psi | SOLENOID RATINGS (if Installed): ELEC: 12 VDC 0.5W max PRESS.: 40 to 120psi |
| 1H 2H | SOLENOID RATINGS (if Installed): ELEC: 24 VDC to 120VAC, 0.6W max PRESS.: 40 to 120psi | SOLENOID RATINGS (if Installed): ELEC: 24 VDC to 120VAC, 0.6W max PRESS.: 40 to 120psi |

All testing fully performed by ExTL Yes
staff at ExTL address above:

Instructions for Intended Use of ExTR Cover:

An ExTR Cover is the sole top-level document to associate together all other parts of an IECEx Test Report (ExTR) package. An ExTR package is comprised of an ExTR Cover and one or more associated ExTR documents (which may include Ex Test Reports, ExTR Addendums and ExTR of National Differences). All ExTR package documents are compiled and reviewed by the ExTL. The Issuing ExCB indicates final approval of the overall ExTR package on this ExTR Cover.

Copyright © 2014 International Electrotechnical Commission System for Certification to Standards Relating to Equipment for use in Explosive Atmospheres (IECEx System), Geneva, Switzerland. All rights reserved.

This blank publication may be reproduced in whole or in part for non-commercial purposes as long as the IECEx System is acknowledged as copyright owner and source of the material. The IECEx system takes no responsibility for, and will not assume liability for, damages resulting from the reader's interpretation of the reproduced material due to its placement and context.

Manufacturer's name : StoneL
 Address : 26271 US Hwy 59; Fergus Falls MN 56537 USA
 Trademark..... : 

Particulars: Test item vs. Test requirements

Classification of installation and use : stationary
 Ingress protection : IP66 / IP67
 Rated ambient temperature range (°C) : Varies, See Model Code

General remarks:

The test results presented in this ExTR package relate only to the item or product tested.

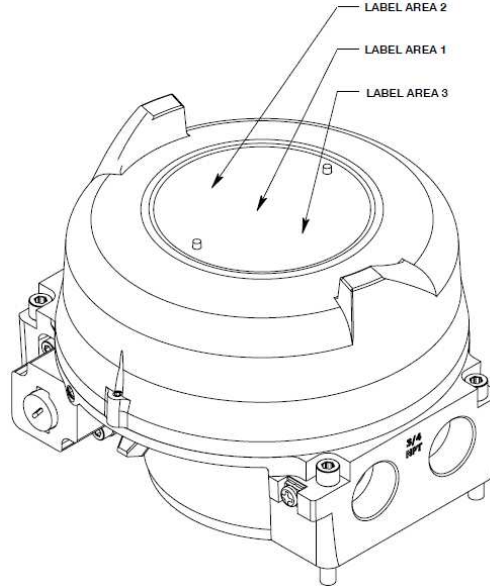
- "(see Attachment #)" refers to additional information appended to the ExTR package.
- "(see appended table)" refers to a table appended to the ExTR package.
- Throughout this ExTR package, a point is used as the decimal separator.
- Where the term "N/A" appears in any part of an ExTR package, it indicates that the associated issue was considered "Not applicable" to the involved evaluation.
- In accordance with IECEx 02, a Receiving ExCB may request a sample of the Ex equipment and copies of the documentation referred to in an ExTR Cover.

The technical content of this ExTR package shall not be reproduced except in full without the written approval of the Issuing ExCB and ExTL.

Copy of Marking Plate:

The marking of the Series AX consists of a stainless steel, etched, and color-filled label attached to the cover using two peened posts. Label area 1 contains the electrical rating information. Label area 2 contains the Model number, Serial number, Date code, manufacturer's name, and manufacturer's address. The variable information is mechanically stamped in the places provided on this label. Label area 3

contains the hazardous location ratings and certification information.

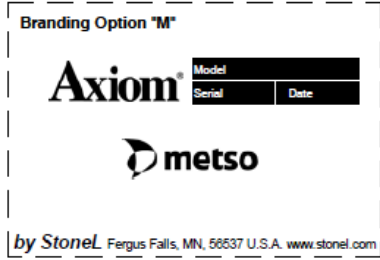
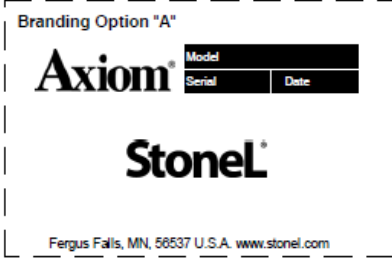


Label 1 - Typical electrical ratings (Function 33S plus Solenoid 1A or 2A) for Label 1 are as follows:

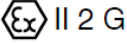

ELECTRICAL RATINGS: 0.1A @ 110-125 VAC
20-125VDC

PIEZO VALVE RATINGS (if Installed):
ELEC: 6.5 VDC 2mA max
PRESS.: 40 to 120psi

Label 2 is one of the following:



As noted on ExTR/00, Label 3 for the Certification marking is as follows. The ATEX marking has been added and includes the Ex , "II 2 G", CE , and Notified Body number "1725" for FM Approvals Ltd. The ATEX Certificate number "FM12ATEX????X" replaces the IECEx Certificate number "IECEx FMG12.0025X".

| |
|---|
| <div style="display: flex; justify-content: space-between; align-items: center;"> <div style="text-align: center;">  <p>FM12ATEX0096X IP66/IP67</p> </div> <div style="text-align: center;">  </div> </div> <p>Standard Temp "S"</p> <p>Models using B, D, E, H solenoids Ex d IIC T5 (Ta = -18°C to +50°C) Gb</p> <p>Models using B, D, E, H solenoids Ex d IIC T6 (Ta = -18°C to +35°C) Gb</p> <p>Models using A solenoid Ex d IIC T5 (Ta = -10°C to +60°C) Gb</p> <p>Models using A solenoid Ex d IIC T6 (Ta = -10°C to +45°C) Gb</p> <p>Extended Temp "T"</p> <p>92, 96, 97 modules with B, D, E, H solenoids Ex d IIC T4 (Ta = -40°C to +80°C) Gb</p> <p>92, 96, 97 modules with B, D, E, H solenoids Ex d IIC T5 (Ta = -40°C to +80°C) Gb</p> <p>92, 96, 97 modules with B, D, E, H solenoids Ex d IIC T6 (Ta = -40°C to +40°C) Gb</p> <p>33, 44, 93, 94, 95 modules with B, D, E, H solenoids Ex d IIC T5 (Ta = -40°C to +80°C) Gb</p> <p>33, 44, 93, 94, 95 modules with B, D, E, H solenoids Ex d IIC T6 (Ta = -40°C to +65°C) Gb</p> <p><small>NOTE: IN AMBIENT TEMP OVER 64°C USE FIELD WIRING RATED 90°C OR GREATER. IN AMBIENT TEMP OVER 74°C USE FIELD WIRING RATED 100°C OR GREATER</small></p> <p><small>WARNING: DO NOT OPEN WHEN AN EXPLOSIVE ATMOSPHERE IS PRESENT. TO REDUCE THE RISK OF ELECTROSTATIC SPARKING, THE EQUIPMENT SHALL BE CLEANED ONLY WITH A DAMP CLOTH.</small></p> <p><small>WARNING: APPLICATION IN ATMOSPHERES CONTAINING CARBON DISULPHIDE (CS₂) IS NOT PERMITTED.</small></p> <p><small>WARNING: CONSULT THE MANUFACTURER IF DIMENSION INFORMATION ON THE FLAMEPROOF JOINTS IS NECESSARY.</small></p> |
| <p>General remarks:</p> <ol style="list-style-type: none"> Original Test Data filed under Project Data Record 3040591 and Project Data Record 3046362. <p>General product information:</p> <p>General - The Axiom Series AX Limit Switch is a valve communication and control device for quarter-turn pneumatic valves. Internally mounted pilot valves control a main flow spool valve to operate the pneumatic valve to which this product is intended to be attached. The control modules and up to two pilot valves are housed inside a single flameproof compartment. All pneumatic lines are provided with flame arrestors and the enclosure is vented through additional flame arrestors.</p> <p>Construction - The material of the base and all covers are fabricated from either aluminum alloy A356.0-T61 with an Mg content < 0.45% of stainless steel casting alloy CF3M. Each cover is prevented from being inadvertently opening with an M4 set-screw that locks the cover to the base.</p> <p>Threaded entries – Either two ¾-14 NPT or two M25 threaded entries can be provided. The thread form is identified on the housing adjacent to the threaded entries.</p> <p>Gaskets and Seals – Buna-N o-ring seals are employed to provide IP66 / IP67 ingress protection.</p> <p>Details of change (applicable only when revising an existing ExTR package): Various documentation updates related to flame arrestor, and component changes. Changes also include labelling and manual updates.</p> |
| <p>In accordance with OD 024, testing not fully performed by ExTL staff at the above ExTL address: N/A</p> |
| <p>National differences considered as part of this evaluation, if any:</p> |

| |
|---|
| N/A |
| <p>“Specific Conditions of Use” for Ex Equipment or “Schedule of Limitations” for Ex Components, if any:</p> <ol style="list-style-type: none"> 1. To minimize the risk of electrostatic sparking, the equipment shall be cleaned only with a damp cloth. 2. Consult the manufacturer if dimensional information on the flameproof joints is necessary. 3. Application in atmospheres containing Carbon Disulphide (CS₂) is not permitted. |
| <p>Routine tests, if any: No routine tests are required.</p> |

| |
|---------------------------------|
| Manufacturer’s Documents |
|---------------------------------|

| Title: | Drawing No.: | Rev. Level: | Date: |
|--|--------------|----------------|-------------------------------------|
| Model Description, Axiom AX Series, IECEx Ex d | 000176 | A | 2012-08-16 |
| Critical Documents, Axiom AX Series, IECEx Ex d | 000177 | A C | 2012-08-16 2015-10-15 |
| Enclosure Information, Axiom AX series | 105305 | C | 2011-03-16 |
| Electrical Information, Axiom AX series | 105306 | A | 2011-10-24 |
| AX33 series IMO | 105328 | A B | -- |
| AX44 series IMO | 105329 | A | -- |
| AX92 series IMO | 105330 | A B | -- |
| AX93 series IMO | 105331 | A | -- |
| AX94 series IMO | 105332 | A | -- |
| AX95 series IMO | 105333 | A | -- |
| AX96 series IMO | 105334 | A | -- |
| AX97 series IMO | 105335 | A B | -- |
| Product Marking, Axiom AX Series, IECEx Ex d | 105343 | A | 2012-08-16 |
| Installation & Adjusting Instructions Addendum | 105344 | A | -- |
| Axiom AX Series, External Visual Indicator | 105349 | A | 2012-08-16 |
| Anodizing Specification, QX and AX | 110027 | A | 2008-01-24 |
| PAINT SPEC AX ENCLOSURE | 110032 | A | 2012-04-13 |
| Schematic, FF CPU/MAU Board | 200044 | F | 2004-10-20 |
| Schematic, Modbus (95) | 200049 | F | 2010-03-22 |
| Schematic, Foundation Fieldbus 94, Mother | 200054 | D | 2009-02-02 |
| Schematic, MAC36 Solenoid | 200062 | C | 2008-02-20 |
| Schematic, Axiom Asi | 200081 | C | 2009-08-31 |
| Schematic, Axiom, FF 93 Motherboard | 200082 | C | 2009-04-08 |
| Schematic, sensor board, axiom | 200085 | E | 2012-02-22 |
| Schematic, Axiom SST w/ uC, low cost | 200086 | H | 2011-10-31 |
| Schematic, Axiom Namur | 200093 | E | 2008-09-22 |
| Schematic, Axiom, Bus communications Interface | 200100 | C | 2005-09-20 |
| Schematic, Axiom dual solenoid SST | 200103 | C | 2011-10-27 |
| Schematic, Axiom dual solenoid, Universal driver | 200104 | B | 2011-10-27 |
| Schematic, Devicenet | 200186 | A | 2010-08-17 |
| FLAME ARRESTOR AX | 409135 | A D | 2010-05-03 2013-08-20 |
| Block, terminal, Beau, 10 pt. | 414720 | B | 2002-05-30 |
| Block, Terminal, 4 Point PBC Mount | 414722 | A | 2011-06-22 |
| Block, Terminal, Beau 8 Pt. | 414724 | B | 2002-05-30 |
| FF, CPU/MAU Board, Unpopulated | 418074 | C | 2002-02-18 |
| FF, CPU/MAU Board, Populated | 418075 | K L | 2011-12-19 2014-01-15 |
| Modbus, Unpopulated. | 418089 | E F | 2010-03-23 2013-01-09 |

| Title: | Drawing No.: | Rev. Level: | Date: |
|---|--------------|----------------|--------------------------|
| Modbus, Populated | 418090 | K L | 2010-03-23 2013-01-09 |
| Board, Foundation Fieldbus 94, Mother, Unpopulated | 418120 | E F | 2009-06-22 2012-11-26 |
| Board, Foundation Fieldbus 94, Mother, Populated | 418121 | J N | 2009-12-21 2013-12-16 |
| Board, Axiom, Asi, unpopulated | 418197 | D | 2011-07-29 |
| Board, Axiom, Asi, populated | 418198 | D E | 2011-07-29 2013-04-26 |
| Board, Axiom, FF 93 Motherboard, unpopulated | 418199 | C | 2009-04-08 |
| Board, Axiom, FF 93 Motherboard, populated | 418200 | G I | 2012-03-07 2013-12-17 |
| Board, sensor board, axoim, unpopulated | 418206 | E | 2012-02-22 |
| Board, sensor board, axoim, populated | 418207 | E | 2012-02-22 |
| Board, Axiom SST, low cost, unpopulated | 418208 | I | 2011-10-31 |
| Board, Axiom SST, low cost, populated | 418209 | P | 2011-10-31 |
| Board, Axiom Namur, unpopulated | 418215 | E F | 2008-09-22 2014-09-08 |
| Board, Axiom Namur, populated | 418216 | G H | 2008-09-22 2014-09-08 |
| Board, Axiom, Bus Interface, unpopulated | 418219 | C | 2005-09-20 |
| Board, Axiom, Bus Interface, populated | 418220 | E | 2010-12-23 |
| Board, membrane switch pad, 2 Buttons, 3 LEDs, Axiom | 418223 | E | 2009-09-03 |
| Board, Axiom dual solenoid, SST, unpopulated | 418226 | D | 2011-10-27 |
| Board, Axiom dual solenoid, SST, populated | 418227 | H I | 2011-10-27 2012-08-01 |
| Board, Axiom dual solenoid, solenoid driver, unpopulated | 418228 | C | 2011-10-27 |
| Board, Axiom dual solenoid, solenoid driver, populated | 418229 | F | 2011-10-27 |
| Board, Membrane, Axiom, Expeditor | 418264 | C D | 2009-09-03 2014-04-10 |
| Board, Unpopulated, MAC36 Coil | 418299 | A | 2007-07-18 |
| Board, Populated, MAC35 Coil | 418300 | B | 2008-02-19 |
| Board, DeviceNet, Unpopulated | 418378 | A B | 2010-08-11 2013-02-05 |
| Board, DeviceNet, Populated, Dual Module | 418379 | D E | 2012-02-24 2013-02-05 |
| Urethane potting, Conathane EN-14 black, mixed (qty. in cc) | 432029 | A | 2003-05-01 |
| Component, Isolation Inductor, ASi | 434092 | - | 1998-04-02 |
| Inductor, Isolation AS-i Ext Addr | 434218 | A | 2011-11-23 |
| Resistor, 9.1 Ohm, 5%, 1210 | 434219 | A | 2011-11-23 |
| CONNECTOR, BOARD STACKER 0.705", 10PIN, 0.05" PITCH | 434253 | A | 2010-12-15 |
| CONNECTOR, BOARD STACKER 0.425", 10PIN, 0.05" PITCH | 434254 | A | 2010-12-14 |
| Fuse, 0.032A 5x20mm | 434272 | A | 2011-11-23 |
| Piezo Valve, Hoerbiger No PS11001-630A, Onyx Pilot | 443014 | B | 2003-04-22 |
| Solenoid Valve, MAC36, 12VDC, 1/2W, MOD 7628 | 443022 | D | 2008-12-08 |
| Solenoid Valve, MAC36, 24VDC, 1/2W, MOD 7627 | 443023 | D | 2008-12-08 |
| Solenoid Valve, I.S. MAC36, 12VDC, 1/2W, W/ (MOD 7615) | 443025 | B | 2008-12-08 |
| Solenoid Valve, MAC36, 12VDC, 1/2W, MOD 7630 (Wide Temp) | 443026 | D | 2008-12-08 |
| Solenoid Valve, MAC36, 24VDC, 1/2W, MOD 7629 (Wide Temp) | 443027 | D | 2008-12-08 |
| Solenoid Valve, I.S. MAC36, 12VDC, 1/2W, MOD 7616 (Wide Temp) | 443029 | B | 2008-12-08 |
| Solenoid Valve, MAC36, 24VDC, 1.8W (MOD. 7626) | 443030 | D | 2008-12-08 |
| Solenoid Valve, MAC36, 24VDC, 1.8W, Wide Temp, MOD 7635 | 443038 | B | 2008-12-08 |