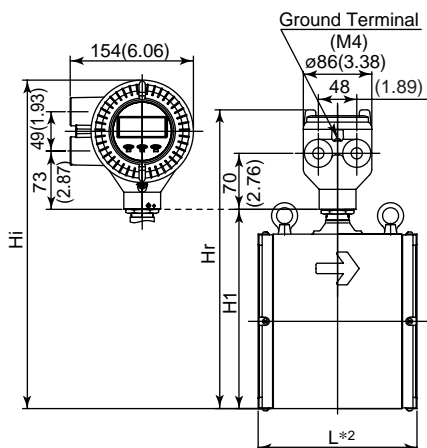


Drawings

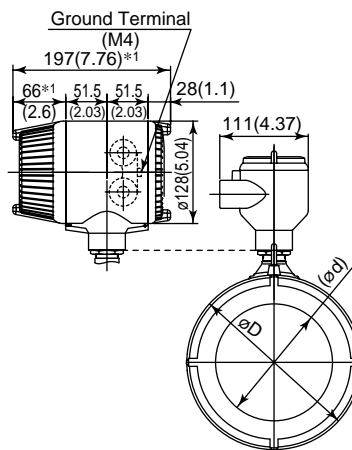
AXF150, AXF200

AXF Integral Flowmeter/Remote Flowtube Replacement Model for Earlier ADMAG or ADMAG AE (Wafer) Fluorocarbon PFA/Polyurethane Rubber Lining

Integral Flowmeter Remote Flowtube



Integral Flowmeter Remote Flowtube

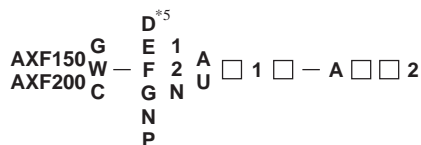


Unit : mm
(approx. inch)

Fig09E.EPS

*No infra-red switches are furnished for Fieldbus communication type.

Model code:



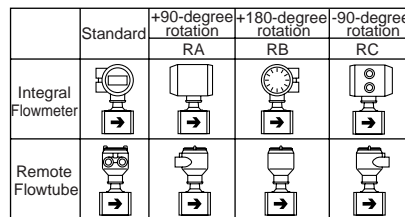
*5: D, E, F, G; Integral Flowmeter, N, P: Remote Flowtube

Model	Size code		150	200
	Size		150(6)	200(8)
	Lining code		A,U	A,U
Remote Flowtube	Face-to-face length	L*2	230(9.06)	300(11.81)
	Outside dia.	øD	202(7.95)	252(9.92)
Integral Flowmeter	Inner diameter of Grounding ring	ød	140.7(5.54)	188.9(7.44)
	Height	H1	243(9.57)	293(11.54)
Remote Flowtube	Max. Height	Hr	367(14.45)	417(16.42)
	Weight kg (lb)*3		17.9(39.5)	26.8(59.1)
Integral Flowmeter	Max. Height	Hi	405(15.93)	455(17.89)
	Weight kg (lb)		19.6(43.2)	28.5(62.8)

TD02-02E.EPS

Lining code : A; Fluorocarbon PFA, U; Polyurethane Rubber

* When option code RA, RB, or RC is selected, the direction of electrical connection change as below.



F19-1E.EPS

*1: When indicator code N is selected, subtract 12mm(0.47inch) from the value in the figure. In case of explosion proof type with indicator, add 5 mm (0.2 inch) to it.

*2: Depending on the selection of grounding ring code and optional code, add the following value to L(face-to-face length).

Grounding Ring Code	S, L, H, V	P, T	N	
Option Code	None	+0	+28(1.1)	-6(0.24)
	GA, GC, GD (Special Gaskets)	+2(0.08)	+30(1.18)	-

*3: When submersible type or option code DHC is selected, waterproof glands and a 30m long cable are attached. Add 9.5kg(20.9lb) to the weight in the table.

Unless otherwise specified, difference in the dimensions are specified as : General tolerance = ± (Criteria of tolerance class IT18 in JIS B0401) / 2

Integral Flowmeter

BRAIN/HART Communication Type

Terminal configuration

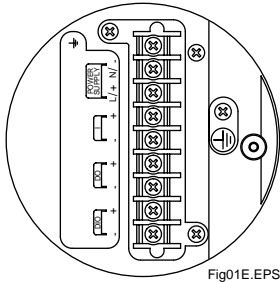


Fig01E.EPS

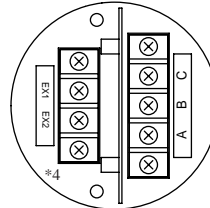
Terminal wiring

Terminal Symbols	Description
	Functional grounding
N/- L/+	Power supply
I+ I-	Current output 4 to 20mA DC
DO+ DO-	Pulse output/Alarm output/ Status output
DIO+ DIO-	Alarm output/Status output Status input
	Protective grounding (Outside of the terminal)

Fig01-2E.EPS

Remote Flowtube

Terminal configuration



*4: In case of explosion proof type, (functional grounding terminal) is added.

Fig02E.EPS

Terminal wiring

Terminal Symbols	Description
A B C	Flow signal output
EX1 EX2	Excitation current input
	Protective grounding (Outside of the terminal)

FOUNDATION Fieldbus/PROFIBUS PA Communication type

Terminal configuration

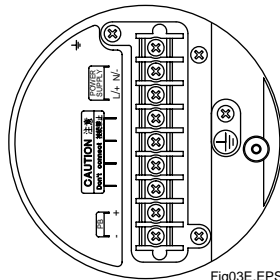


Fig03E.EPS

Terminal wiring

Terminal Symbols	Description
	Functional grounding
N/- L/+	Power supply
FB+ FB-	Fieldbus communication signal
	Protective grounding (Outside of the terminal)

Fig01-3E.EPS