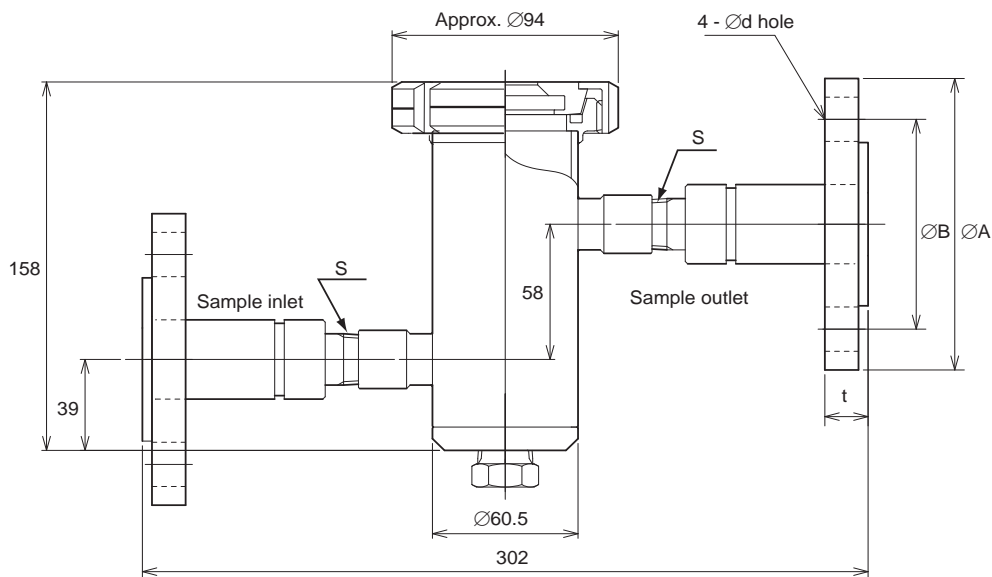


Model ISC40FFJ - SJ / FSJ2, ISC40FFJ - SA / FS2 Inductive Conductivity Metering System Flow-Through Type Holder

Unit: mm

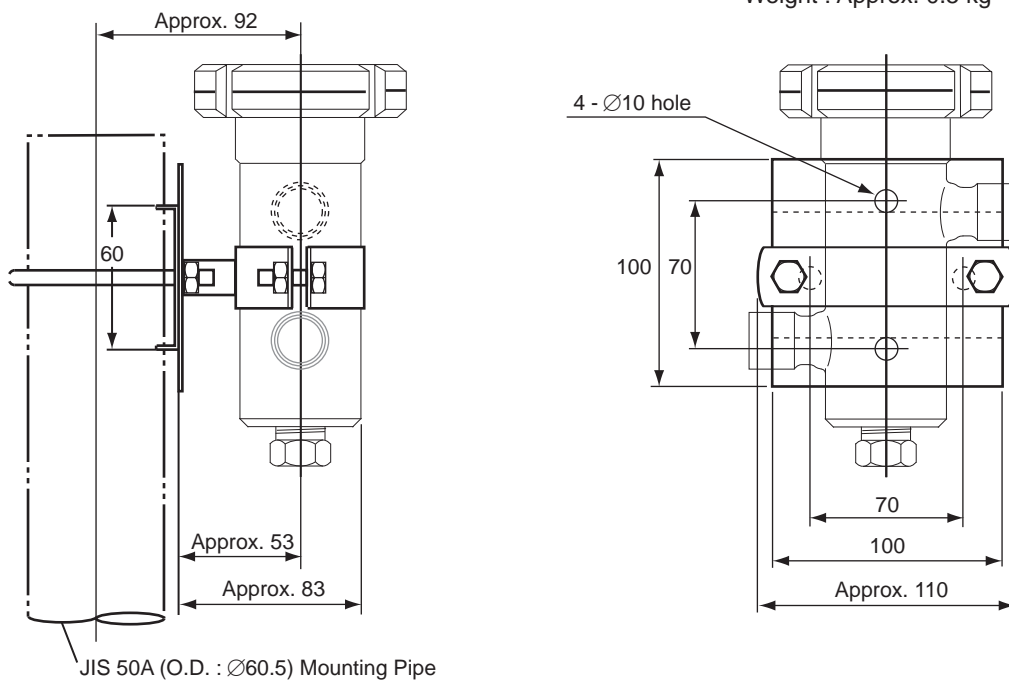
Unit : mm



Model code	Flange standard	A	B	d	t	S	Weight (kg)
ISC40FFJ - SJ / FSJ2	JIS 10K 25 RF	125	90	19	Approx. 18	R 1/2	Approx. 4.7
ISC40FFJ - SA / FS2	DIN PN10 DN25	115	85	14	Approx. 19	1/2 NPT	Approx. 4.7

□ Mounting Bracket - (Option Code : " / MS ")

Weight : Approx. 0.5 kg



Unless otherwise specified, differences in the dimensions are specified as : General tolerance=(Criteria of tolerance class IT18 in JIS B0401-1986)/2.