

# Prism PI by StoneL

Installation, Maintenance and  
Operating instructions



# Table of contents

|   |    |
|---|----|
| <b>1 General</b>  | 3  |
| 1.1 Introduction  | 3  |
| 1.2 Title plate markings  | 3  |
| 1.3 CE markings   | 3  |
| 1.4 Recycling and disposal  | 3  |
| 1.5 Safety precautions  | 3  |
| 1.6 Assembly drawing  | 4  |
| 1.7 Specifications for all models   | 4  |
| 1.8 Pneumatic valve specifications  | 5  |
| 1.9 Pneumatic valve schematics  | 5  |
| 1.10 Dimensions   | 6  |
| <b>2 Assembly and mounting</b>  | 7  |
| 2.1 Instructions  | 7  |
| 2.2 Prism PI assembly figure  | 8  |
| <b>3 Maintenance, repair and installation</b>                                 | 9  |
| 3.1 Maintenance and repair  | 9  |
| 3.2 Installation  | 9  |
| <b>4 Function specific details</b>  | 10 |
| 4.1 Sensor/switching modules  | 10 |
| 4.1.1 SST NO sensor (33S)   | 10 |
| 4.1.2 NAMUR sensor (45S)  | 11 |
| 4.1.3 Expeditor, standard stroke (80S & 80W)                                  | 13 |
| 4.1.4 Expeditor, long stroke (81S & 81W)                                      | 14 |
| 4.2 Valve communication terminals (VCT)                                       | 16 |
| 4.2.1 VCT with DeviceNet™ communication (92S & 92W)                           | 16 |
| 4.2.2 VCT with AS-Interface communication (96S & 96W)                         | 18 |
| 4.2.3 VCT with AS-Interface communication and extended addressing (97S & 97W) | 20 |
| <b>5 Wireless Link user guide</b>   | 22 |
| 5.1 Getting started   | 22 |
| 5.2 Home screen   | 22 |
| 5.3 Locked screen   | 22 |
| 5.4 Device detail screen  | 23 |
| 5.5 More information screen   | 24 |
| 5.6 Diagnostics screen  | 25 |
| 5.7 Federal Communication Commission (FCC) statement                          | 26 |
| <b>6 Model/Type code</b>  | 27 |
| <b>7 Regulatory, specific conditions of use, and product marking</b>          | 28 |
| <b>8 Appendix</b>   | 30 |
| 8.1 Controlled installation drawings  | 30 |

## Read these instructions first!

These instructions provide information about safe handling and operation of the Prism PI by StoneL. If you require additional assistance, please contact the manufacturer or manufacturer's representative. Addresses and phone numbers are printed on the back cover.

### Save these instructions.

Subject to change without notice.

All trademarks are property of their respective owners.

# 1 General

## 1.1 Introduction

This manual incorporates the Installation, Maintenance and Operation (IMO) instructions for the Prism PI series valve controllers. The Prism PI is designed to provide position feedback indication and pneumatic control of on/off automated valves.

### Note

The selection and use of the Prism PI in a specific application requires close consideration of detailed aspects. Due to the nature of the product, this manual cannot cover all the likely situations that may occur when installing, using, or servicing the Prism PI. If you are uncertain about the use of this device, or its suitability for your intended use, please contact StoneL for assistance.

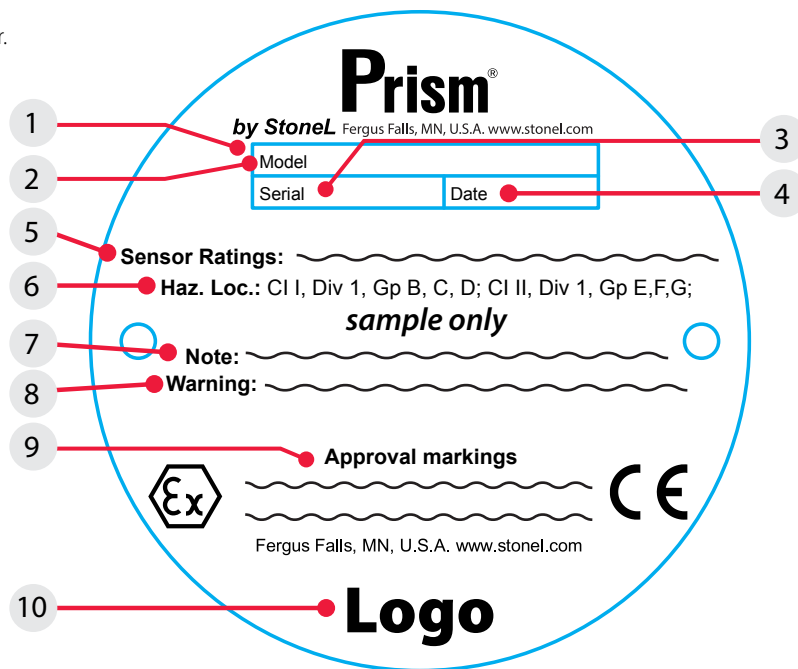
## 1.2 Title plate markings

The Prism PI has an identification plate attached to the cover.

1. Identification plate markings:
2. Model
3. Serial number
4. Date
5. Electrical rating(s)
6. Protection class information\*
7. Note
8. Warning
9. Approval markings\*
10. Logo

### Note

\* See page 28 for specific product markings.



## 1.3 CE markings

The Prism PI by StoneL meets the requirements of European Directives and has been marked according to the directive.

## 1.4 Recycling and disposal

Most Prism PI parts can be recycled if sorted according to material. In addition, separate recycling and disposal instructions are available from us. An Prism PI can also be returned to us for recycling and disposal for a fee.

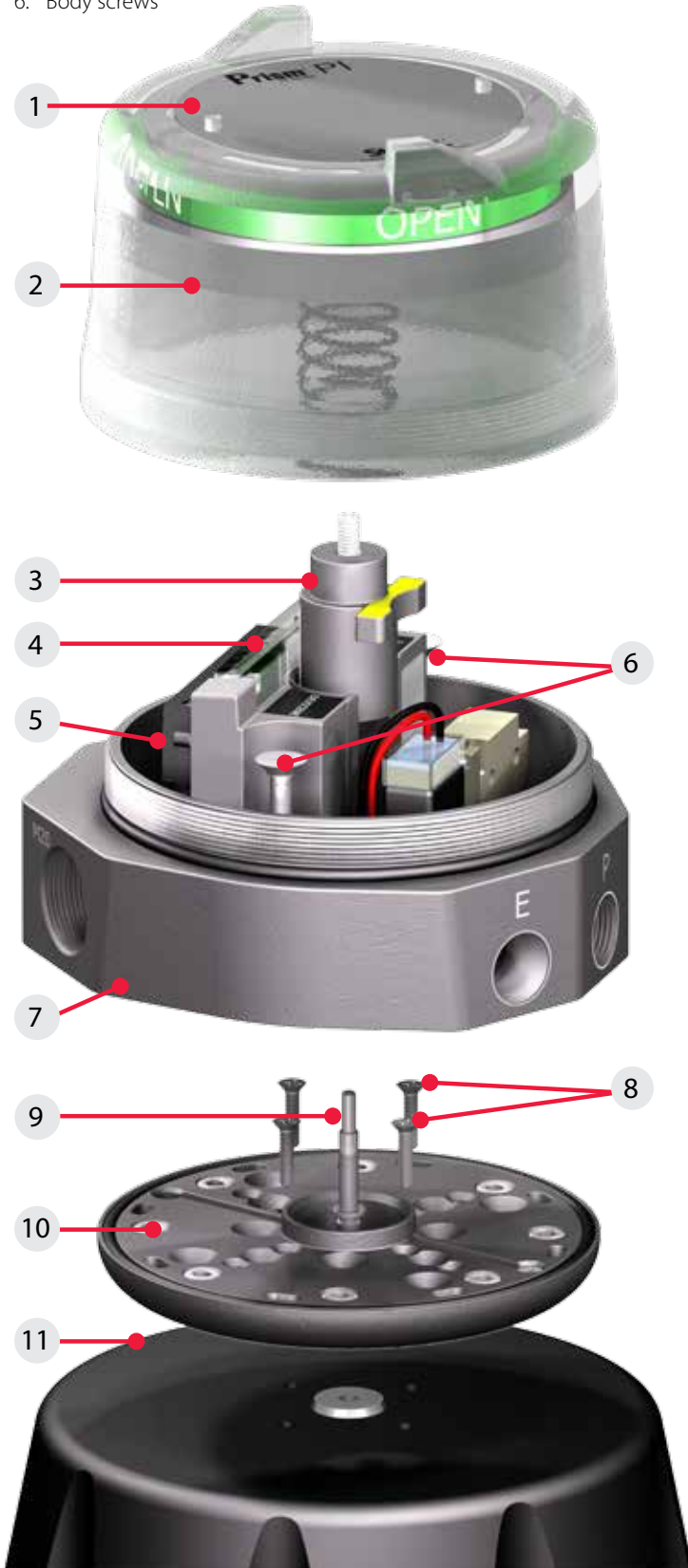
## 1.5 Safety precautions

Do not exceed the permitted values! Exceeding the permitted values marked on the limit switch may cause damage to the switch and to equipment attached to the switch and could lead to uncontrolled pressure release in the worst case. Damage to the equipment and personal injury may result.

To prevent ignition of hazardous atmospheres, replace cover before energizing the electrical circuits. Keep cover tightly closed when in operation.

### 1.6 Assembly drawing

- 1. Title plate
- 2. Cover
- 3. Trigger
- 4. Sensing Module
- 5. Internal ground lug
- 6. Body screws
- 7. Body
- 8. Mounting screws
- 9. Trigger assembly shaft
- 10. Mounting plate
- 11. Actuator



### 1.7 Specifications for all models

See page 10 for function specific details.

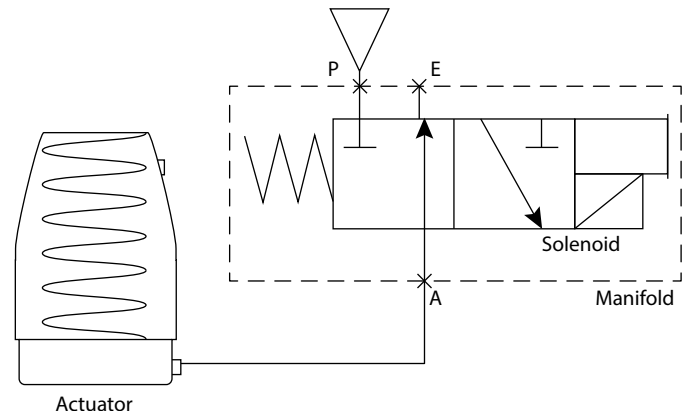
| Specifications  |  |  |
|---|--|--|
| <b>Materials of construction</b>  |  |  |
| Cover   | Clear polycarbonate  |  |
| Housing & mounting system   | Fiber reinforced polycarbonate and stainless steel             |  |
| Fasteners   | Stainless steel  |  |
| Mounting system   | Fiber reinforced polycarbonate and stainless steel             |  |
| Seals   | Buna N   |  |
| Valve manifold  | Polycarbonate with stainless steel reinforced 1/8" NPT porting |  |
| Trigger (magnetic)  | Polysulfone with black chromated zinc reinforcement            |  |
| Operating life  | Over 1 million cycles  |  |
| Temperature range   | -20° C to 60° C (-4° F to 140° F)                              |  |
| Unit with no solenoid   | -20° C to 60° C (-4° F to 140° F)                              |  |
| Unit with solenoid  | See 1.8 Pneumatic valve specifications                         |  |
| <b>Enclosure protection</b>   |  |  |
| Type 4, 4X, 6 and IP66 / IP67   |  |  |
| <b>Warranty</b>   |  |  |
| Sensing & communication module  | Five years   |  |
| Mechanical components   | Two years  |  |
| <b>Unit weights</b>   |  |  |
| Standard stroke   | 0.77 kg / 1.7 lb   |  |
| Long stroke   | 0.95 kg / 2.1 lb   |  |
| <b>Unit dimensions</b>  |  |  |
| Standard stroke no visual indicator   | Unit height  | 84.1 mm [3.31 in]                              |
|   | Cover removal clearance  | 25 mm [1 in]                                   |
| Standard stroke with visual indicator   | Unit height  | 107.9 mm [4.01 in]                             |
|   | Cover removal clearance  | 25 mm [1 in]                                   |
| Long stroke   | Unit height  | 163.3 mm [6.43 in]                             |
|   | Cover removal clearance  | 70 mm [2.75 in]                                |
| <b>Position sensing</b>   |  |  |
| Accuracy  | 1.0 mm [0.04 in]   |  |
| Repeatability   | 0.5 mm [0.02 in]   |  |
| Setting buffer (factory settings)   | Open   | - 25% of stroke length                         |
|   | Closed   | - 25% of stroke length up to 3.2 mm [0.125 in] |
| Deadband (factory settings)   | Open   | - 30% of stroke length                         |
|   |  | (variable; based on actual stroke)             |
|   | Closed   | - 30% of stroke length or 3.8 mm [0.15 in]     |
|   |  | (whichever is less)                            |
| <b>Ratings and approvals*</b>   |  |  |
| See page 28 or <a href="http://Stonel.com/approvals">Stonel.com/approvals</a>       |  |  |
| * Only models listed on Stonel's official website are approved per specific rating. |  |  |

## 1.8 Pneumatic valve specifications

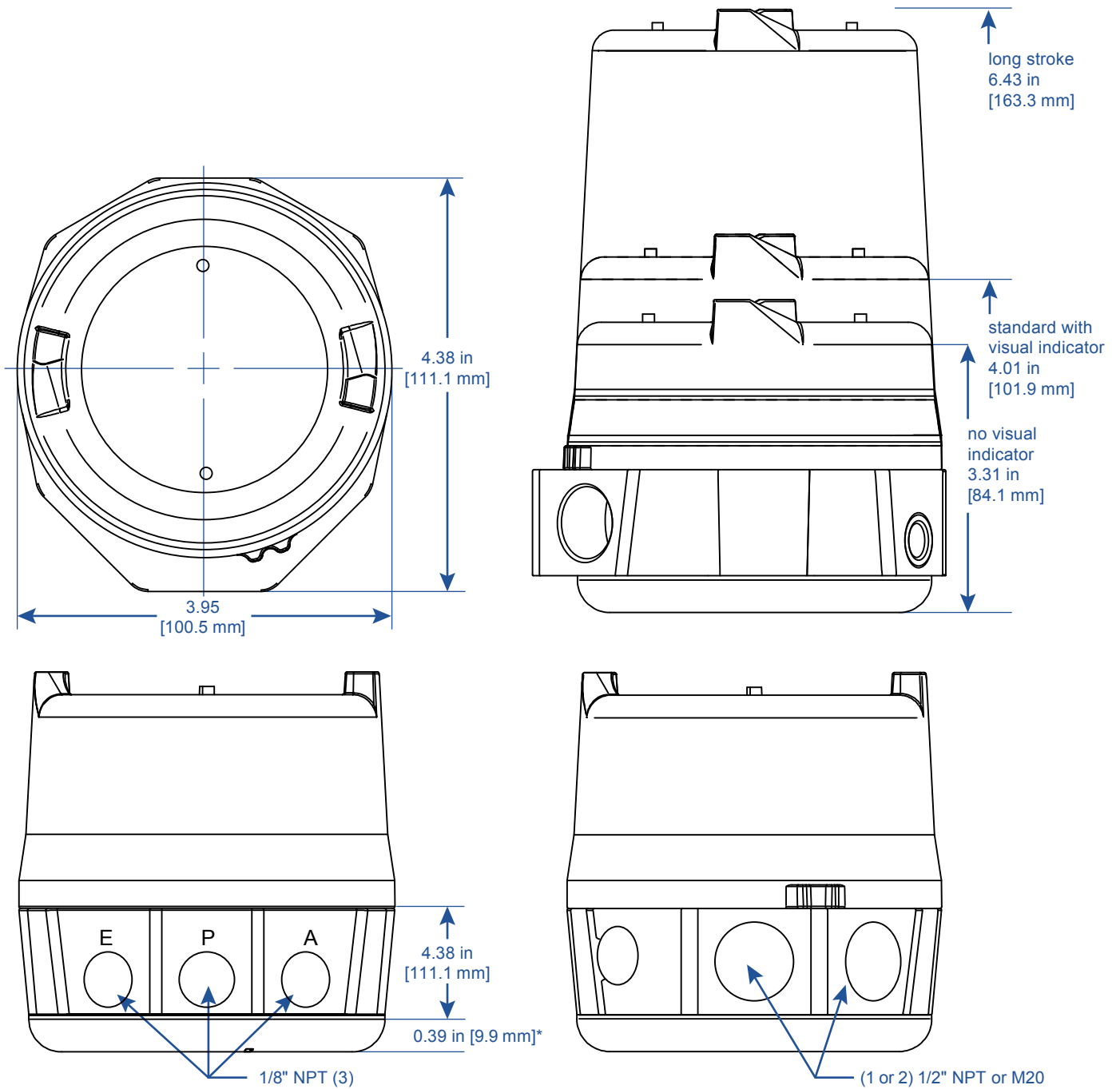
| Specifications                          |   |
|---|---|
| <b>General pneumatic specifications</b> |   |
| Configuration                           | 3-way, 2-position, spring return  |
| Type                                    | Direct acting   |
| Porting                                 | 1/8" NPT (stainless steel reinforced)   |
| Operating pressure                      | 25 psi to 140 psi (1.72 to 9.65 bar)  |
| Operating life                          | 1 million cycles  |
| Manual override                         | Internal momentary  |
| <b>Solenoid coil specifications</b>     |   |
| <b>1K (33_, 92_, 96_, 97_)</b>          |   |
| Operating voltage                       | 24 VDC  |
| Power consumption                       | 1.0 watt  |
| Flow rating                             | 0.2 Cv (Kv = 0.17 based on flow m3/hr)  |
| Operating temperature                   | -10° C to 50° C (14° F to 122° F)   |
| Filtration requirements                 | 40 microns  |
| <b>2K (80_, 81_)</b>                    |   |
| Operating voltage                       | 24 VDC  |
| Power consumption                       | 1.0 watt  |
| Flow rating                             | 0.2 Cv (Kv = 0.17 based on flow m3/hr)  |
| Operating temperature                   | -10° C to 50° C (14° F to 122° F)   |
| Filtration requirements                 | 40 microns  |
| <b>1M (33_)</b>                         |   |
| Operating voltage                       | 120 VAC   |
| Power consumption                       | 1.0 watt  |
| Flow rating                             | 0.2 Cv (Kv = 0.17 based on flow m3/hr)  |
| Operating temperature                   | -10° C to 50° C (14° F to 122° F)   |
| Filtration requirements                 | 40 microns  |
| <b>1N (33_)</b>                         |   |
| Operating voltage                       | 20 - 250 VAC; 20 - 55 VDC   |
| Power consumption                       | 12 mA @ 40 - 250 VAC (1.0 watt typical)   |
| Flow rating                             | 0.1 Cv (Kv = 0.08 based on flow m3/hr)  |
| Inrush current                          | 20 mA @ 20 - 55 VDC (0.5 watts typical)<br>3.75 A @ 125 VAC (typical)<br>3.0 A @ 220 VAC (typical)<br>0.15 A @ 24 VDC (typical) |
| Operating temperature                   | -20° C to 60° C (-4° F to 140° F)   |
| Filtration requirements                 | 50 microns  |
| <b>1N (92_, 96_, 97_)</b>               |   |
| Operating voltage                       | 24 VDC  |
| Power consumption                       | 0.5 watts   |
| Flow rating                             | 0.1 Cv (Kv = 0.08 based on flow m3/hr)  |
| Operating temperature                   | -20° C to 60° C (-4° F to 140° F)   |
| Filtration requirements                 | 50 microns  |
| <b>1N (45_)</b>                         |   |
| Operating voltage                       | 18 - 28 VDC   |
| Power consumption                       | 0.3 watts   |
| Flow rating                             | 0.1 Cv (Kv = 0.08 based on flow m3/hr)  |
| Operating temperature                   | -20° C to 60° C (-4° F to 140° F)   |
| Filtration requirements                 | 50 microns  |
| Entropy parameters                      | Ui=28 VDC, Ii=120 mA, Ci=3 nF, Li=0 mH, Pi=0.84 W   |

## 1.9 Pneumatic valve schematics

### 3-way, 2-position, direct acting



1.10 Dimensions



\*Part of mounting system

Note

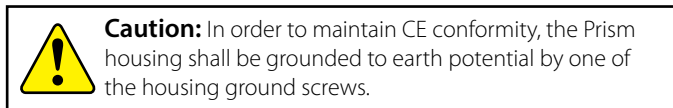
Prism PI certified dimensional drawing can be found under the download tab at [www.stonel.com/en/products/valve-communication/prism-pi/](http://www.stonel.com/en/products/valve-communication/prism-pi/)

## 2 Assembly and mounting

### 2.1 Instructions

#### Special notes:

- Mounting of the Prism PI requires a Stonel mounting kit specific to the actuator the Prism PI is to be mounted to.
- In high cycle or high vibration applications, blue Loctite® may be used on the Trigger shaft threads (Item G) and the Prism PI mounting plate screws (Item H).
- It is highly recommended that exhaust port E be fitted with a low restriction muffler or breather vent cap to prevent ingestion of water or debris into the pneumatic valve.



#### Steps

Refer to Prism PI assembly figure on page 8 when performing mounting and assembly procedures. Prism PI unit and mounting kit are supplied separately. From Prism PI shipping container, ensure items A, and F are present. From the mounting kit, ensure items G, H, I, and J are present.

1. From the mounting kit package, locate the trigger shaft (Item G), Prism mounting plate (Item J), and mounting plate fasteners (Item H). Ensure unit O-ring (Item I) and mounting plate O-ring (Item K) are present in the mounting plate.
2. Thread the trigger shaft into the actuator (Item L) (it is recommended that a drop of blue Loctite® be used on the trigger shaft threads). Tighten to approximately 15 - 20 in.lbs (1.7 - 2.3 Nm) with a small adjustable wrench.
3. Place the mounting plate onto the actuator and fasten down with provided screws (2-4). (use of blue Loctite® on these screws is optional). Tighten to approximately 15 - 20 in.lbs (1.7 - 2.3 Nm).
4. Take off cover (Item B) and remove the trigger assembly (Item F) from within the unit.
5. Place Prism PI unit (Item A) onto the mounting plate in the orientation desired (Prism PI body can be rotated on the mounting plate in 45° increments). Tighten the two body screws (Item D) with a M3 allen wrench to approximately 25 - 30 in.lbs (2.8 - 3.4Nm).
6. Back out the trigger assembly adjustment screw (Item E) approximately 1/8" with a M2 allen and place the trigger assembly into the corresponding slot of the sensing module (Item C), with a finger, press down firmly onto the trigger assembly shaft (See Detail - Fig. 1).
7. Turn the trigger assembly adjustment screw until the yellow marks on the trigger assembly are flush with the yellow marks on the sensing module (See Detail - Fig. 2)
8. After all wiring and sensor setting procedures have been completed, re-install cover and place unit in service.

Fig. 1 Trigger assembly detail

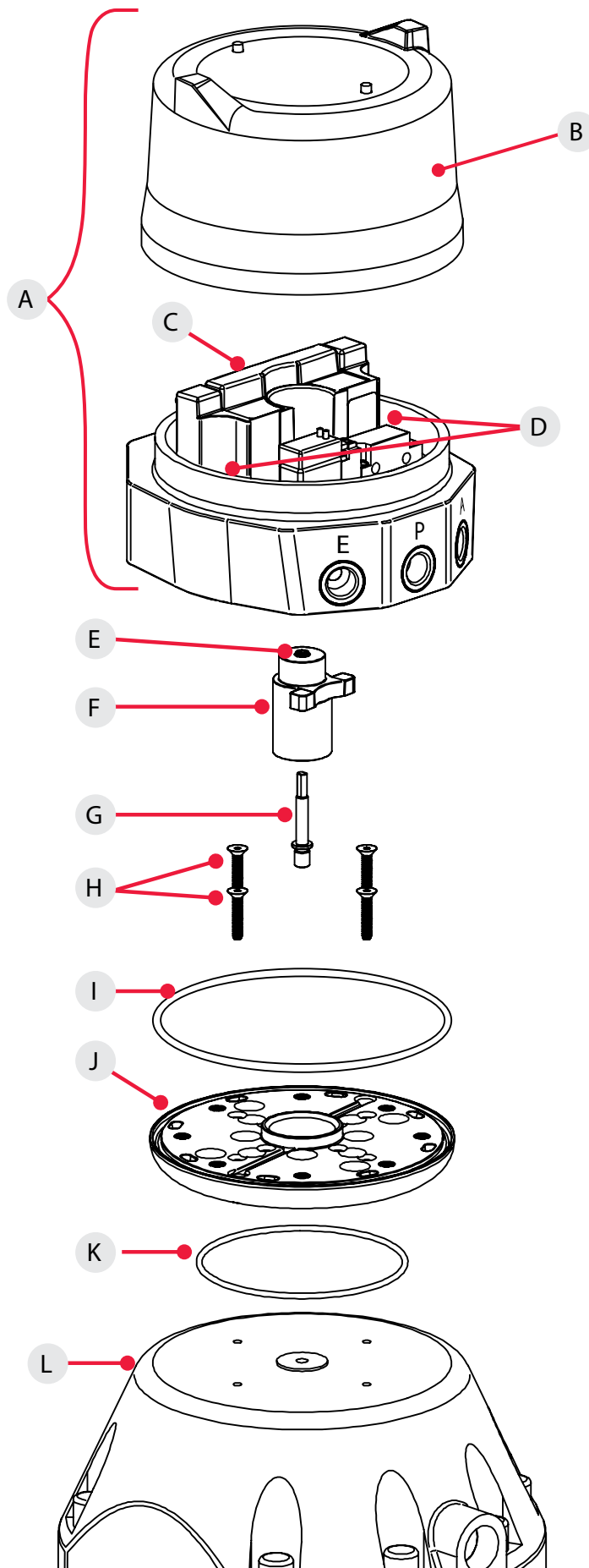


Fig. 2 Sensing module detail



## 2.2 Prism PI assembly figure

- A. Prism unit
- B. Cover
- C. Sensing module
- D. Body screws (2)
- E. Trigger assembly adjustment screw
- F. Trigger assembly
- G. Trigger shaft
- H. Mounting plate fasteners
- I. Unit O-ring
- J. Mounting plate
- K. Mounting plate O-ring
- L. Actuator





## 3 Maintenance, repair and installation

### 3.1 Maintenance and repair

No routine maintenance of Prism units is required when installed in environments for which they are designed. If installed in severe environments, pneumatic components may require replacement at more frequent intervals for maximum performance. Repair of Prism units must be done by StoneL or by qualified personnel that are knowledgeable about the installation of electromechanical equipment in hazardous areas. All parts needed for repair must be purchased through a StoneL authorized distributor to maintain warranty and to ensure the safety and compliance of the equipment.

### 3.2 Installation

#### WARNING

Solenoid power supplied must be limited with a fuse or circuit breaker rated to 2 Amps maximum.



**Attention:** If required, the Prism housing can be grounded to earth potential by either the internal lug. (See Assembly drawing 1.6 item 5 on page 4)



**Attention:** In order to maintain enclosure type and IP ratings, cover shall be tightened by hand until it stops on the surface of the base not to exceed 10 ft. lbs (13.5 Nm). Do not use any tool to tighten the cover.

#### Field wiring

- It is the responsibility of the installer, or end user, to install this product in accordance with the National Electrical Code (NFPA 70) or any other national or regional code defining proper practices.
- This product comes shipped with conduit covers in an effort to protect the internal components from debris during shipment and handling. It is the responsibility of the receiving and/or installing personnel to provide appropriate permanent sealing devices to prevent the intrusion of debris or moisture when stored or installed outdoors.
- When installed in ambient temperatures over 60° C, use field wiring rated for 90° C.

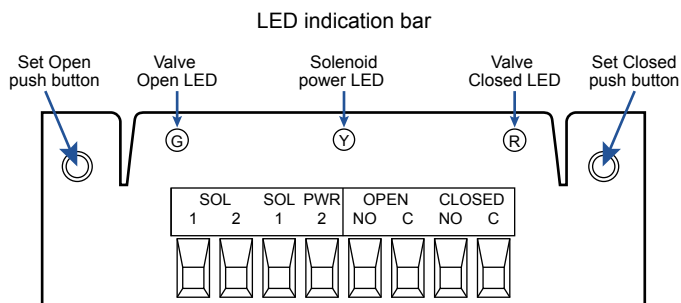
## 4 Function specific details

### 4.1 Sensor/switching modules

#### 4.1.1 SST NO sensor (33S)

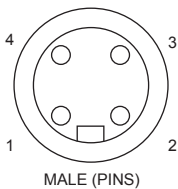
| Specifications             |  |
|----------------------------|--|
| Configuration              | (2) N.O. 2-wire solid state sensors  |
| Voltage range              | 20 - 125 VAC/VDC   |
| Minimum on current         | 2.0 mA   |
| Maximum continuous current | 0.1 amps   |
| Maximum leakage current    | 0.5 mA   |
| Maximum voltage drop       | 6.5 volts @ 10 mA<br>7.0 volts @ 100 mA  |
| Circuit protection         | Protected against short circuits and direct application of voltage with no load. |

#### Wiring diagrams



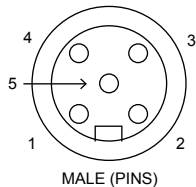
#### Common receptacle options pin-out

##### 4-PIN MICRO CONNECTOR (M12)



| Pin | Signal |
|-----|--------|
| 1   | TOP NO |
| 2   | BTM NO |
| 3   | BTM C  |
| 4   | TOP C  |

##### 5-PIN MICRO CONNECTOR (M12)

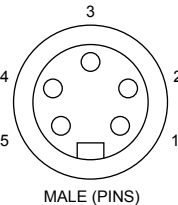


| Pin | No solenoid |
|-----|-------------|
| 1   | BTM C       |
| 2   | BTM NO      |
| 3   | not used    |
| 4   | TOP NO      |
| 5   | TOP C       |

| Pin | With solenoid |
|-----|---------------|
| 1   | TOP/BTM C     |
| 2   | BTM NO        |
| 3   | TOP NO        |
| 4   | SOL PWR 2     |
| 5   | SOL PWR 1     |

##### 5-PIN MINI CONNECTOR



#### WARNING

Do not apply external power to the SOL OUT terminals. This will cause permanent damage to the unit.



**Caution:** A series load resistor must be used when bench testing in order to ensure proper module operation.

#### Bench test procedure and sensor setting instructions

Power must be applied to both sensors to ensure proper circuit operation. Use a 24 VDC power supply with series load resistor, (2K - 6K  $\Omega$ ), connected to the 24 VDC+.

1. Connect 24 VDC+ to the CLOSED C (common) and OPEN C (common) terminals. Connect 24 VDC- to the CLOSED NO and OPEN NO terminals.
2. Operate actuator to the closed position.
3. Press and hold SET CLOSED button until the red LED is lit (2 seconds). Release button.
4. Operate actuator to the open position.
5. Press and hold SET OPEN button until the green LED is lit (2 seconds). Release button.
6. Setpoints are retained even after power is removed.

To electrically test solenoid, apply power to the SOL PWR IN terminals only.

#### Note

If using only one of the sensors for valve position feedback, the closed sensor (red) must be used.



**Caution:** Performing this procedure will cause the sensor inputs to change states. Performing this procedure is not recommended during a live process.

#### Expanded dead band setting feature

The Prism PI sensing module has the capability of changing the dead band of the open sensor from the factory setting of 30% of stroke to an expanded setting of 45%. It may be necessary to perform this procedure for applications in which the valve stroke varies between normal batch processing and SIP/CIP evolutions.

1. Ensure the open and closed sensors have been set before running this procedure. Valve can be in either the open or closed position.
2. With power applied to the Sensing Module press and hold both SET OPEN and SET CLOSED buttons until the red and green LEDs flash (five seconds). Release buttons.
3. Press and hold SET OPEN button until the green LED is lit (one second). Release button. Open sensor now has a 45% dead band.
4. To revert back to the factory default of 30% dead band, press and hold both SET OPEN and SET CLOSED buttons until the red and green LEDs flash (five seconds).
5. Press and hold SET CLOSED button until red LED is lit (one second). Release button.
6. Settings are retained even after power is removed.

## 4.1 Sensor/switching modules

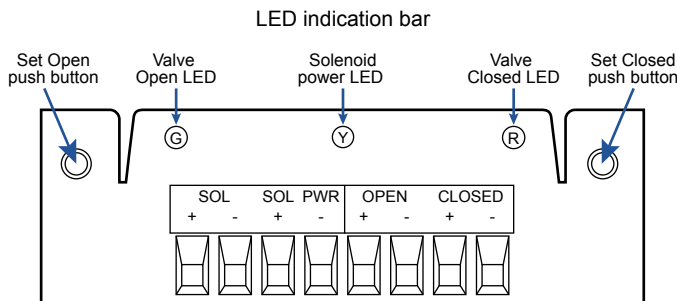
### 4.1.2 NAMUR sensor (45S)

| Specifications   |                                      |                  |
|--|--------------------------------------|------------------|
| Configuration  | (2) NAMUR sensors (EN 60947-5-6; IS) |                  |
| Voltage range  | 5 - 25 VDC                           |                  |
| Current ratings  | Target present                       | current < 1.0 mA |
|  | Target absent                        | current > 2.1 mA |
| <i>Use with intrinsically safe repeater barrier. NAMUR sensors conform to EN 60947-5-6 standard.</i> |                                      |                  |



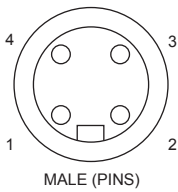
Reference controlled installation drawing #105432 for proper intrinsic safe installation details. Find document in the Appendix on page 30 or at [www.StoneL.com/en/products/prism/installation-manuals](http://www.StoneL.com/en/products/prism/installation-manuals)

#### Wiring diagrams



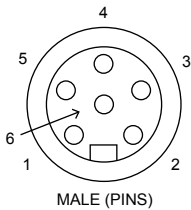
#### Common receptacle options pin-out

##### 4-PIN MICRO CONNECTOR (M12)



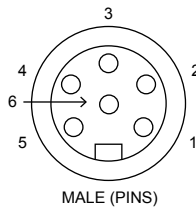
| Pin | Signal   |
|-----|----------|
| 1   | OPEN +   |
| 2   | CLOSED + |
| 3   | CLOSED - |
| 4   | OPEN -   |

##### 6-PIN MICRO CONNECTOR (M12)



| Pin | Signal    |
|-----|-----------|
| 1   | OPEN +    |
| 2   | OPEN -    |
| 3   | SOL PWR + |
| 4   | CLOSED +  |
| 5   | CLOSED -  |
| 6   | SOL PWR - |

##### 6-PIN MINI CONNECTOR



#### WARNING

Do not apply external power to the SOL OUT terminals. This will cause permanent damage to the unit.

#### Bench test procedure and sensor setting instructions

Power must be applied to both sensors to ensure proper circuit operation. Use a 24 VDC power supply. A series load resistor is not required when bench testing.

1. Connect 24 VDC+ to the CLOSED + and OPEN + terminals. Connect 24 VDC- to the CLOSED - and OPEN - terminals.
2. Operate actuator to the closed position.
3. Press and hold SET CLOSED button until Closed LED is lit (2 seconds). Release button.
4. Operate actuator to the open position.
5. Press and hold SET OPEN button until Open LED is lit (2 seconds). Release button. Both Open and Closed LEDs will be lit during mid-travel.
6. Setpoints are retained even after power is removed.

#### Note

If using only one of the sensors for valve position feedback, the Closed sensor (red) must be used.



**Caution:** Performing this procedure will cause the sensor inputs to change states. Performing this procedure is not recommended during a live process.

#### Expanded dead band setting feature

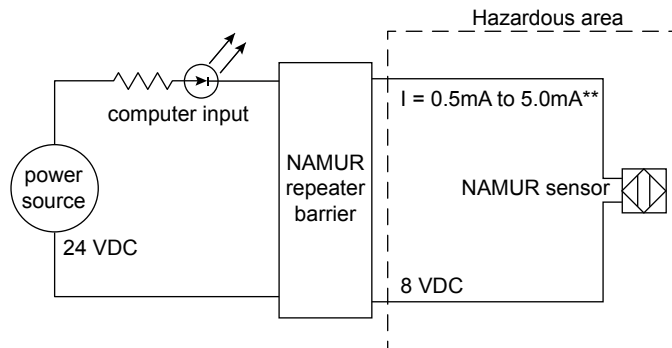
The Prism PI sensing module has the capability of changing the dead band of the open sensor from the factory setting of 30% of stroke to an expanded setting of 45%. It may be necessary to perform this procedure for applications in which the valve stroke varies between normal batch processing and SIP/CIP evolutions.

1. Ensure the open and closed sensors have been set before running this procedure. Valve can be in either the open or closed position.
2. With power applied to the Sensing Module press and hold both SET OPEN and SET CLOSED buttons until the red and green LEDs flash (five seconds). Release buttons.
3. Press and hold SET OPEN button until the green LED is lit (one second). Release button. Open sensor now has a 45% dead band.
4. To revert back to the factory default of 30% dead band, press and hold both SET OPEN and SET CLOSED buttons until the red and green LEDs flash (five seconds).
5. Press and hold SET CLOSED button until red LED is lit (one second). Release button.
6. Settings are retained even after power is removed.

### 4.1.2 NAMUR sensor (45S) continued

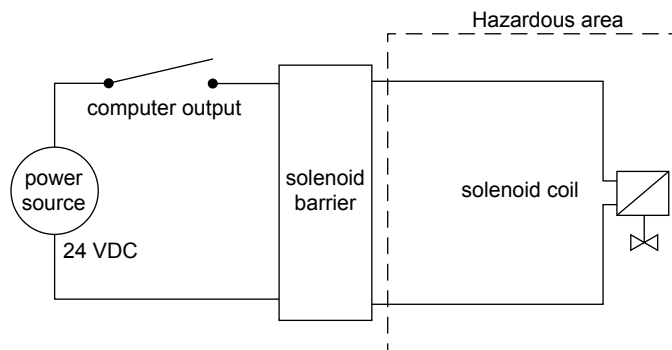
#### Typical basic intrinsically safe circuits

##### NAMUR sensor circuit



\*\* Barrier off state (target off): current in NAMUR sensor circuit >2.1 mA  
 Barrier on state (target on): current in NAMUR sensor circuit <1.0 mA

##### Solenoid circuit



## 4.1 Sensor/switching modules

### 4.1.3 Expeditor, standard stroke (80S & 80W)

| Specifications                |   |
|-------------------------------|---|
| Position control              | 4-20 mA loop, 10-30 VDC (NAMUR NE 43 compliant)   |
| Intermediate control range    | 20% - 80% of valve stroke   |
| Intermediate control accuracy | +/- 3 % of valve stroke   |
| Maximum resistance load       | 732 ohms @ 24 VDC   |
| Solenoid voltage              | 24 VDC  |
| Solenoid power                | 100 mA  |
| Refresh rate                  | 50 ms   |
| LED states                    | 4.0 - 7.1 mA = red LED / valve closed<br>7.2 - 16.8 mA = yellow LED / intermediate state<br>16.9 - 20 mA = green LED / valve open |
| Cycle life                    | 500,000 cycles (full cycles with intermediate positioning, cycle life may vary depending on intermediate toggling)                |

**WARNING**

Do not apply external power to the primary or secondary solenoid terminals. This will cause permanent damage to the unit.

#### Description of operation

The Prism expeditor is a valve monitoring and control package for linear actuators that provides open/closed and intermediate positioning functionality. Basic operation and intermediate control is accomplished by 24 VDC and a 4-20 mA output signal from a control system.

#### Basic operation

The Prism expeditor module is powered through the VDC IN terminals and 24 VDC must be present in order to calibrate the unit. The CNTRL IN signal is also required for basic operation of the unit. To stroke the valve fully closed position, apply a 4 mA signal. To stroke the valve fully open, apply a 20 mA signal.

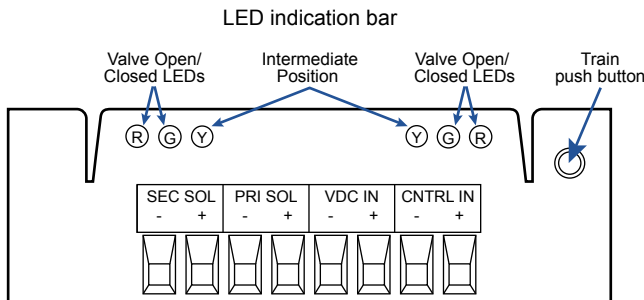
#### Intermediate position control

Intermediate positioning is accomplished by varying the 4-20 mA signal between 7.2 mA and 16.8 mA.

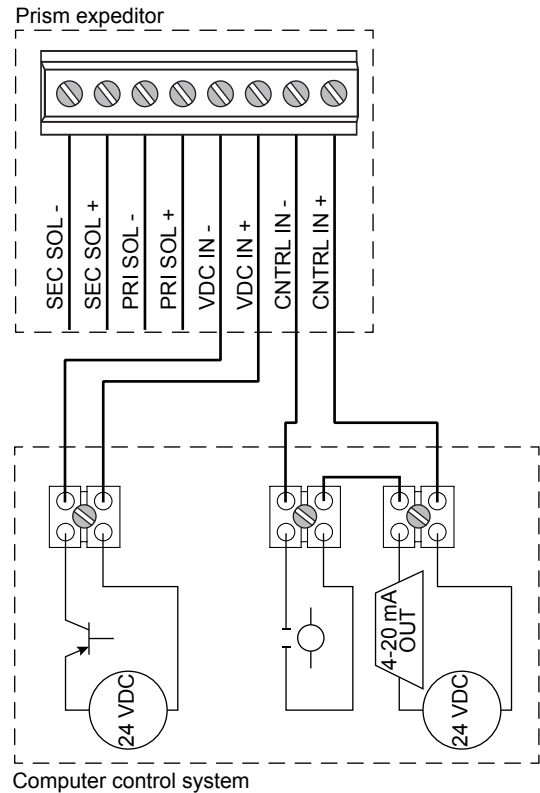
#### Note

Applying an out of range 4-20 mA signal (< 3.4 mA or > 21.1 mA) will drive valve to the 0% position and unlock the Wireless Link control override functionality (80W only). Wireless functionality allows remote monitoring, position control and TEACH capabilities. See page 22 for Wireless Link user guide.

#### Wiring diagrams



#### Basic installation example



#### Calibration

The VDC IN terminals must be connected to a 24 VDC power source and unit connected to supply air.

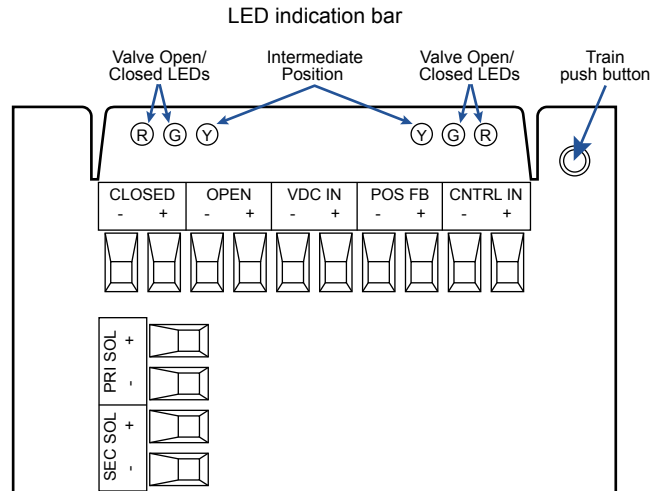
1. Actuate the valve to the 0% position, red LED will be lit.
2. Press and hold the TEACH button for 2 seconds. The valve will cycle open and closed one or more times while determining the valve operating characteristics. The red, green, and yellow LEDs will flash intermittently during these cycles.
3. Calibration will finish with the valve at the 0% position and the red LED will be lit.

### 4.1 Sensor/switching modules

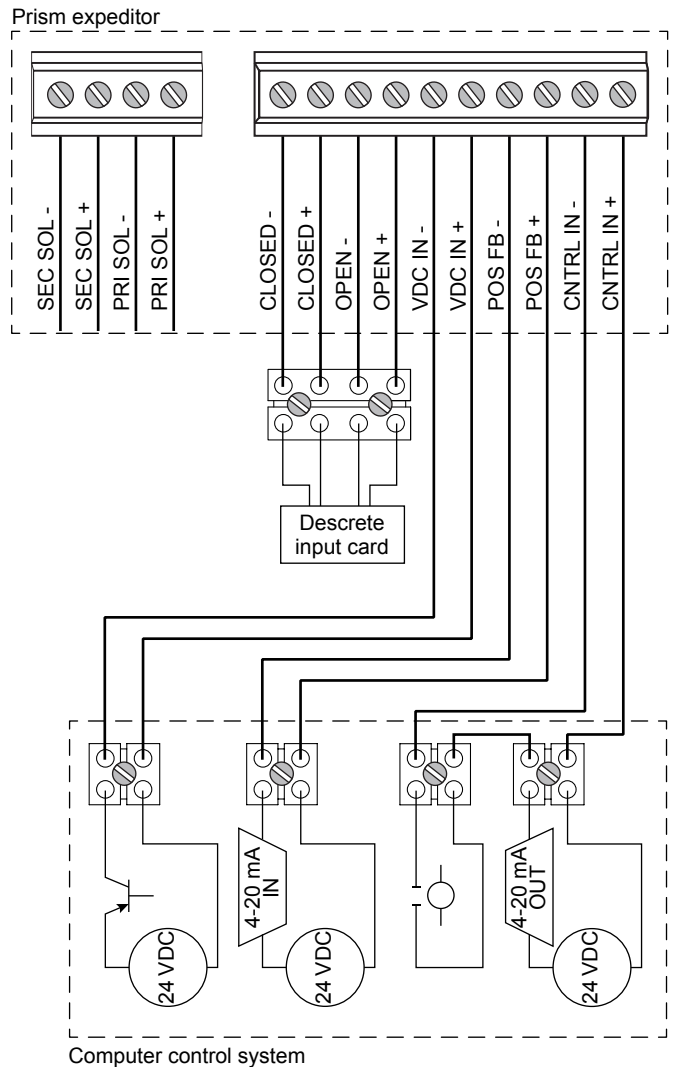
#### 4.1.4 Expeditor, long stroke (81S & 81W)

| Specifications                |   |
|-------------------------------|---|
| Position control              | 4-20 mA loop, 10-30 VDC (NAMUR NE 43 compliant)   |
| Position feedback             | 4-20 mA loop, 10-30 VDC (NAMUR NE 43 compliant)   |
| Discreet feedback             | (2) N.O. 2-wire solid state sensors   |
| Intermediate control range    | 20% - 80% of valve stroke   |
| Intermediate control accuracy | +/- 3 % of valve stroke   |
| Position feedback accuracy    | +/- 1 % of valve stroke   |
| Maximum resistance load       | 732 ohms @ 24VDC  |
| Solenoid voltage              | 24 VDC  |
| Solenoid power                | 100 mA  |
| Refresh rate                  | 50 ms   |
| LED states                    | 4.0 - 7.1 mA = red LED / valve closed<br>7.2 - 16.8 mA = yellow LED / intermediate state<br>16.9 - 20 mA = green LED / valve open |
| Cycle life                    | 500,000 cycles (full cycles with intermediate positioning, cycle life may vary depending on intermediate toggling)                |

#### Wiring diagrams



#### Basic installation example



#### 4.1.4 Expeditor, long stroke (81S & 81W) continued

**WARNING**

Do not apply external power to the primary or secondary solenoid terminals. This will cause permanent damage to the unit.

**Description of operation**

The Prism expeditor is a valve monitoring and control package for linear actuators that provides open/closed, intermediate positioning, and valve position feedback functionality. Basic operation and intermediate control is accomplished by 24 VDC and a 4-20 mA output signal from a control system.

**Basic operation**

The Prism expeditor module is powered through the VDC IN terminals and 24 VDC must be present in order to calibrate the unit. The CNTRL IN signal is also required for basic operation of the unit. To stroke the valve fully closed position, apply a 4 mA signal. To stroke the valve fully open, apply a 20 mA signal.

**Intermediate position control**

Intermediate positioning is accomplished by varying the 4-20 mA signal between 7.2 mA and 16.8 mA.

**Position feedback**

The Prism expeditor long stroke provides two different valve position feedback signals, a 4-20 mA signal and two discreet sensor signals for valve open and valve closed.

Connect a 4-20 mA input signal to the POS FB terminals to monitor valve position. Connect to the CLOSED and OPEN terminals to monitor valve position from the two discrete sensors.

**Note**

Applying an out of range 4-20 mA signal (< 3.4 mA or > 21.1 mA) will drive valve to the 0% position and unlock the Wireless Link control override functionality (80W only). Wireless functionality allows remote monitoring, position control and TEACH capabilities. See page 22 for Wireless Link user guide.

**Calibration**

The VDC IN terminals must be connected to a 24 VDC power source and unit connected to supply air.

1. Actuate the valve to the 0% position, red LED will be lit.
2. Press and hold the TEACH button for 2 seconds. The valve will cycle open and closed one or more times while determining the valve operating characteristics. The red, green, and yellow LEDs will flash intermittently during these cycles.
3. Calibration will finish with the valve at the 0% position and the red LED will be lit.

## 4.2 Valve communication terminals (VCT)

### 4.2.1 VCT with DeviceNet™ communication (92S & 92W)

| Specifications  |   |
|---|---|
| Communication protocol  | DeviceNet™  |
| Configuration   | (2) Discrete inputs (sensors)<br>(1) Auxiliary analog input (4-20 mA)<br>(2) Discrete outputs (solenoids) |
| Input voltage   | 11 - 25 VDC via DeviceNet™ network  |
| Output voltage  | 24 VDC  |
| Analog input impedance  | 254 ohms  |
| Quiescent current   | No analog input, no outputs energized:<br>45 mA @ 24 VDC; 69 mA @ 11 VDC                                  |
| Current consumption (coil energized)  | 66 mA @ 24 VDC - 0.5 w coil (1N)<br>83 mA @ 24 VDC - 0.9 w coil (1K)                                      |
| Maximum output current  | 167 mA (all outputs combined)   |
| Default address   | 63 (software assigned)  |
| Default baud rate   | 125K (software selectable 125K, 250K or 500K baud)  |
| Messaging   | Polling, cyclic and change of state   |
| DeviceNet™ type   | 100   |
| Bit mapping   |   |
| Inputs (3 bytes)  | Outputs (1 byte)  |
| Byte 0, bit 0 = red LED / valve closed  | Byte 0, bit 0 = solenoid 1  |
| Byte 0, bit 1 = green LED / valve open  | Byte 0, bit 1 = solenoid 2  |
| Byte 0, bit 7 = fault bit   | Byte 0, bit 2 = wink  |
| Byte 1, bits 8-15 = 4-20 mA analog input  | Byte 0, bit 3 = remote set closed   |
| Byte 2, bits 16-23 = 4-20 mA analog input (4-20 mA analog input 0-10,000 scaling) | Byte 0, bit 4 = remote set open   |
|   | Byte 0, bit 7 = wireless link enabled   |

**WARNING**

Do not apply external power to the output terminals. This will cause permanent damage to the unit.

#### Bench test procedure and sensor setting instructions

To test sensors, use a 24 VDC power supply. No series load resistor is required.

1. Apply power across the V+ and V- terminal points.
2. Operate actuator to the closed position.
3. Press and hold SET CLOSED button until red LED is lit (2 seconds). Release button.
4. Operate actuator to the open position.
5. Press and hold SET OPEN button until green LED is lit (2 seconds). Release button.
6. Setpoints are retained even after power is removed.

A functioning DeviceNet™ network is required to test communications and solenoids.

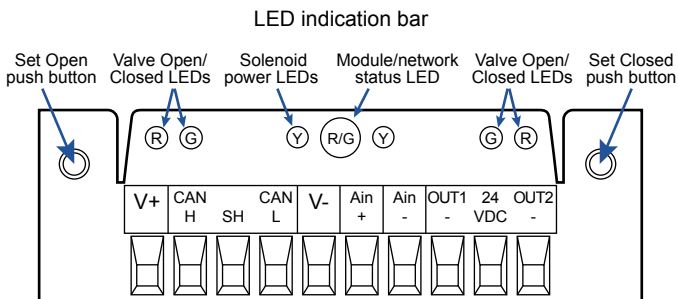
**Caution:** Performing this procedure will cause the sensor inputs to change states. Performing this procedure is not recommended during a live process.

#### Expanded dead band setting feature

The Prism PI sensing module has the capability of changing the dead band of the open sensor from the factory setting of 30% of stroke to an expanded setting of 45%. It may be necessary to perform this procedure for applications in which the valve stroke varies between normal batch processing and SIP/CIP evolutions.

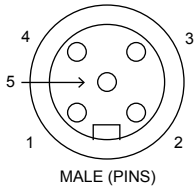
1. Ensure the open and closed sensors have been set before running this procedure. Valve can be in either the open or closed position.
2. With power applied to the Sensing Module press and hold both SET OPEN and SET CLOSED buttons until the red and green LEDs flash (five seconds). Release buttons.
3. Press and hold SET OPEN button until the green LED is lit (one second). Release button. Open sensor now has a 45% dead band.
4. To revert back to the factory default of 30% dead band, press and hold both SET OPEN and SET CLOSED buttons until the red and green LEDs flash (five seconds).
5. Press and hold SET CLOSED button until red LED is lit (one second). Release button.
6. Settings are retained even after power is removed.

#### Wiring diagrams

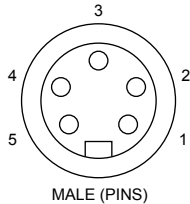


#### Common receptacle options pin-out

##### 5-PIN MICRO CONNECTOR (M12)



##### 5-PIN MINI CONNECTOR



| Pin | Signal |
|-----|--------|
| 1   | Shield |
| 2   | V +    |
| 3   | V -    |
| 4   | CAN H  |
| 5   | CAN L  |

#### Module/Network Status LED status

| DeviceNet™ status LED      | Fault description  |
|----------------------------|--|
| LED off                    | Device not powered, or is alone on the bus                                     |
| Solid green                | Device is online and allocated to a master                                     |
| Flashing green             | Device is online, but not allocated to a master                                |
| Flashing red (Minor Fault) | Output shorted   |
| Flashing red (Minor Fault) | No magnet detected   |
| Flashing red (Minor Fault) | Communication to protocol controller has failed                                |
| Flashing red (Minor Fault) | Connection to DeviceNet™ master has timed-out                                  |
| Flashing red (Minor Fault) | Address/baud switches are not equal to currently online values                 |
| Solid red (Major Fault)    | Internal sensor fault - sensor may need replacing                              |
| Solid red (Major Fault)    | Device has detected another device on the bus with the same DeviceNet™ address |
| Solid red (Major Fault)    | Device has detected a CAN network Bus-off fault                                |



## 4.2.1 VCT with DeviceNet™ communication (92S & 92W) continued



**Caution:** Power cycling unit with Byte 0, Bit 3 or Bit 4 set will cause the sensor(s) to set at that valve position. Ensure Byte 0, Bit 3 and Bit 4 are reset to 0 after performing a remote sensor setting.

### Remote sensor setting feature

The Remote Sensor Setting feature provides the capability of setting the closed and open sensors remotely from the control system.

1. DeviceNet™ communications are required in order to remotely set the sensors. The unit must be addressed and correctly configured to be recognized by the control system.
2. With the valve/actuator in the closed position, set byte 0, bit 3 to "1" for at least two seconds. This will set the closed sensor to that valve/actuator position. Set byte 0, bit 3 back to "0"
3. With the valve/actuator in the open position, set Byte 0, Bit 4 to "1" for at least two seconds. This will set the open sensor to that valve/actuator position. Set byte 0, bit 4 back to "0"

### Wink feature

The Wink feature provides the capability of setting the closed or open LEDs to simultaneously flash or wink at a 2 Hz rate. This feature aids in physically locating the unit on the network.

1. DeviceNet™ communications are required in order to set the Wink feature. The unit must be addressed and correctly configured to be recognized by the control system.
2. Set byte 0, bit 2 to "1" in the desired unit. Once the correct unit has been physically located on the network, indicated by the winking of the LEDs, set byte 0 bit 2 back to "0". Performing this function will not change the closed and open sensor setpoints.

### Fault Bit (input byte 0, bit 7)

The Fault Bit will set to a 1 when input byte 0, bits 0 and 1 are set to 1 or 0 at the same time.

When input byte 0, bits 0 and 1 are both set to 1, this would indicate that the valve is both open and closed at the same time. This would be an abnormal or Fault condition.

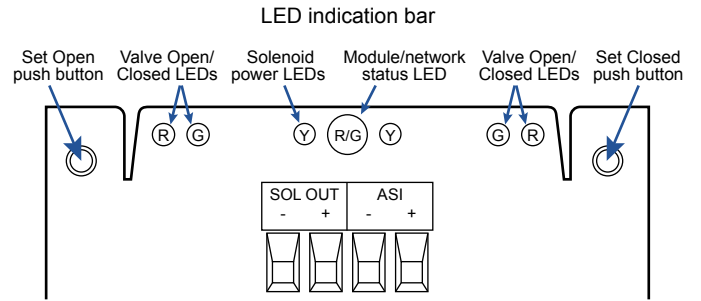
| Specifications for Wireless Link |  |
|----------------------------------|--|
| Communication                    | Bluetooth® technology; single mode (not compatible with Bluetooth Classic)   |
| Transmit power                   | 4dBm or ~2.5 milliwatts  |
| Data rate                        | 1 Mbit/second; effective information transmit rate ~10 Kbits/second  |
| Range                            | Up to 100 meters (330 feet) in free space. Range is reduced by obstructions between hand-held device and Wireless Link VCT. Line of site is not necessary. |
| Registrations                    | FCC, IC, CE  |
| CE compliance                    | Exceeds industrial compliance standards  |
| VCT identification               | VCTs in range will be displayed in order of signal strength  |
| VCT link                         | One device accessed at a time between client (hand-held device) and server (VCT). Each server accessed by one client at a time                             |
| Application                      | StoneL Wireless Link available from the App store  |
| Hand-helds                       | Compatible with iPhone® and iPad® with iOS 8 or later  |

## 4.2 Valve communication terminals (VCT)

### 4.2.2 VCT with AS-Interface communication (96S & 96W)

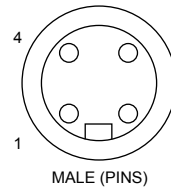
| Specifications                          |   |                    |
|---|---|--------------------|
| Communication protocol                  | AS-Interface v3.0   |                    |
| Configuration                           | (2) Discrete Inputs (sensors)<br>(1) Discrete Output (solenoid) |                    |
| Input voltage                           | 26.5 - 31.6 VDC (AS-I voltage)                                  |                    |
| Output voltage                          | 21-26 VDC   |                    |
| Quiescent current                       | 35 mA   |                    |
| Current consumption<br>(coil energized) | 56 mA - 0.5 w coil (1N)<br>73 mA - 0.9 w coil (1K)              |                    |
| Maximum output current                  | 167 mA  |                    |
| Default address                         | 00  |                    |
| ID/IO codes                             | ID = F; IO = 7; ID1 = F; ID2 = E (S.7.F.E.)                     |                    |
| Specifications unique to 96S            |   |                    |
| Bit assignment                          |   |                    |
| Inputs                                  | Outputs   |                    |
| Bit 0 = not used                        | Bit 0 = set closed  |                    |
| Bit 1 = not used                        | Bit 1 = set open  |                    |
| Bit 2 = green LED / valve open          | Bit 2 = SOL OUT   |                    |
| Bit 3 = red LED / valve closed          | Bit 3 = Wink  |                    |
| Specifications unique to 96W            |   |                    |
| Bit assignment                          |   |                    |
| Inputs                                  | Outputs   | Parameter          |
| Bit 0 = red LED / valve closed          | Bit 0 = SOL OUT   | Bit 0 = wink       |
| Bit 1 = green LED / valve open          | Bit 1 = not used  | Bit 1-3 = not used |
| Bit 2 = not used                        | Bit 2 = wireless link enabled                                   |                    |
| Bit 3 = not used                        | Bit 3 = not used  |                    |

### Wiring diagrams



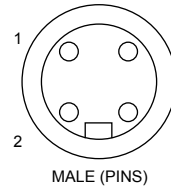
### Common receptacle options pin-out

#### 4-PIN MICRO CONNECTOR (M12)

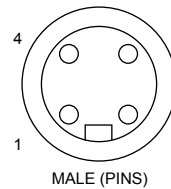


| Pin | Signal   |
|-----|----------|
| 1   | ASi +    |
| 2   | not used |
| 3   | ASi -    |
| 4   | not used |

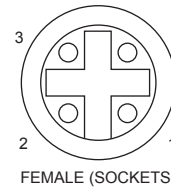
#### 4-PIN MINI CONNECTOR



#### 4-PIN MICRO MALE / 4-PIN MICRO FEMALE



| Pin | Signal   |
|-----|----------|
| 1   | ASi +    |
| 2   | not used |
| 3   | ASi -    |
| 4   | not used |



| Pin | Signal   |
|-----|----------|
| 1   | not used |
| 2   | not used |
| 3   | OUT 1 -  |
| 4   | OUT 1 +  |

## 4.2.2 VCT with AS-Interface communication (96S & 96W) continued

### WARNING

Do not apply external power to the output terminals. This will cause permanent damage to the unit.

### Bench test procedure and sensor setting instructions

To test sensors, use a 24 VDC power supply. No series load resistor is required.

1. Apply power across the ASi+ and ASi- terminal points.
2. Operate actuator to the CLOSED position.
3. Press and hold SET CLOSED button until red LED is lit (2 seconds). Release button.
4. Operate actuator to the OPEN position.
5. Press and hold SET OPEN button until green LED is lit (2 seconds). Release button.
6. Setpoints are retained even after power is removed.

A functioning AS-Interface network is required to test communications.



**Caution:** Performing this procedure will cause the sensor inputs to change states. Performing this procedure is not recommended during a live process.

### Expanded dead band setting feature

The Prism PI sensing module has the capability of changing the dead band of the open sensor from the factory setting of 30% of stroke to an expanded setting of 45%. It may be necessary to perform this procedure for applications in which the valve stroke varies between normal batch processing and SIP/CIP evolutions.

1. Ensure the open and closed sensors have been set before running this procedure. Valve can be in either the open or closed position.
2. With power applied to the Sensing Module press and hold both SET OPEN and SET CLOSED buttons until the red and green LEDs flash (five seconds). Release buttons.
3. Press and hold SET OPEN button until the green LED is lit (one second). Release button. Open sensor now has a 45% dead band.
4. To revert back to the factory default of 30% dead band, press and hold both SET OPEN and SET CLOSED buttons until the red and green LEDs flash (five seconds).
5. Press and hold SET CLOSED button until red LED is lit (one second). Release button.
6. Settings are retained even after power is removed.

### Power/Fault LED status

| AS-i status LED     | Fault description                                 |
|---------------------|---|
| LED off             | Device does not have power                        |
| Solid green         | Normal operation                                  |
| Flashing red/green  | Output shorted                                    |
| Flashing red/green  | No magnet detected                                |
| Flashing red/green  | Internal sensor fault - sensor may need replacing |
| Flashing yellow/red | No data exchange (device address = 0)             |
| Solid red           | No data exchange                                  |

### Remote sensor setting feature (96S only)

This feature provides the capability of setting the Closed and Open sensors remotely from the Control System or from the AS-Interface Gateway/Master.

1. AS-Interface communications are required in order to remotely set the sensors. The unit must be addressed and correctly configured to be recognized by the Control System or the AS-Interface Gateway/Master.
2. With the valve/actuator in the closed position, set Output Bit 1 (DO 0) to "1" for at least two seconds. This will set the Closed sensor to that valve/actuator position. Set Output Bit 1 (DO 0) back to "0"
3. With the valve/actuator in the open position, set Output Bit 2 (DO 1) to "1" for at least two seconds. This will set the Open sensor to that valve/actuator position. Set Output Bit 2 (DO 1) back to "0"

### AS-Interface Wink feature

This feature provides the capability of setting the CLOSED and OPEN LEDs to simultaneously flash or "wink". This feature aids in physically locating the unit on the network.

1. AS-Interface communications are required in order to set the "Wink" feature. The unit must be addressed and correctly configured to be recognized by the Control System or the AS-Interface Gateway/Master.
2. Set Output Bit 4 (DO 3) to "1" in the desired unit. Once the correct unit has been physically located on the network, indicated by the "winking" of the CLOSED and OPEN LEDs, set Output Bit 4 (DO 3) back to "0". Performing this function will not change the Closed and Open sensor setpoints.

### Specifications for Wireless Link

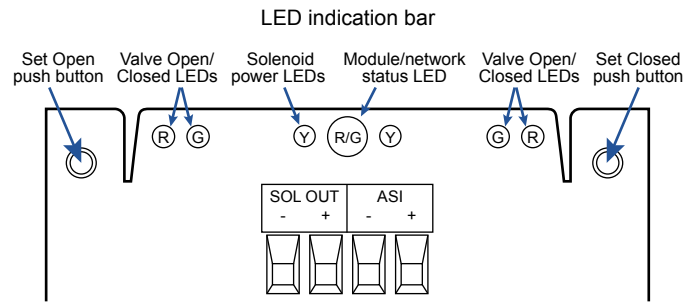
|                    |   |
|--------------------|---|
| Communication      | Bluetooth® technology; single mode (not compatible with Bluetooth® Classic)   |
| Transmit power     | 4dBm or ~2.5 milliwatts   |
| Data rate          | 1 Mbit/second; effective information transmit rate ~10 Kbits/second   |
| Range              | Up to 100 meters (330 feet) in free space. Range is reduced by obstructions between handheld device and Wireless Link VCT. Line of site is not necessary. |
| Registrations      | FCC, IC, CE   |
| CE compliance      | Exceeds industrial compliance standards   |
| VCT identification | VCTs in range will be displayed in order of signal strength   |
| VCT link           | One device accessed at a time between client (hand-held device) and server (VCT). Each server accessed by one client at a time                            |
| Application        | StoneL Wireless Link available from the App store   |
| Hand-helds         | Compatible with iPhone® and iPad® with iOS 8 or later   |

## 4.2 Valve communication terminals (VCT)

### 4.2.3 VCT with AS-Interface communication and extended addressing (97S & 97W)

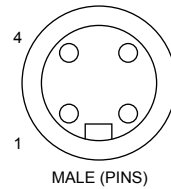
| Specifications                          |   |                    |
|---|---|--------------------|
| Communication protocol                  | AS-Interface v3.0   |                    |
| Configuration                           | (2) Discrete Inputs (sensors)<br>(1) Discrete Output (solenoid) |                    |
| Input voltage                           | 26.5 - 31.6 VDC (AS-I voltage)                                  |                    |
| Output voltage                          | 21-26 VDC   |                    |
| Quiescent current                       | 35 mA   |                    |
| Current consumption<br>(coil energized) | 56 mA - 0.5 w coil (1N)<br>73 mA - 0.9 w coil (1K)              |                    |
| Maximum output current                  | 167 mA  |                    |
| Default address                         | 0A  |                    |
| ID/IO codes                             | ID = A; IO = 7; ID1 = F; ID2 = E (S.7.A.E.)                     |                    |
| Specifications unique to 97S            |   |                    |
| Bit assignment                          |   |                    |
| Inputs                                  | Outputs   |                    |
| Bit 0 = not used                        | Bit 0 = set closed  |                    |
| Bit 1 = not used                        | Bit 1 = set open  |                    |
| Bit 2 = green LED / valve open          | Bit 2 = SOL OUT   |                    |
| Bit 3 = red LED / valve closed          | Bit 3 = not available   |                    |
| Specifications unique to 97W            |   |                    |
| Bit assignment                          |   |                    |
| Inputs                                  | Outputs   | Parameter          |
| Bit 0 = red LED / valve closed          | Bit 0 = SOL OUT   | Bit 0 = wink       |
| Bit 1 = green LED / valve open          | Bit 1 = not used  | Bit 1-3 = not used |
| Bit 2 = not used                        | Bit 2 = wireless link enabled                                   |                    |
| Bit 3 = not used                        | Bit 3 = not available   |                    |

### Wiring diagrams



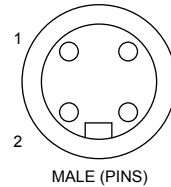
### Common receptacle options pin-out

#### 4-PIN MICRO CONNECTOR (M12)

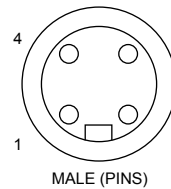


| Pin | Signal   |
|-----|----------|
| 1   | ASi +    |
| 2   | not used |
| 3   | ASi -    |
| 4   | not used |

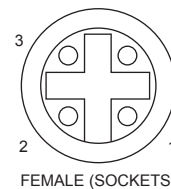
#### 4-PIN MINI CONNECTOR



#### 4-PIN MICRO MALE / 4-PIN MICRO FEMALE



| Pin | Signal   |
|-----|----------|
| 1   | ASi +    |
| 2   | not used |
| 3   | ASi -    |
| 4   | not used |



| Pin | Signal   |
|-----|----------|
| 1   | not used |
| 2   | not used |
| 3   | OUT 1 -  |
| 4   | OUT 1 +  |

### 4.2.3 VCT with AS-Interface communication and extended addressing (97S & 97W) continued

#### WARNING

Do not apply external power to the output terminals. This will cause permanent damage to the unit.

#### Bench test procedure and sensor setting instructions

To test sensors, use a 24 VDC power supply. No series load resistor is required.

1. Apply power across the ASi+ and ASi- terminal points.
2. Operate actuator to the CLOSED position.
3. Press and hold SET CLOSED button until red LED is lit (2 seconds). Release button.
4. Operate actuator to the OPEN position.
5. Press and hold SET OPEN button until green LED is lit (2 seconds). Release button.
6. Setpoints are retained even after power is removed.

A functioning AS-Interface network is required to test communications.



**Caution:** Performing this procedure will cause the sensor inputs to change states. Performing this procedure is not recommended during a live process.

#### Expanded dead band setting feature

The Prism PI sensing module has the capability of changing the dead band of the open sensor from the factory setting of 30% of stroke to an expanded setting of 45%. It may be necessary to perform this procedure for applications in which the valve stroke varies between normal batch processing and SIP/CIP evolutions.

1. Ensure the open and closed sensors have been set before running this procedure. Valve can be in either the open or closed position.
2. With power applied to the Sensing Module press and hold both SET OPEN and SET CLOSED buttons until the red and green LEDs flash (five seconds). Release buttons.
3. Press and hold SET OPEN button until the green LED is lit (one second). Release button. Open sensor now has a 45% dead band.
4. To revert back to the factory default of 30% dead band, press and hold both SET OPEN and SET CLOSED buttons until the red and green LEDs flash (five seconds).
5. Press and hold SET CLOSED button until red LED is lit (one second). Release button.
6. Settings are retained even after power is removed.

#### Power/Fault LED status

| AS-i status LED     | Fault description                                 |
|---------------------|---|
| LED off             | Device does not have power                        |
| Solid green         | Normal operation                                  |
| Flashing red/green  | Output shorted                                    |
| Flashing red/green  | No magnet detected                                |
| Flashing red/green  | Internal sensor fault - sensor may need replacing |
| Flashing yellow/red | No data exchange (device address = 0)             |
| Solid red           | No data exchange                                  |

#### AS-Interface Wink feature

This feature provides the capability of setting the CLOSED and OPEN LEDs to simultaneously flash or “wink”. This feature aids in physically locating the unit on the network.

1. AS-Interface communications are required in order to set the “Wink” feature. The unit must be addressed and correctly configured to be recognized by the Control System or the AS-Interface Gateway/Master.
2. Set Output Bit 4 (DO 3) to “1” in the desired unit. Once the correct unit has been physically located on the network, indicated by the “winking” of the CLOSED and OPEN LEDs, set Output Bit 4 (DO 3) back to “0”. Performing this function will not change the Closed and Open sensor setpoints.

#### Specifications for Wireless Link

|                    |   |
|--------------------|---|
| Communication      | Bluetooth® technology; single mode (not compatible with Bluetooth® Classic)   |
| Transmit power     | 4dBm or ~2.5 milliwatts   |
| Data rate          | 1 Mbit/second; effective information transmit rate ~10 Kbits/second   |
| Range              | Up to 100 meters (330 feet) in free space. Range is reduced by obstructions between handheld device and Wireless Link VCT. Line of site is not necessary. |
| Registrations      | FCC, IC, CE   |
| CE compliance      | Exceeds industrial compliance standards   |
| VCT identification | VCTs in range will be displayed in order of signal strength   |
| VCT link           | One device accessed at a time between client (hand-held device) and server (VCT). Each server accessed by one client at a time                            |
| Application        | StoneL Wireless Link available from the App store   |
| Hand-helds         | Compatible with iPhone® and iPad® with iOS 8 or later   |

## 5 Wireless Link user guide

### 5.1 Getting started

Before using this guide, ensure that you have downloaded the most current version of the StoneL Wireless Link app to your iPhone® or iPad® from the App Store. It is an iPhone® app but designed to work with an iPad® as well. When searching the App Store on an iPad®, ensure that the drop-down menu at the top of search results page is set to "iPhone Only." Your iOS device must be running iOS 8 or later and be equipped with *Bluetooth*® technology to use the StoneL Wireless Link app. The app is not compatible with *Bluetooth*® Classic.

Make sure that your iOS device has its *Bluetooth*® capability turned on when attempting to use the StoneL Wireless Link app. This can be found under your iOS device's settings. To ensure that you have good *Bluetooth*® reception, keep your iOS device within 33 ft [10 m] of the module that you wish to connect to. The range of your *Bluetooth*® device may be affected by many things, including interference from other devices and physical obstructions.

#### WARNING

Upon disconnect or master disabling overrides, output forces will be removed and valve may cycle.

### 5.2 Home screen

#### Selecting a valve

After opening the StoneL Wireless Link app, you are directed to the home screen. This screen allows you to browse and select a specific automated valve when multiple valves are present.

1. All energized wireless modules within range of your iOS device will appear on the screen (Image 1). If no powered devices are within range, the device list will be blank.
2. To identify a specific valve when multiple valves are present, select the wink button next to the unit you wish to select (Item A). This will cause the module's LEDs to blink for 30 seconds, or until you press the "Stop Winking" button (Item B)
3. Choose a specific valve by selecting the row that relates to the unit you wish to select (Item C), this will direct you to the device detail screen.

#### Note

The list of devices present can be refreshed by swiping downward on the home screen.

#### Releasing a device

Once you have selected a device, it will be paired to your Apple device until you unpair it.

1. In order for another Apple device user to access control with their wireless link app, unpair your device by going back to the home screen/device list.

#### Menu

Selecting the menu (Item D) on the upper left corner of the home screen allows you access import and export features (Image 2).

1. The device list import allows you to import: valve tag number, device address, baud rate (if applicable), valve/actuator description and additional information from a CSV file.
2. The device list export allows you to export: valve tag number, device address, baud rate (if applicable), valve/actuator description, valve position, stroke time, cycle count data, and additional information to a CSV file.

### 5.3 Locked screen

If the icons on the device detail screen appear grayed-out or unavailable to select, this means the master is still in control. (Image 3) Check to ensure that the power supply is set to IR addressing mode (AS-i only) or enable the control override bit for the device (AS-i DO Bit 2; DeviceNet™ Byte 0, Bit 7).

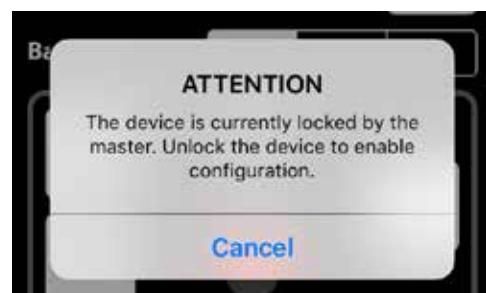
Image 1



Image 2



Image 3



## 5.4 Device detail screen

You can customize the tag for a device, change the address, change the baud rate (if applicable), force the solenoids on or off, cause the device to wink, and set the open/closed limits from the device detail screen (Image 4a, 4b, or 4c).

### Changing the device tag or address on a DeviceNet unit

- To change the tag, edit the existing tag in the associated text field (Item E). The tag can be up to sixteen characters long.
- To change the DeviceNet address, edit the existing address in the associated text field (Item G). The DeviceNet address for the 92W can be 1 to 63
  - When changing the address, a warning screen will appear indicating this action could disrupt the process. Select cancel or continue.
  - Select continue and alter the address via number pad and select done. A warning screen will appear indicating the choice to reset now or reset later. Resetting the device could disrupt the process.
  - Selecting reset now will implement the address change of the device.
  - Selecting reset later will not implement device address change until selecting reset slave (Item F) and will cause the device address to indicate pending status.
- To change the device baud rate (Item H), select the desired rate from the choices. The device default baud rate is 125K.
  - When changing the baud rate, a warning screen will appear indicating this action could disrupt the process. Select reset now or reset later.
  - Selecting reset now will implement the change to the baud rate of the device.
  - Selecting reset later will not implement the change to the baud rate of the device until selecting reset slave.
- Selecting reset slave will cause a warning screen to appear indicating resetting the device could disrupt the process. Select continue to implement changes made to the device address and/or device baud rate.

### Changing the device tag or address on an ASi unit

- To change the tag, edit the existing tag in the associated text field (Item M). The tag can be up to sixteen characters long.
- To change the AS-i address, edit the existing address in the associated text field (Item N). The AS-i address for the 97W can be 0A to 31A or 0B to 31B.
  - When changing the address, a warning screen will appear indicating this action could disrupt the process. Select cancel or continue.
  - Select continue and alter the address via number pad and select done.

### Forcing the solenoids on/off

Forcing a solenoid on or off will override master control if wireless link overrides are enabled.

- The solenoid control state is forced on or forced off when it is highlighted in orange (Item J).
  - Warning screen will appear indicating this action could disrupt the process. Select cancel or continue.
  - Select continue and when a solenoid is on, a yellow light will illuminate next to the solenoid (Item K).
  - Select continue and when a solenoid is off, no light will illuminate next to the solenoid (Item L).

Image 4a - DeviceNet detail

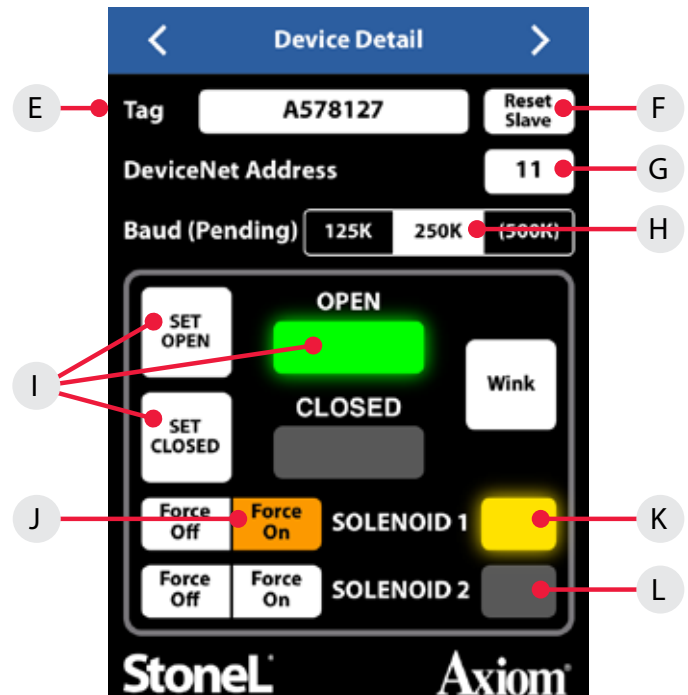


Image 4b - ASi detail



### Setting the valve position

Forcing the solenoid on and off is one way of actuating the valve when setting the open and closed positions.

- To set a valve to the closed position:
  - Actuate the valve to the CLOSED position. This can be done by forcing the solenoid(s) on or off.
  - Select set closed. A warning screen will appear indicating this action could disrupt the process. Select cancel or continue.
  - Select continue and the red closed light will illuminate (Item I).
  - The valve now remembers the current position as the closed position.
- To set a valve to the open position:
  - Actuate the valve to the OPEN position. This can be done by forcing the solenoid(s) on or off.
  - Select set open. A warning screen will appear indicating this action could disrupt the process. Select cancel or continue.
  - Select continue and the green open light will illuminate (Item I).
  - The valve now remembers the current position as the open position.

## 5.4 Device detail screen continued

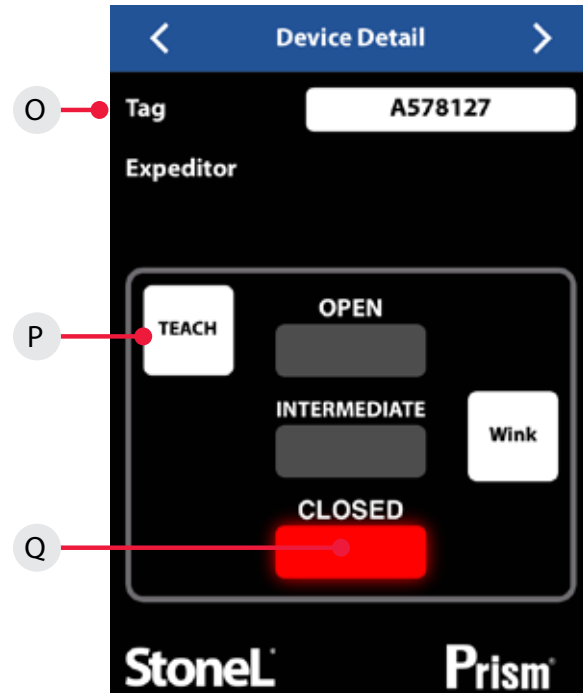
### Changing the device tag on an expeditor unit

- To change the tag, edit the existing tag in the associated text field (Item O). The tag can be up to sixteen characters long.

### Calibrating the valve assembly

- Actuate the valve to the CLOSED position.
- Select teach (Item P). A warning screen will appear indicating this action could disrupt the process. Select cancel or continue.
- Select continue. The valve will cycle open and closed one or more times while determining the valve operating characteristics.
- Calibration will finish with the valve in the closed position and the closed light illuminated red (Item Q).
- You can verify intermediate control functionality using the diagnostics screen (Image 6c).

Image 4c - Expeditor detail



## 5.5 More information screen

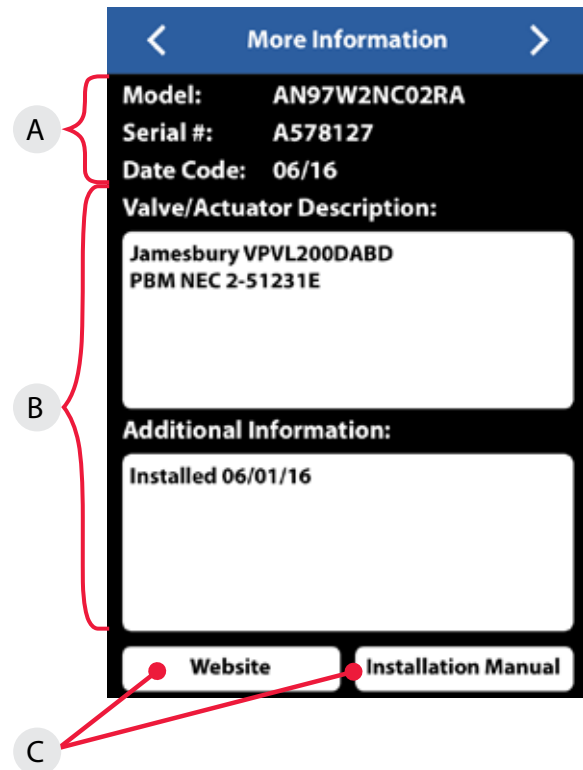
To see additional information about a specific valve, swipe right or use the arrows at the top of the device detail screen.

- At the top of the more Information screen (Image 5), the unit model number, serial number, and date code are displayed (Item A). These are preset from the factory and cannot be changed.
- There are two customizable text boxes titled "Valve/Actuator Description" and "Additional Information" where up to 160 characters can be added for user notes, such as maintenance or service records (Item B).

### Website and instruction manual

The direct links to Stonel's website and the unit installation, Maintenance and Operating Instructions located on the bottom buttons of the More Information screen require an internet connection to access (Item C).

Image 5





### 5.6 Diagnostics screen

To see additional diagnostics about a specific valve, advance a page to the right using the arrows at the top of the more information screen.

- The valve position information includes real time valve position, stroke time baseline, and stroke time of last cycle (Item D).
- The valve cycle count is displayed and indicates how many cycles the valve has made since last reset (Item E). A cycle is considered to be a complete actuation of the valve. Selecting the reset button (Item G) will erase the cycle count and start counting again from 0.
- The current temperature of the valve monitor is displayed; along with the temperature range of the valve since last reset (Item F). Selecting the reset button (Item H) will erase the historical temperature data and start a new period of temperature data collection.
- If an external 4-20mA loop powered device is connected to the auxiliary analog input of the module, the feedback signal can be monitored here. (DeviceNet only - Item I)
- If external switches are connected to the Aux 1 or Aux 2 inputs of the module, these switches can be monitored here. (AS-i only - Item K)
- To verify intermediate control function (Expeditor only) select expeditor override input (Item N). Change the existing percentage in the associated text field to desired value. Select done and verify valve moves to indicated percentage displayed by valve position (item L) and override 4-20 mA input (Item M).
- The Error Status register (Item J) can display numerous faults that are detected by the module. This data is only available via the Wireless Link app and is not accessible from the bus network. The following is a list of errors/faults that can be detected and display on the iOS device:

| Error status register    |                       |                       |
|--------------------------|-----------------------|-----------------------|
| DeviceNet only           | ASi only              | Expeditor             |
| Output shorted           | Output shorted        | Output shorted        |
| Internal sensor fault    | Internal sensor fault | Internal sensor fault |
| No magnet detected       | No magnet detected    | No magnet detected    |
| Bus protocol error       | Bus protocol error    | Input signal error    |
| Major DeviceNet fault    | No data exchange      |                       |
| Minor DeviceNet fault    |                       |                       |
| DeviceNet timed-out      |                       |                       |
| Pending DeviceNet change |                       |                       |
| Duplicate address        |                       |                       |
| Bus-off fault            |                       |                       |

Image 6a - DeviceNet detail

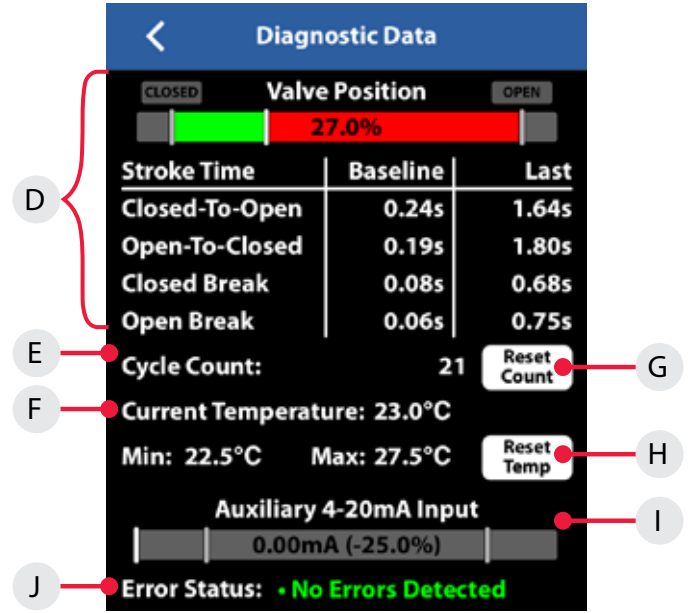


Image 6b - ASi detail

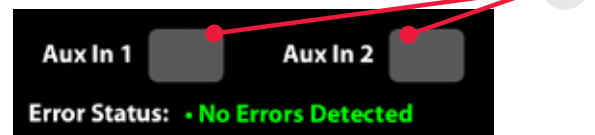
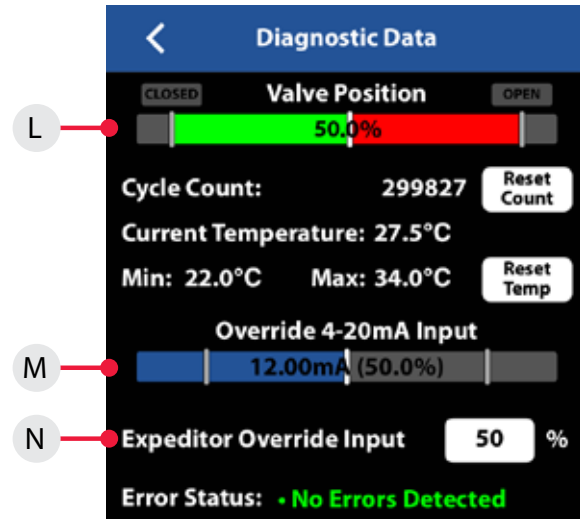


Image 6c - Expeditor detail



## 5.7 Federal Communication Commission (FCC) statement

This device complies with Part 15 of the FCC Rules. Operation is subject to the following two conditions:

1. This device may not cause harmful interference.
2. This device must accept any interference received, including interference that may cause undesired operation.

### Note

This equipment has been tested and found to comply with the limits for a Class B digital device, pursuant to Part 15 of the FCC Rules. These limits are designed to provide reasonable protection against harmful interference in a residential installation. This equipment generates, uses, and can radiate radio frequency energy and, if not installed and used in accordance with the instructions, may cause harmful interference to radio communications. However, there is no guarantee that interference will not occur in a particular installation. If this equipment does cause harmful interference to radio or television reception, which can be determined by turning the equipment off and on, the user is encouraged to correct the interference by one or more of the following measures:

- Re-orient or relocate the receiving antenna
- Increase the separation between the equipment and the receiver
- Connect the equipment to an outlet on a circuit that is different from that to which the receiver is connected.
- Consult the dealer or an experienced radio/TV technician for help.

Contains FCC ID: PI4BL600



**Caution:** Any changes or modifications not expressly approved by the party responsible for compliance could void the user's authority to operate the equipment.

### FCC Radiation Exposure Statement

This equipment is in compliance with SAR for general population/uncontrolled exposure limits in ANSI/IEEE C95.1-1999 and had been tested in accordance with the measurement methods and procedures specified in OET Bulletin 65 Supplement C.

This transmitter must not be co-located or operating in conjunction with any other antenna or transmitter

## 6 Model/Type code

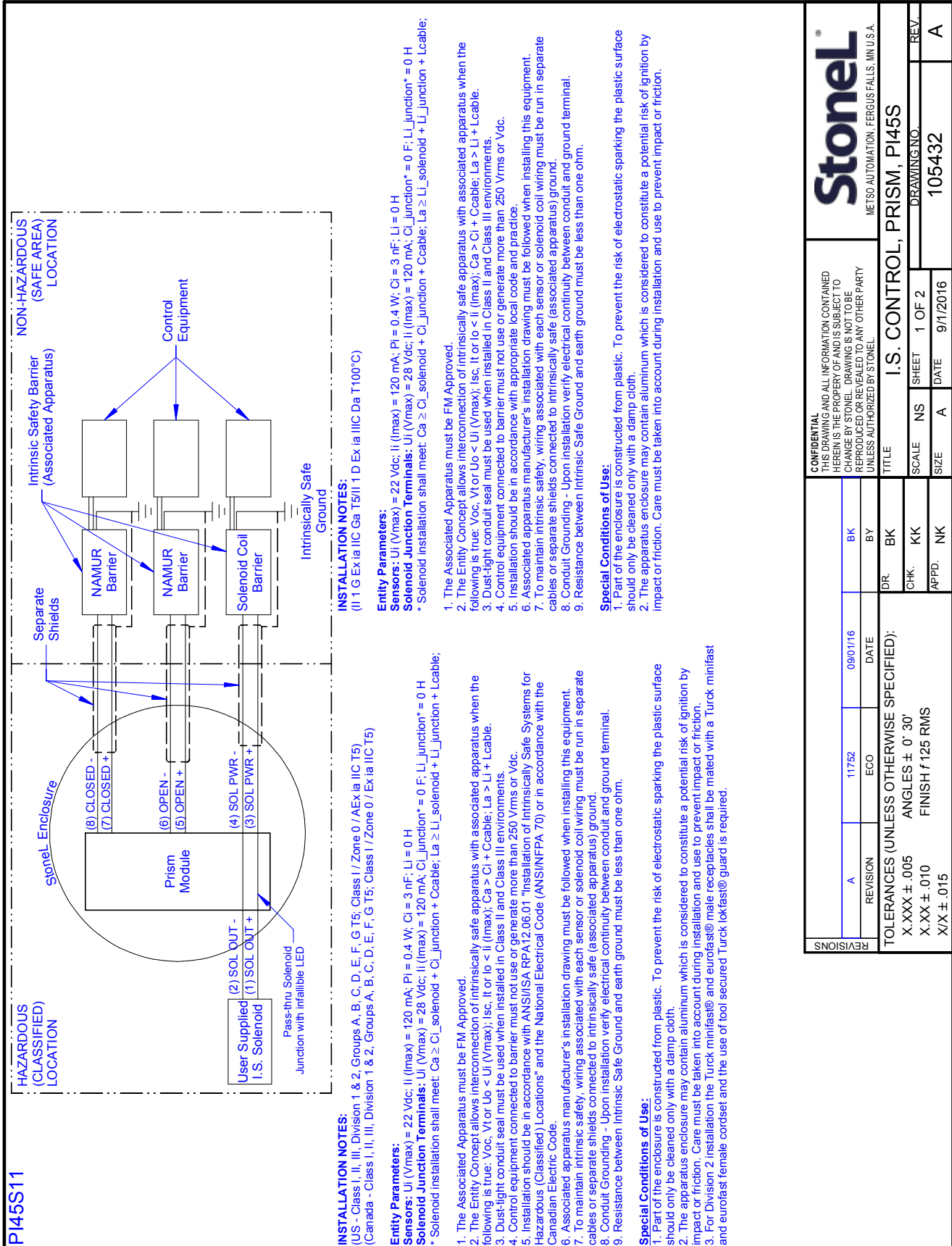
| Model selector                                  |   |                               |  |          |
|---|---|-------------------------------|--|----------|
| <b>SERIES</b>                                   |   |                               |  |          |
| PI Nonincendive or intrinsically safe           |   |                               |  |          |
| <b>FUNCTIONS</b>                                |   |                               |  |          |
| <b>Sensors modules</b>                          |   |                               |  |          |
| 33S   | (2) SST NO switching sensors  |                               |  |          |
| 45S   | (2) NAMUR sensor (EN 60947-5-6; I.S.)   |                               |  |          |
| <b>Valve communication Terminals (VCTs)</b>     |   |                               |  |          |
| 92S   | DeviceNet™  |                               |  |          |
| 92W   | DeviceNet™ with Wireless Link   |                               |  |          |
| 96S   | AS-Interface  |                               |  |          |
| 96W   | AS-Interface with Wireless Link   |                               |  |          |
| 97S   | AS-Interface with extended addressing   |                               |  |          |
| 97W   | AS-Interface with extended addressing and Wireless Link   |                               |  |          |
| <b>Expeditor, standard stroke</b>               |   |                               |  |          |
| 80S   | (1) 4-20mA AO for position control  |                               |  |          |
| 80W   | (1) 4-20mA AO for position control with Wireless Link   |                               |  |          |
| <b>Expeditor, long stroke</b>                   |   |                               |  |          |
| 81S   | (1) 4-20mA AO for position control with (1) 4-20mA AI and (2) 24V DI for position feedback                    |                               |  |          |
| 81W   | (1) 4-20mA AO for position control with (1) 4-20mA AI and (2) 24V DI for position feedback with Wireless Link |                               |  |          |
| <b>PNEUMATIC VALVE / TEMPERATURE</b>            |   |                               |  |          |
| <b>-20° C to 60° C / 0.1 Cv</b>                 |   |                               |  |          |
| 11S   | No pneumatic valve  |                               |  |          |
| 1NS   | Three-way voltage / power depends on function   |                               |  |          |
| <b>-10° C to 50° C / 0.2 Cv</b>                 |   |                               |  |          |
| 1KS   | Three-way 24 VDC  |                               |  |          |
| 1MS   | Three-way 120 VAC   |                               |  |          |
| 2KS   | Dual three-way 24 VDC   |                               |  |          |
| <b>ENCLOSURE</b>                                |   |                               |  |          |
| A   | North American (NEC/CEC)  |                               |  |          |
| V   | International (IEC)   |                               |  |          |
| L   | Other   |                               |  |          |
| <b>CONDUIT/CONNECTORS</b>                       |   |                               |  |          |
| <b>Standard</b>                                 | <b>Mini-connectors</b>  | <b>Micro-connectors (M12)</b> |  |          |
| 01 (1) ½" NPT                                   | 10 (1) 4-pin  | 13 (1) 4-pin                  |  |          |
| 02 (2) ½" NPT                                   | 11 (1) 5-pin  | 14 (2) 4-pin                  |  |          |
| 04 (1) M20                                      | 19 (1) 6-pin  | 15 (1) 5-pin                  |  |          |
| 05 (2) M20                                      |   | 17 (1) 6-pin                  |  |          |
| 08 (1) cable glands                             |   |                               |  |          |
| 09 (2) cable glands                             |   |                               |  |          |
| <b>VISUAL INDICATOR</b>                         |   |                               |  |          |
| R   | Green open  | 0                             | No indication  |          |
| <b>VALVE SIZE</b>                               |   |                               |  |          |
| S   | Standard stroke - ¼" to 2" (3.2 mm to 28.5 mm; ¼" to 1 ½" stroke)   |                               |  |          |
| L   | Long stroke - ¼" to 6" (3.2 mm to 66.8 mm; ¼" to 2 ¾" stroke)   |                               |  |          |
| <b>BRANDING</b>                                 |   |                               |  |          |
| A   | StoneL  |                               |  |          |
| M   | Metso   |                               |  |          |
| Model number example                            |   |                               |  |          |
| PI  | 33S   | 1KS                           | A 01 R S A   | OPTIONAL |
| <b>MODEL NUMBER</b>                             |   |                               | <b>PARTNERSHIP ID</b>                                  |          |
| Mounting hardware required and sold separately. |   |                               | Some models may include 5-digit identification suffix. |          |

## 7 Regulatory, specific conditions of use, and product marking

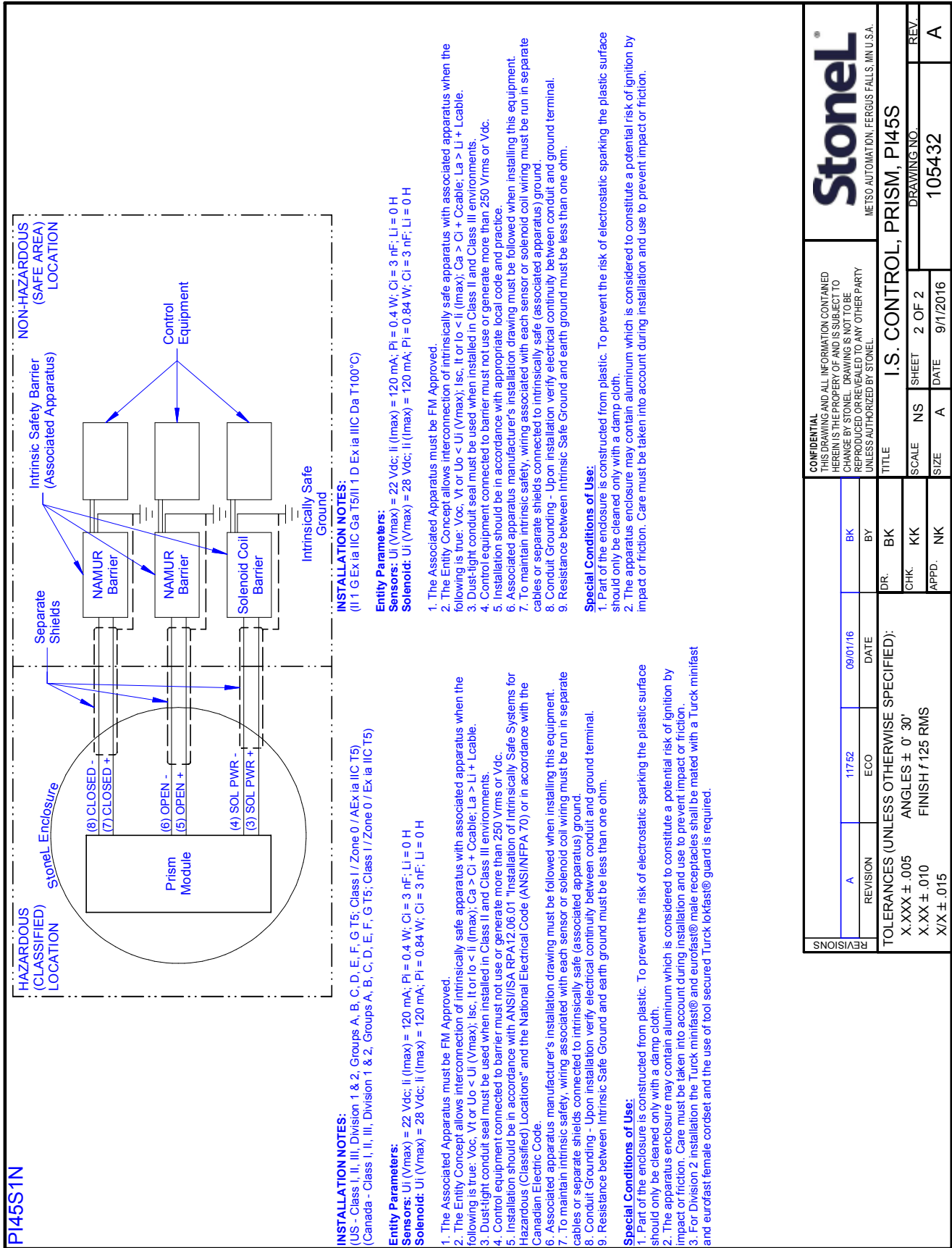
**7 Regulatory, specific conditions of use, and product marking continued**

# 8 Appendix

## 8.1 Controlled installation drawings



8.1 Controlled installation drawings continued



|   |                       |  |  |
|---|-----------------------|--|--|
| <b>CONFIDENTIAL</b><br>THIS DRAWING AND ALL INFORMATION CONTAINED HEREIN IS THE PROPERTY OF AND IS SUBJECT TO CHANGE BY STONEL. DRAWING IS NOT TO BE REPRODUCED OR REVEALED TO ANY OTHER PARTY UNLESS AUTHORIZED BY STONEL. |                       | <b>Stonel</b><br>NETSO AUTOMATION, FERGUS FALLS, MN U.S.A. |  |
| TITLE: <b>I.S. CONTROL, PRISM, PI45S</b>  |                       | DRAWING NO: <b>105432</b>                                  |  |
| SCALE: <b>NS</b>  | SHEET: <b>2 OF 2</b>  | REV.:  |  |
| SIZE: <b>A</b>  | DATE: <b>9/1/2016</b> | <b>A</b>   |  |
| DR: <b>BK</b>   | CHK: <b>KK</b>        | APPD: <b>NK</b>  |  |
| TOLERANCES (UNLESS OTHERWISE SPECIFIED):<br>X.XXX ± .005 ANGLES ± 0° 30'<br>X.XX ± .010 FINISH f 125 RMS<br>X/X ± .015  |                       |  |  |

**StoneL Production Center**

**North America**, 26271 US Hwy 59, Fergus Falls, MN 56537, USA. Tel. +1 218 739 5774. Fax +1 218 739 5776

[www.StoneL.com](http://www.StoneL.com)

**Metso Flow Control Inc.**

**South Korea**, 235 Cheomdansaneop 1-ro, Daesowon-myeon, Chungju-si, Chungbuk-do, 380-871, Korea Tel. +82 43 852 7708, Fax +82 43 841 9890

**Europe**, Vanha Porvoontie 229, P.O. Box 304, FI-01301 Vantaa, Finland. Tel. +358 20 483 150. Fax +358 20 483 151

**North America**, 44 Bowditch Drive, P.O. Box 8044, Shrewsbury, MA 01545, USA. Tel. +1 508 852 0200. Fax +1 508 852 8172

**South America**, Av. Independência, 2500-Iporanga, 18087-101, Sorocaba-São Paulo, Brazil. Tel. +55 15 2102 9700. Fax +55 15 2102 9748

**Asia Pacific**, Haw Par Centre #06-01, 180 Clemenceau Avenue, Singapore 239922. Tel. +65 6511 1011. Fax +65 6250 0830

**China**, 11/F, China Youth Plaza, No.19 North Rd of East 3rd Ring Rd, Chaoyang District, Beijing 100020, China. Tel. +86 10 6566 6600. Fax +86 10 6566 2583.

**Middle East**, Roundabout 8, Unit AB-07, P.O. Box 17175, Jebel Ali Freezone, Dubai, United Arab Emirates. Tel. +971 4 883 6974. Fax +971 4 883 6836

[www.metso.com/valves](http://www.metso.com/valves)