

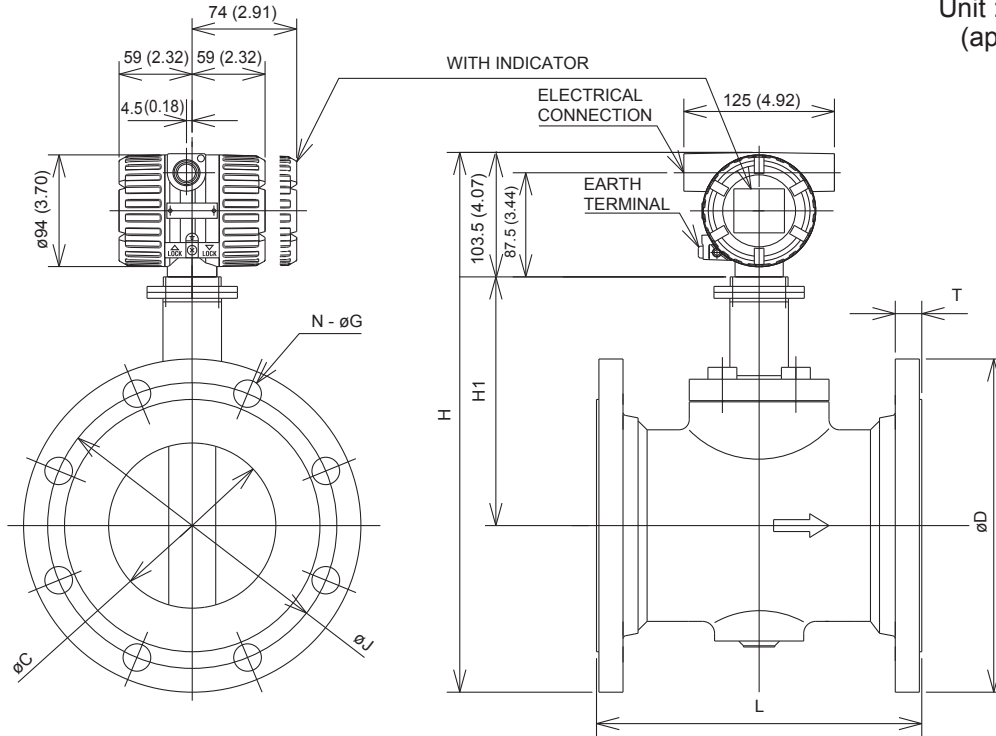
Drawings

digitalYEWFLO Series Vortex Flowmeter Integral / Remote, Flange [DY150, DY200, DY250, DY300, DY400]

digitalYEWFLO

SD 01F06A00-03EN

Unit : mm
(approx. inch)



TYPE	INTEGRAL/REMOTE																						
	DY150										DY200												
MODEL CODE	DY150										DY200												
PROCESS CONNECTION	BJ1	BJ2	BJ4	BA1 BS1	BA2 BS2	BA4 BS4	BA5 BS5	BD1 to BD2 FD1 to FD2	BD3 to BD4 FD3 to FD4	CA4	CA5	BJ1	BJ2	BA1 BS1	BA2 BS2	BA4 BS4	BA5 BS5	BD1 FD1	BD2 FD2	BD3 FD3	BD4 FD4	CA4	CA5
L	270 (10.63)										310 (12.20)												
C	138.8 (5.46)										185.6 (7.31)												
D	280 (11.02)	305 (12.01)	355 (13.98)	279.4 (11.00)	317.5 (12.50)	356 (14.02)	391 (15.00)	285 (11.22)	300 (11.81)	356 (14.02)	381 (15.00)	330 (12.99)	350 (13.78)	342.9 (13.50)	381 (15.00)	419.1 (16.50)	469.9 (18.50)	340 (13.39)	360 (14.17)	375 (14.76)	419.1 (16.50)	469.9 (18.50)	
H	453 (17.83)	465 (18.31)	490 (19.29)	452 (17.80)	471 (18.54)	491 (19.33)	503 (19.80)	455 (17.91)	463 (18.23)	491 (19.33)	503 (19.80)	510 (20.08)	520 (20.47)	516 (20.31)	535 (21.06)	554 (21.81)	579 (22.80)	515 (20.28)	515 (20.67)	525 (20.94)	532 (21.81)	554 (22.80)	
H1	209 (8.23)										241 (9.49)												
T	216 (8.50)										248 (9.76)												
J	240 (9.45)	260 (10.24)	295 (11.61)	241.3 (9.50)	269.7 (10.62)	292 (11.50)	317.5 (12.50)	240 (9.45)	250 (9.84)	292 (11.50)	317.5 (12.50)	290 (11.42)	305 (12.01)	298.5 (11.75)	302 (13.00)	349.3 (13.75)	393.7 (15.50)	295 (11.61)	310 (12.20)	320 (12.60)	349.3 (13.75)	393.7 (15.50)	
N	8 (0.31)	12 (0.47)	12 (0.47)	8 (0.31)	12 (0.47)	12 (0.47)	12 (0.47)	8 (0.31)	12 (0.47)	12 (0.47)	12 (0.47)	8 (0.31)	12 (0.47)	12 (0.47)	8 (0.31)	12 (0.47)	12 (0.47)	8 (0.31)	12 (0.47)	12 (0.47)	12 (0.47)	12 (0.47)	
G	23 (0.91)	25 (0.98)	33 (1.30)	22.4 (0.88)	22.4 (0.88)	28.4 (1.12)	31.8 (1.25)	22 (0.87)	26 (1.02)	28.4 (1.12)	31.8 (1.25)	23 (0.91)	25 (0.98)	22.4 (0.88)	22.4 (0.88)	31.8 (1.25)	38.1 (1.50)	22 (0.87)	22 (0.87)	26 (1.02)	30 (1.18)	31.8 (1.25)	
WEIGHT kg (lb)	33.4 (73.65)	43.4 (95.7)	76.4 (168.46)	36.4 (80.28)	54.4 (119.95)	84.4 (186.10)	106 (233.73)	33.4 (73.65)	42.9 (94.59)	90 (198.45)	107 (235.94)	100.11 (220.54)	115.54 (254.52)	122.16 (269.48)	136 (299.88)	182 (401.31)	182 (401.31)	102.09 (225.09)	102.09 (225.09)	118.19 (261.19)	123.26 (271.92)	139 (306.52)	

TYPE	INTEGRAL/REMOTE											
	DY250				DY300				DY400			
MODEL CODE	DY250				DY300				DY400			
PROCESS CONNECTION	BJ1	BJ2	BA1 BS1	BA2 BS2	BJ1	BJ2	BA1 BS1	BA2 BS2	BJ1	BJ2	BA1 BS1	BA2 BS2
L	370 (14.57)				400 (15.75)				520 (20.47)			
C	230.8 (9.09)				276.2 (10.87)				354.2 (13.94)			
D	400 (15.75)	430 (16.93)	406.4 (16.00)	444.5 (17.50)	445 (17.52)	480 (18.90)	482.6 (19.00)	520.7 (20.50)	560 (22.05)	605 (23.82)	596.9 (23.5)	647.7 (25.5)
H	581 (22.87)	596 (23.46)	584 (22.99)	603 (23.74)	633 (24.92)	651 (25.63)	652 (25.67)	671 (26.42)	757.5 (29.82)	780 (30.71)	776 (30.55)	801 (31.54)
H1	277 (10.91)				307 (12.09)				374 (14.72)			
T	24 (0.94)	34 (1.34)	30.2 (1.19)	47.8 (1.88)	24 (0.94)	36 (1.42)	31.8 (1.25)	50.8 (2.00)	28 (1.10)	46 (1.81)	36.6 (1.44)	57.2 (2.25)
J	355 (13.98)	380 (14.96)	362 (14.25)	387.4 (15.25)	400 (15.75)	430 (16.93)	431.8 (17.00)	450.9 (17.75)	510 (20.08)	540 (21.26)	539.8 (21.25)	571.5 (22.5)
N	12 (0.47)	12 (0.47)	12 (0.47)	16 (0.63)	16 (0.63)	16 (0.63)	16 (0.63)	16 (0.63)	16 (0.63)	16 (0.63)	16 (0.63)	20 (0.79)
G	25 (0.98)	27 (1.06)	25.4 (1.00)	28.5 (1.12)	25 (0.98)	27 (1.06)	25.4 (1.00)	27 (1.06)	31.8 (1.25)	33 (1.30)	28.5 (1.12)	35.1 (1.38)
WEIGHT kg (lb)	78 (171.99)	100 (220.5)	90 (198.45)	125 (276.63)	100 (220.5)	128 (282.24)	140 (308.7)	178 (392.49)	265 (584.2)	308 (679)	300 (661.4)	370 (815.7)

(Note 1) Integral weight is the same as Remote.
 (Note 2) In case of with Indicator, add 0.2kg.
 (Note 3) The flow direction is opposite (right to left when facing onto indicator) in case of code/CRC.

Terminal Wiring

Integral Type (BRAIN or HART protocol)	SUPPLY +	Power Supply and 4 to 20mA DC Output Terminals
	-	
Integral Type (Foundation Fieldbus)	PULSE +	Pulse Output Terminals
	-	
Remote Type Detector	SUPPLY +	Fieldbus Communication Terminals
	-	
Remote Type Detector	T	Built-in Temperature Sensor Terminal
	A	Signal Output Terminals
	B	
	C	Common Terminal
⊕		Grounding Terminal

* Use DYC signal cable for remote type.
 * T is used for /MV only.

