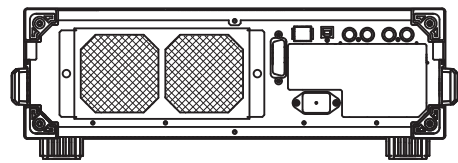
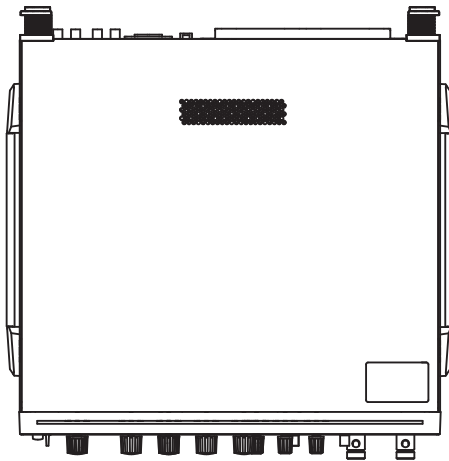


Drawings

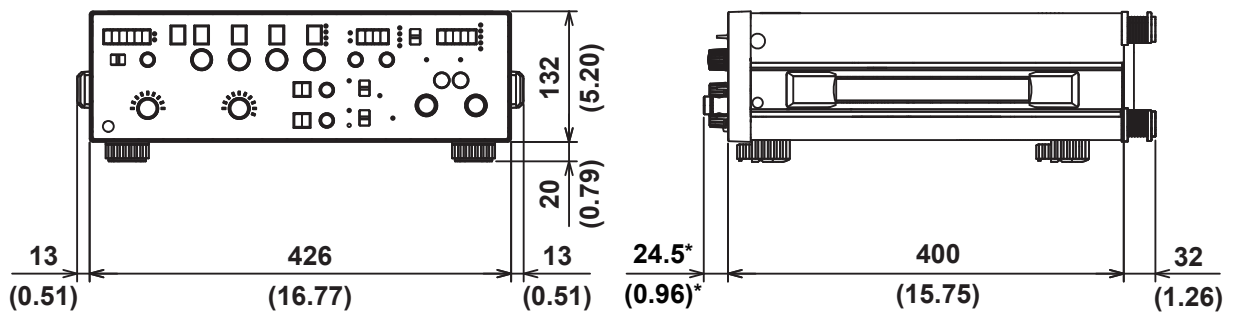
2558A

AC Voltage Current Standard

Unit: mm
(approx. inch)



Rear view



* Reference value

Weight : approx. 20 kg

If not specified, the tolerance is $\pm 3\%$. However, in cases of less than 10 mm, the tolerance is ± 0.3 mm.