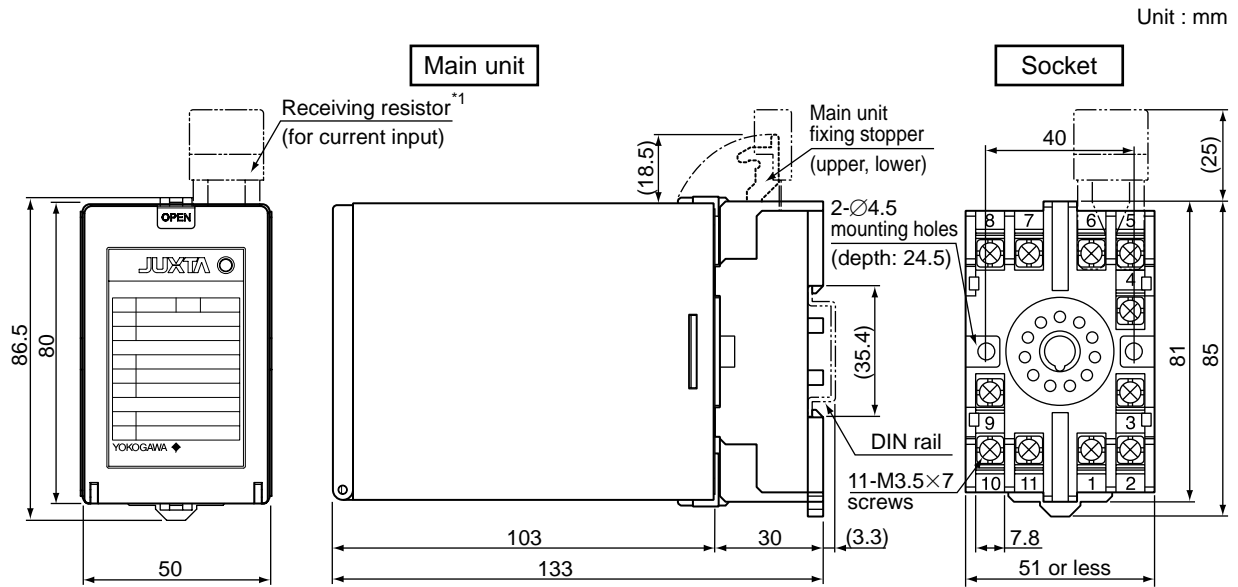
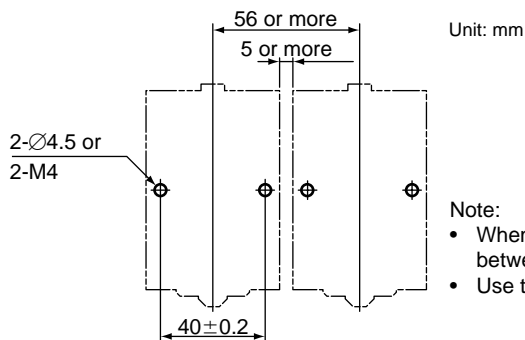


External Dimension



*1: The receiving resistor is supplied for the input signal suffix code "A" or "B."

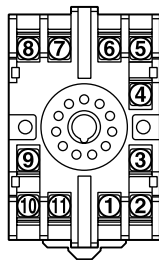
Mounting Dimensions



Note:

- When mounting the units close together, leave a space of at least 5 mm between them.
- Use the supplied spacer to keep a space of 5 mm for DIN rail mounting.

Terminal Assignments



1	ANALOG OUTPUT	(+)
2	ANALOG OUTPUT	(-)
3	CONTACT INPUT	(+)
4	CONTACT INPUT	(-)
5	ANALOG INPUT	(+)
6	ANALOG INPUT	(-)
7	SUPPLY	(L+)
8	SUPPLY	(N-)
9	GND	(GND)
10	CONTACT OUTPUT	(+)
11	CONTACT OUTPUT	(-)