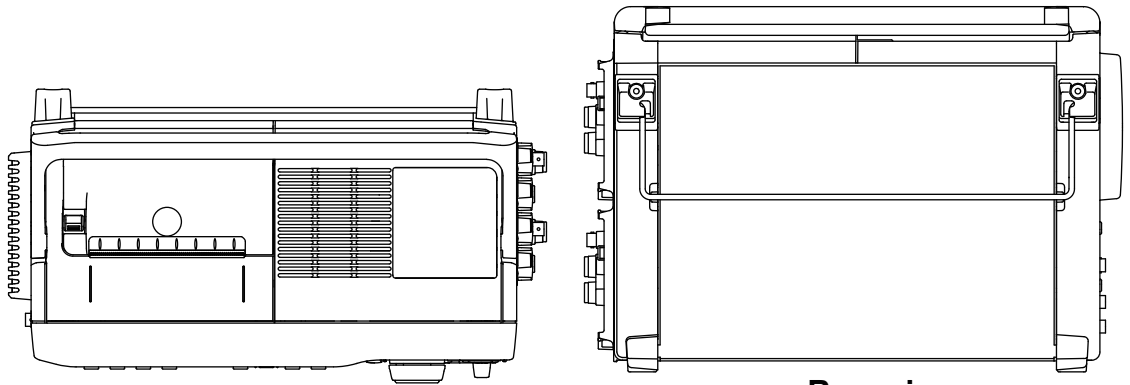


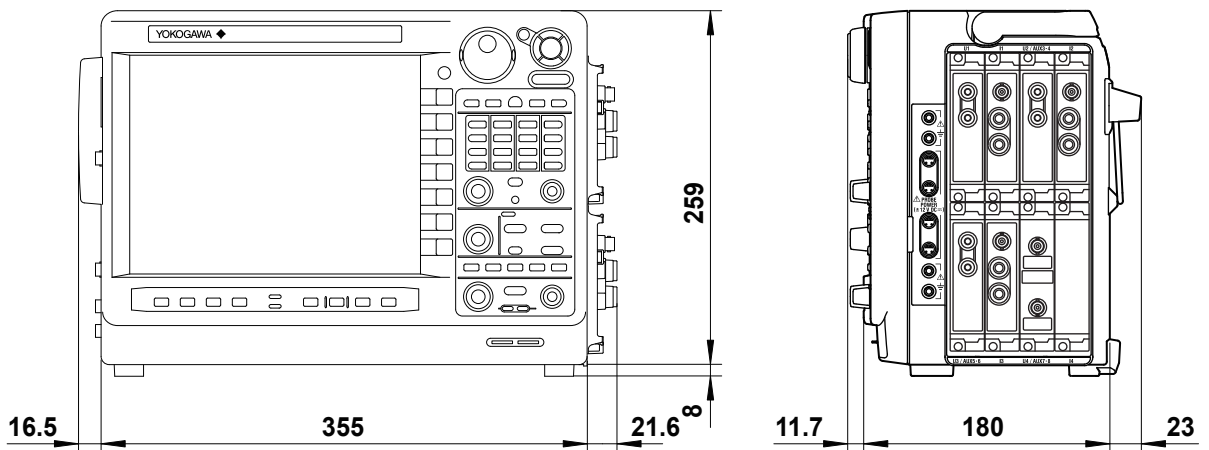
Drawings

PX8000 Precision Power Scope

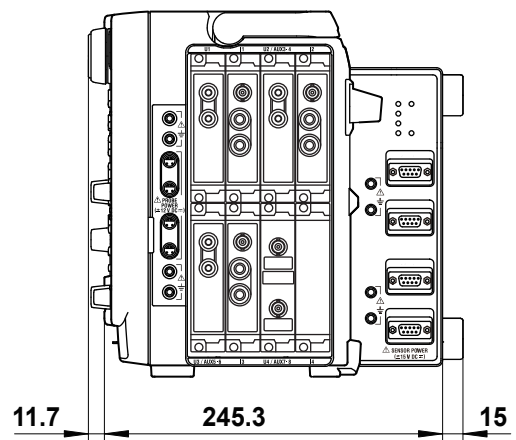
Unit: mm
(approx. inch)



Rear view



Models with the Sensor Power Supply (/IPD) Option



Weight : approx. 6.5 kg

Weight : approx. 7.6 kg (Models with the Sensor Power Supply Option)

If not specified, the tolerance is $\pm 3\%$. However, in cases of less than 10 mm, the tolerance is ± 0.3 mm.