

Integral Flowmeter

Remote Flowtube

Integral Flowmeter

Remote Flowtube

Unit : mm  
(approx. inch)

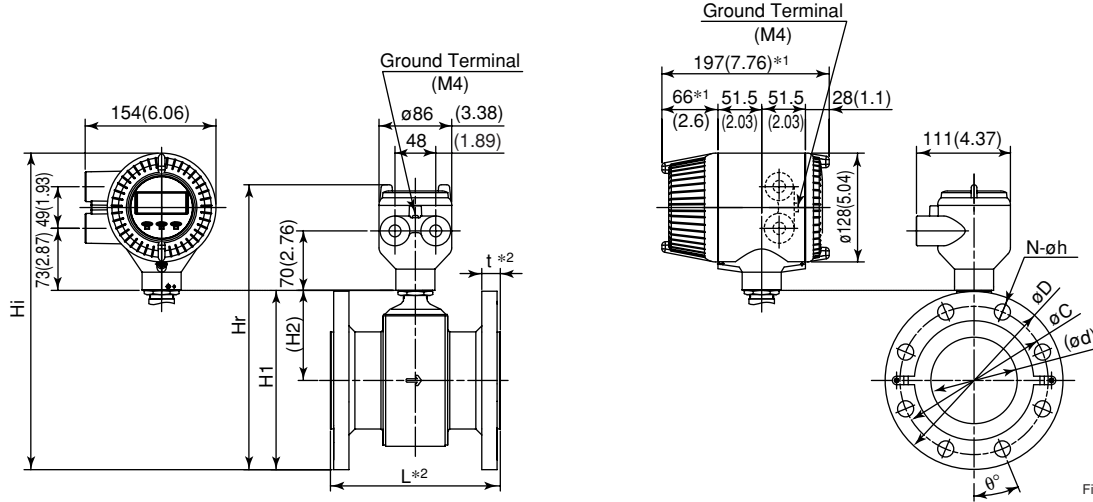


Fig12E.EPS

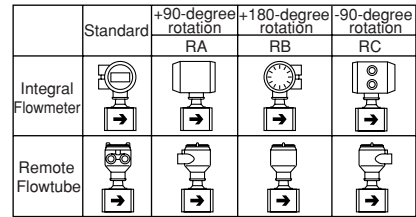
\*No infra-red switches are furnished for Fieldbus communication type.

#### Model code:

|        |   |   |   |   |     |
|--------|---|---|---|---|-----|
| AXF065 | D | A | B | D | 2   |
| AXF080 | E | 1 | C | D | 2   |
| AXF100 | W | F | C | S | 1 1 |
| AXF125 | C | N | C | S | 2   |
|        | P | G | P | D | 2   |

\*5: D, E, F, G; Integral Flowmeter, N, P: Remote Flowtube

\* When option code RA, RB, or RC is selected, the direction of electrical connection change as below.



F19-1E.EPS

\*1: When indicator code N is selected, subtract 12 mm (0.47 inch) from the value in the figure.

In case of explosion proof type with indicator, add 5 mm (0.2 inch) to it.

\*2: Depending on the selection of grounding ring code and optional code, add the following value to "L" (face-to-face length) and "t" (thickness of flange).

| Grounding Ring Code | L                            |          | t        |           | L         |          | t        |  |
|---------------------|------------------------------|----------|----------|-----------|-----------|----------|----------|--|
|                     | S, L, H, V                   | P, T     | N        |           |           |          |          |  |
| Option Code         | None                         | +0       | +0       | +26(1.02) | +13(0.51) | -2(0.08) | -1(0.04) |  |
|                     | GA, GC, GD (Special Gaskets) | +8(0.31) | +4(0.16) | +30(1.18) | +15(0.59) | -        | -        |  |

\*3: When submersible type or option code DHC is selected, waterproof glands and a 30 m long cable are attached.

Add 9.5 kg (20.9 lb) to the weight in the table.

| Model              | Process Connection                    | BD2/CD2 (DIN PN16) |                |                |                | PD2 (DIN PN16) |                | CS1 (AS Table D) |                | CS2 (AS Table E) |                |
|--------------------|---------------------------------------|--------------------|----------------|----------------|----------------|----------------|----------------|------------------|----------------|------------------|----------------|
|                    |                                       | 065                | 080            | 100            | 125            | 080            | 100            | 080              | 100            | 080              | 100            |
|                    | Size code                             | 065                | 080            | 100            | 125            | 080            | 100            | 080              | 100            | 080              | 100            |
|                    | Size                                  | 65<br>(2.5)        | 80<br>(3)      | 100<br>(4)     | 125<br>(5)     | 80<br>(3)      | 100<br>(4)     | 80<br>(3)        | 100<br>(4)     | 80<br>(3)        | 100<br>(4)     |
|                    | Lining code                           | A, U, D, G         | A, U, D, G     | A, U, D, G     | A, U, D, G     | A              | A              | A                | A              | A                | A              |
| Remote Flowtube    | Face-to-face length L <sub>3</sub> *2 | 200<br>(7.87)      | 250<br>(9.84)  | 250<br>(9.84)  | 250<br>(9.84)  | 200<br>(7.87)  | 250<br>(9.84)  | 200<br>(7.87)    | 250<br>(9.84)  | 200<br>(7.87)    | 250<br>(9.84)  |
|                    | Outside dia. øD                       | 185<br>(7.28)      | 200<br>(7.87)  | 220<br>(8.66)  | 250<br>(9.84)  | 200<br>(7.87)  | 220<br>(8.66)  | 185<br>(7.28)    | 215<br>(8.46)  | 185<br>(7.28)    | 215<br>(8.46)  |
|                    | Thickness t*2                         | 24<br>(0.87)       | 34<br>(1.02)   | 34<br>(1.02)   | 26<br>(0.94)   | 24<br>(0.94)   | 24<br>(0.94)   | 14<br>(0.55)     | 15<br>(0.59)   | 17<br>(0.67)     | 17<br>(0.67)   |
|                    | Inner diameter of Grounding ring ød   | 66<br>(2.60)       | 77<br>(3.03)   | 102<br>(4.02)  | 128<br>(5.04)  | 77<br>(3.03)   | 102<br>(4.02)  | 77<br>(3.03)     | 102<br>(4.02)  | 77<br>(3.03)     | 102<br>(4.02)  |
| Integral Flowmeter | Pitch circle dia. øC                  | 145<br>(5.71)      | 160<br>(6.30)  | 180<br>(7.09)  | 210<br>(8.27)  | 160<br>(6.30)  | 180<br>(7.09)  | 146<br>(5.75)    | 178<br>(7.01)  | 146<br>(5.75)    | 178<br>(7.01)  |
|                    | Bolt hole interval θ°                 | 45                 | 22.5           | 22.5           | 22.5           | 22.5           | 22.5           | 45               | 45             | 45               | 22.5           |
|                    | Hole dia. øh                          | 18<br>(0.71)       | 18<br>(0.71)   | 18<br>(0.71)   | 18<br>(0.71)   | 18<br>(0.71)   | 18<br>(0.71)   | 18<br>(0.71)     | 18<br>(0.71)   | 18<br>(0.71)     | 18<br>(0.71)   |
|                    | Number of holes N                     | 4                  | 8              | 8              | 8              | 8              | 8              | 4                | 4              | 4                | 8              |
| Remote Flowtube    | Height H1                             | 181<br>(7.13)      | 195<br>(7.68)  | 216<br>(8.49)  | 245<br>(9.65)  | 195<br>(7.68)  | 216<br>(8.49)  | 188<br>(7.38)    | 213<br>(8.39)  | 188<br>(7.38)    | 213<br>(8.39)  |
|                    | Height H2                             | 89<br>(3.50)       | 95<br>(3.74)   | 106<br>(4.16)  | 120<br>(4.72)  | 95<br>(3.74)   | 106<br>(4.16)  | 95<br>(3.74)     | 106<br>(4.16)  | 95<br>(3.74)     | 106<br>(4.16)  |
|                    | Max. Height Hr                        | 305<br>(12.01)     | 319<br>(12.56) | 340<br>(13.37) | 369<br>(14.53) | 319<br>(12.56) | 340<br>(13.37) | 312<br>(12.26)   | 337<br>(13.28) | 312<br>(12.26)   | 337<br>(13.28) |
|                    | Weight kg (lb)*3                      | 9.8<br>(21.6)      | 11.9<br>(26.2) | 14.5<br>(32.0) | 19.3<br>(42.5) | 11.9<br>(26.2) | 14.5<br>(32.0) | 7.8<br>(17.3)    | 10.5<br>(23.1) | 8.1<br>(17.9)    | 11.2<br>(24.8) |
| Integral Flowmeter | Max. Height Hi                        | 115<br>(4.53)      | 136<br>(5.35)  | 162<br>(6.38)  | 210<br>(8.27)  | 115<br>(4.53)  | 136<br>(5.35)  | 122<br>(4.80)    | 152<br>(5.98)  | 122<br>(4.80)    | 152<br>(5.98)  |
|                    | Weight kg (lb)                        | 11.5<br>(25.4)     | 13.6<br>(29.9) | 16.2<br>(35.7) | 21.0<br>(46.2) | 11.5<br>(25.4) | 13.6<br>(29.9) | 9.5<br>(21.0)    | 12.2<br>(26.8) | 9.8<br>(21.6)    | 12.9<br>(28.5) |

TD16E.EPS

Lining code : A; Fluorocarbon PFA, U; Polyurethane Rubber  
D; Natural Soft Rubber, G; EPDM Rubber

Unless otherwise specified, difference in the dimensions are specified as : General tolerance = ± (Criteria of tolerance class IT18 in JIS B0401) / 2

## Integral Flowmeter

### BRAIN/HART Communication Type

#### Terminal configuration

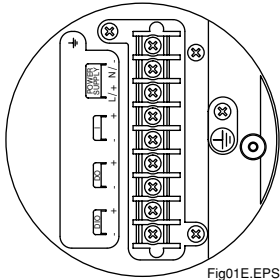


Fig01E.EPS

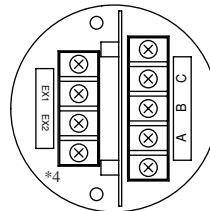
#### Terminal wiring

| Terminal Symbols | Description                                       |
|------------------|---|
|                  | Functional grounding                              |
| N/-<br>L/+       | Power supply                                      |
| I+<br>I-         | Current output 4 to 20mA DC                       |
| DO+<br>DO-       | Pulse output/Alarm output/<br>Status output       |
| DIO+<br>DIO-     | Alarm output/Status output<br>Status input        |
|                  | Protective grounding<br>(Outside of the terminal) |

Fig01-2E.EPS

## Remote Flowtube

#### Terminal configuration



\*4: In case of explosion proof type, (functional grounding terminal) is added.

Fig02E.EPS

#### Terminal wiring

| Terminal Symbols | Description                                       |
|------------------|---|
| A<br>B<br>C      | Flow signal output                                |
| EX1<br>EX2       | Excitation current input                          |
|                  | Protective grounding<br>(Outside of the terminal) |

### FOUNDATION Fieldbus/PROFIBUS PA Communication type

#### Terminal configuration

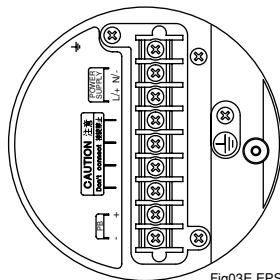


Fig03E.EPS

#### Terminal wiring

| Terminal Symbols | Description                                       |
|------------------|---|
|                  | Functional grounding                              |
| N/-<br>L/+       | Power supply                                      |
| FB+<br>FB-       | Fieldbus<br>communication signal                  |
|                  | Protective grounding<br>(Outside of the terminal) |

Fig01-3E.EPS