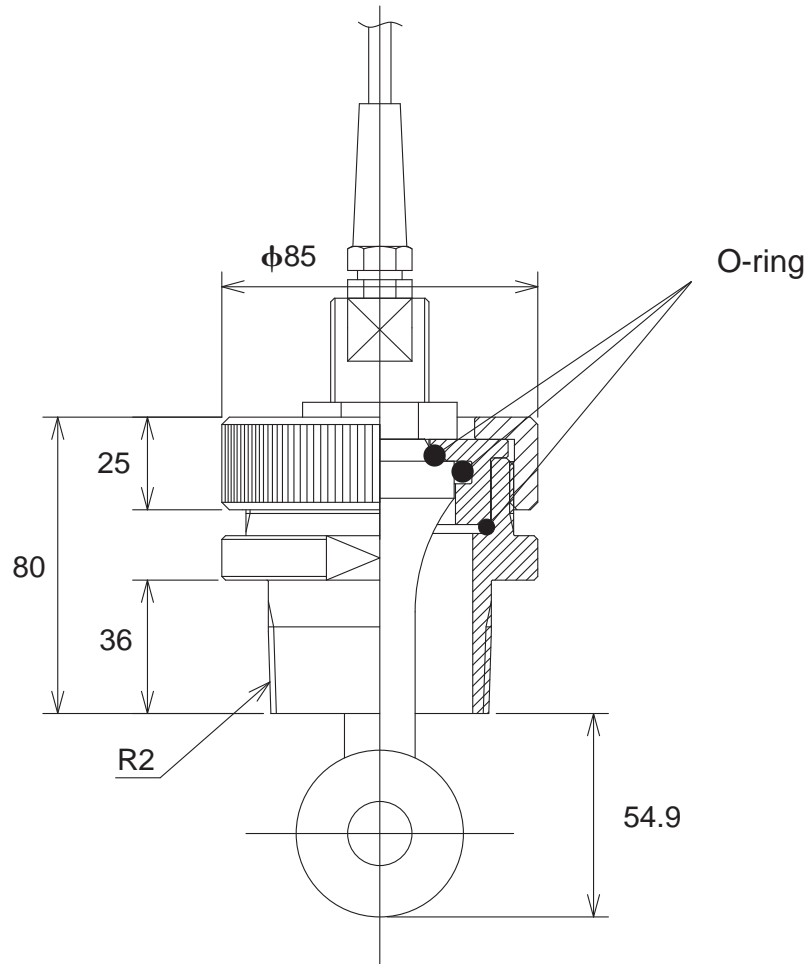


Unit : mm



	Model code	Weight (kg)
	ISC40FSJ-SCSJ	Approx. 1.4
	ISC40FSJ-PCSJ	Approx. 0.6
	ISC40FSJ-FCSJ	Approx. 0.7

Unless otherwise specified, differences in the dimensions are specified as : General tolerance=(Criteria of tolerance class IT18 in JIS B0401-1986)/2.