

Temposonics®

Magnetostrictive Linear Position Sensors

EE Analog Data Sheet

- Pressure-resistant sensor rod
- Compact sensor housing
- High operating temperature



MEASURING TECHNOLOGY

For position measurement, the absolute, linear Temposonics® position sensors make use of the properties offered by the specially designed magnetostrictive waveguide. Inside the sensor a torsional strain pulse is induced in the waveguide by momentary interaction of two magnetic fields. The interaction between these two magnetic fields produces a strain pulse, which is detected by the converter at the sensor electronics housing. One field is produced by a moving position magnet, which travels along the sensor rod with the waveguide inside. The other field is generated by a current pulse applied to the waveguide. The position of the moving magnet is determined precisely by measuring the time-of-flight between the application of the current pulse and the arrival of the strain pulse at the sensor electronics housing. The result is a reliable position measurement with high accuracy and repeatability.

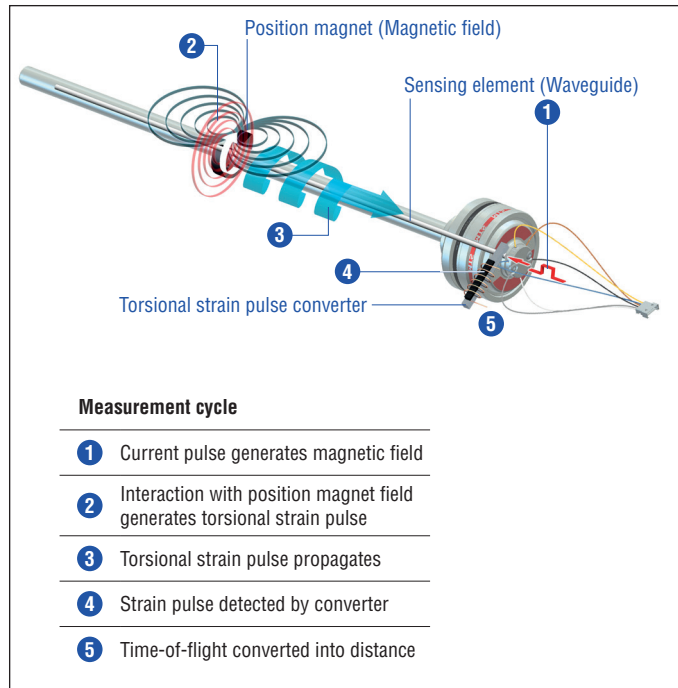


Fig. 1: Time-of-flight based magnetostrictive position sensing principle

EE SENSOR

Robust, non-contact and wear free, the Temposonics® linear position sensors provide best durability and accurate position measurement solutions in harsh industrial environments. The position measurement accuracy is tightly controlled by the quality of the waveguide which is manufactured by MTS Sensors.

The Temposonics® E-Series EE position sensor is designed for the installation into a hydraulic cylinder. Because of his compact design the EE sensor is the perfect solution for small cylinders with limited space for the integration in a measuring system. The increased operating temperature capability allows the sensor to be used in a wide range of industrial applications.



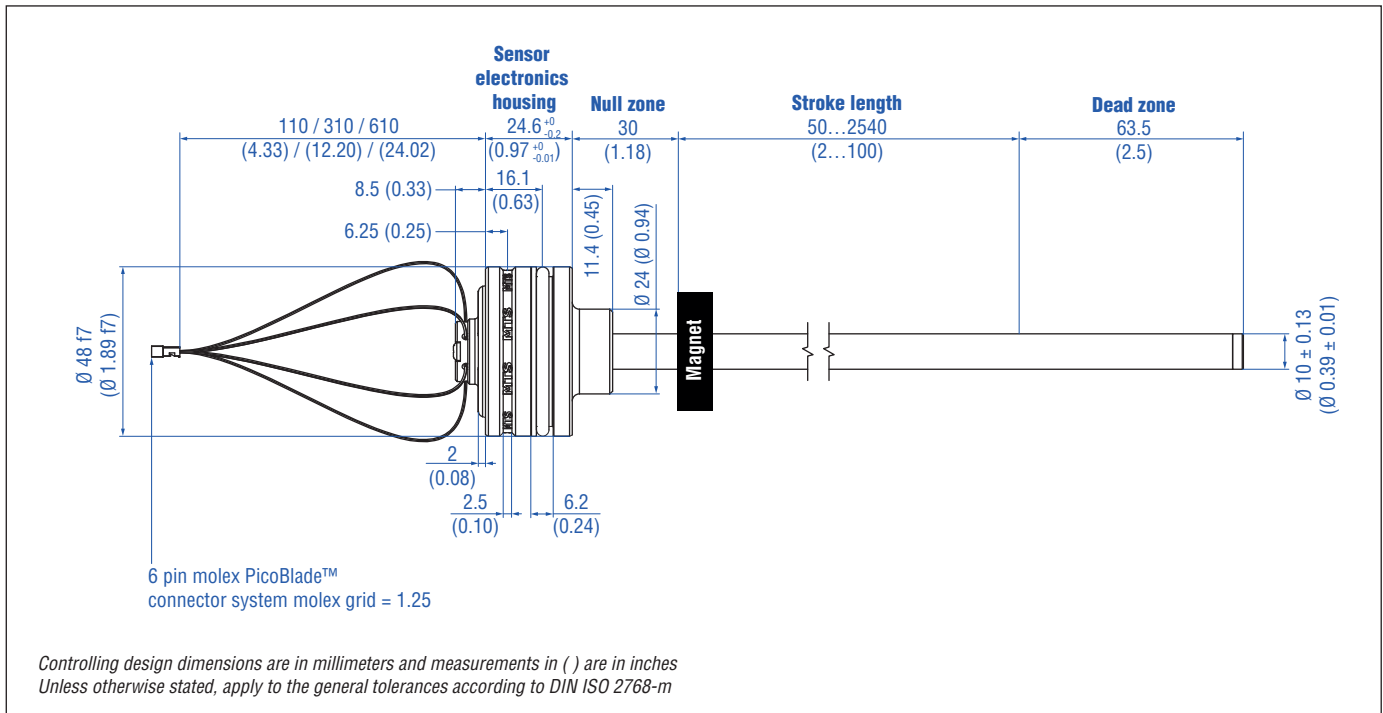
Fig. 2: Typical application: Wood working

TECHNICAL DATA

Output	
Current	4...20 mA or 20...4 mA (minimum / maximum load: 0 / 500 Ω)
Measured value	Position
Measurement parameters	
Resolution	Infinite
Cycle time	< 3 ms
Linearity ¹	< ±0.02 % F.S. (minimum ±60 μm)
Repeatability	< ±0.002 % F.S. (minimum ±20 μm)
Operating conditions	
Operating temperature	-40...+85 °C (-40...+185 °F)
Humidity	90 % rel. humidity, no condensation
Ingress protection	IP67 (with professional mounted housing and connectors), sensor with flat connector IP30
Shock test	100 g (single shock) / IEC standard 60068-2-27
Vibration test	15 g / 10...2000 Hz IEC standard 60068-2-6 (resonance frequencies excluded)
EMC test	Electromagnetic emission according to EN 55011, cl. B:2009 + A1:2010 Electromagnetic immunity according to EN 61326-1:2006 The sensor meets the requirements of the EC directives and is marked with CE .
Magnet movement velocity	Any
Design/Material	
Sensor electronics housing	Stainless steel 1.4305 (AISI 303)
Sensor rod	Stainless steel 1.4306 (AISI 304L)
Stroke length	50...2540 mm (2...100 in.)
Operating pressure	Up to 350 bar (5076 psi)
Mechanical mounting	
Mounting position	Any
Mounting instruction	Please consult the technical drawings and the operation manual (document number: 551415)
Electrical connection	
Connection type	6 pin molex PicoBlade™ connector system
Operating voltage	+24 VDC (-15 / +20 %)
Ripple	≤ 0.28 Vpp
Current consumption	50...140 mA
Dielectric strength	500 VDC (0 V ground to machine ground)
Polarity protection	Up to -30 VDC
Overvoltage protection	Up to 36 VDC

¹/ With position magnet # 201 542-2

TECHNICAL DRAWING



CONNECTOR WIRING

With mating connector cable 254 256 and 254 560

5 pin connector	M12	Function
	Pin 1	+24 VDC (-15 / +20 %)
	Pin 2	Output 1
	Pin 3	DC Ground (0 V)
	Pin 4	—
	Pin 5	DC Ground

With extension cable 254 642-x

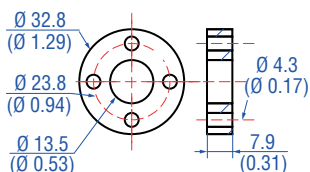
6 pin moxle connector	Moxle	Color	Function
	Pin 1	YE	—
	Pin 2	BL	—
	Pin 3	GY	Output 1
	Pin 4	WH	DC Ground (0 V)
	Pin 5	BK	DC Ground
	Pin 6	BN	+24 VDC (-15 / +20 %)

With mating connector cable 254 266

6 pin moxle connector	Moxle	Color	Function
	Pin 1	YE	—
	Pin 2	—	—
	Pin 3	GY	Output 1
	Pin 4	WH	DC Ground (0 V)
	Pin 5	BK	DC Ground
	Pin 6	BN	+24 VDC (-15 / +20 %)

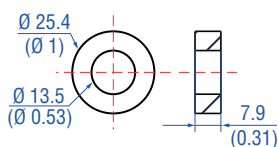
FREQUENTLY ORDERED ACCESSORIES – Additional options available in our [Accessories Guide](#)  [551444](#)

Position magnets



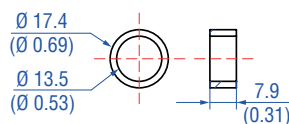
Standard ring magnet
Part no. 201 542-2

Material: PA ferrite GF20
Weight: Ca. 14 g
Operating temperature:
-40...+105 °C (-40...+221 °F)
Surface pressure: Max. 40 N/mm²
Fastening torque for M4 screws: 1 Nm



Ring magnet OD25.4
Part no. 400 533

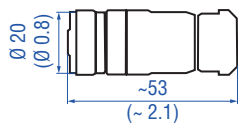
Material: PA ferrite
Weight: Ca. 10 g
Operating temperature:
-40...+105 °C (-40...+221 °F)
Surface pressure: Max. 40 N/mm²



Ring magnet OD17.4
Part no. 401 032

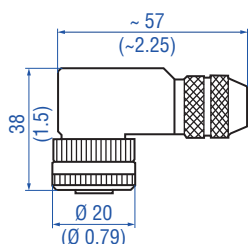
Material: PA neobind
Weight: Ca. 5 g
Operating temperature:
-40...+105 °C (-40...+221 °F)
Surface pressure: Max. 20 N/mm²

Cable connectors²



Female, straight, 5 pin, M12
Part no. 370 677

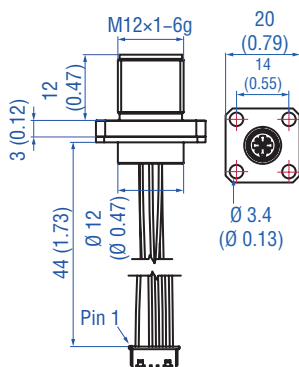
Housing: GD-Zn, Ni / IP67
Termination: Screw; max. 0.75 mm²
Contact insert: CuZn
Cable Ø: 4...8 mm (0.16...0.31 in.)
Fastening torque: 0.6 Nm



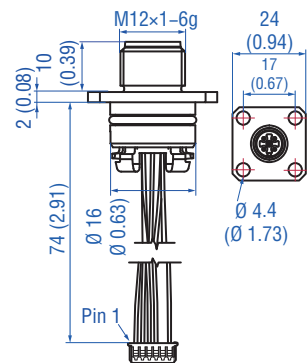
Female, angled, 5 pin, M12
Part no. 370 678

Housing: GD-Zn, Ni / IP67
Termination: Screw; max. 0.75 mm²
Contact insert: CuZn
Cable Ø: 5...8 mm (0.2...0.31 in.)
Fastening torque: 0.6 Nm

Mating connector cables



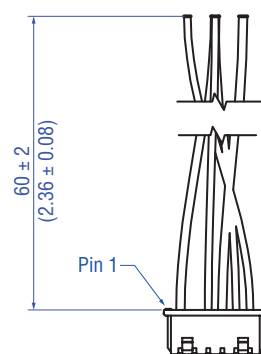
5 pin mating connector cable M12
Part no. 254 256



5 pin mating connector cable M12
Part no. 254 560



Extension cable molex to molex
140 mm: Part no. 254 642-1
340 mm: Part no. 254 642-2
640 mm: Part no. 254 642-3



Mating connector cable pigtail
Part no. 254 266

More information see  [551758](#)

Controlling design dimensions are in millimeters and measurements in () are in inches
2/ Follow the manufacturer's mounting instructions when connecting the connectors

ORDER CODE

1	2	3	4	5	6	7	8	9	10	11	12	13	14	15
E	E	S									1			
a		b	c					d			e	f		

a	Sensor model
E E	Rod

b	Design
S	Pressure fit flange, 10 mm rod-Ø

c	Stroke length
X X X X M	0050...2540 mm
X X X X U	002.0...100.0 in.

Standard stroke length (mm)*

Stroke length	Ordering steps
50... 500 mm	5 mm
500... 750 mm	10 mm
750...1000 mm	25 mm
1000...2540 mm	50 mm

Standard stroke length (in.)*

Stroke length	Ordering steps
2... 20 in.	0.2 in.
20... 30 in.	0.5 in.
30... 40 in.	1.0 in.
40...100 in.	2.0 in.

d	Connection type
M 1 1	6 pin molex PicoBlade™ connector system Cable length 110 mm
M 3 1	6 pin molex PicoBlade™ connector system Cable length 310 mm
M 6 1	6 pin molex PicoBlade™ connector system Cable length 610 mm

e	Operating voltage
1	+24 VDC (-15 / +20 %)

f	Output
A 0 1	4...20 mA
A 1 1	20...4 mA

DELIVERY



Sensor, O-ring

Accessories have to be ordered separately.

Operation manuals & software are available at:
www.mtssensors.com

* / Non standard stroke lengths are available; must be encoded in 5 mm / 0.1 in. increments

Document Part Number:
551334 Revision D (EN) 02/2016

LOCATIONS

USA
MTS Systems Corporation
Sensors Division
3001 Sheldon Drive
Cary, N.C. 27513, USA
Tel. +1 919 677-0100
Fax +1 919 677-0200
info.us@mtssensors.com
www.mtssensors.com

JAPAN
MTS Sensors Technology Corp.
737 Aihara-machi,
Machida-shi,
Tokyo 194-0211, Japan
Tel. +81 42 775-3838
Fax +81 42 775-5512
info.jp@mtssensors.com
www.mtssensors.com

FRANCE
MTS Systems SAS
Zone EUROPARC Bâtiment EXA 16
16/18, rue Eugène Dupuis
94046 Creteil, France
Tel. +33 1 58 4390-28
Fax +33 1 58 4390-03
info.fr@mtssensors.com
www.mtssensors.com

GERMANY
MTS Sensor Technologie
GmbH & Co. KG
Auf dem Schüffel 9
58513 Lüdenscheid, Germany
Tel. +49 2351 9587-0
Fax +49 2351 56491
info.de@mtssensors.com
www.mtssensors.com

CHINA
MTS Sensors
Room 504, Huajing Commercial Center,
No. 188, North Qinzhou Road
200233 Shanghai, China
Tel. +86 21 6485 5800
Fax +86 21 6495 6329
info.cn@mtssensors.com
www.mtssensors.com

ITALY
MTS Systems Srl
Sensor Division
Via Camillo Golgi, 5/7
25064 Gussago (BS), Italy
Tel. +39 030 988 3819
Fax +39 030 982 3359
info.it@mtssensors.com
www.mtssensors.com

LEGAL NOTICES

MTS, Temposonics and Level Plus are registered trademarks of MTS Systems Corporation in the United States; MTS SENSORS and the MTS SENSORS logo are trademarks of MTS Systems Corporation within the United States. These trademarks may be protected in other countries. All other trademarks are the property of their respective owners. Copyright © 2016 MTS Systems Corporation. No license of any intellectual property rights is granted. MTS reserves the right to change the information within this document, change product designs, or withdraw products from availability for purchase without notice. Typographic and graphics errors or omissions are unintentional and subject to correction. Visit www.mtssensors.com for the latest product information.

ISO 9001
CERTIFIED

