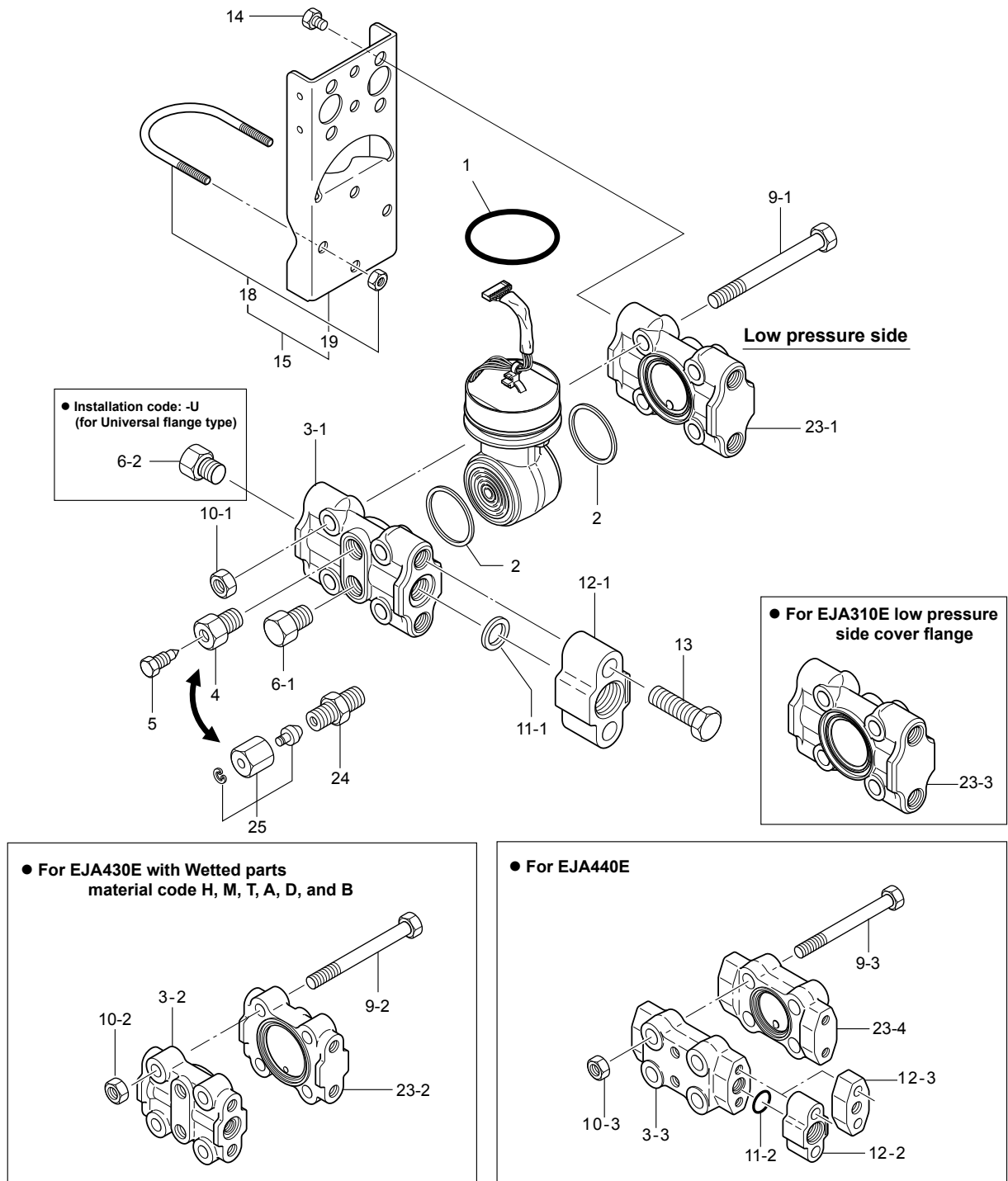


Customer Maintenance Parts List

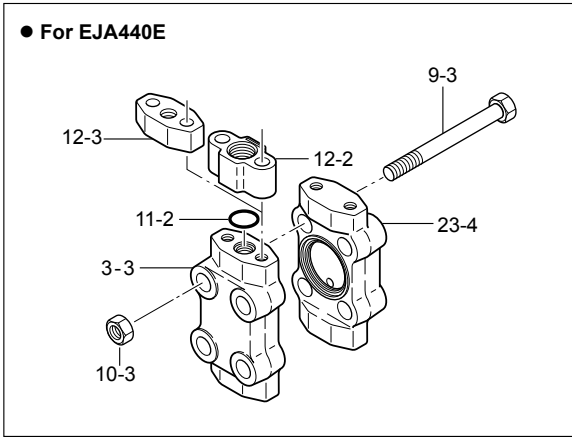
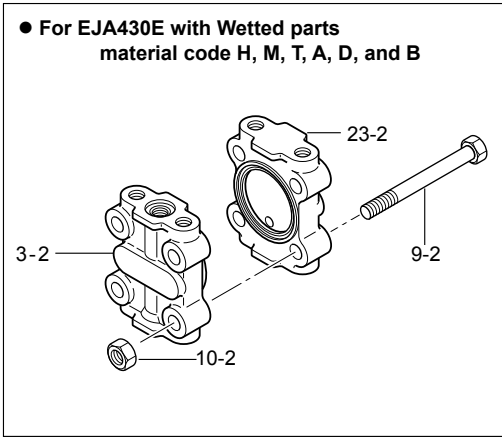
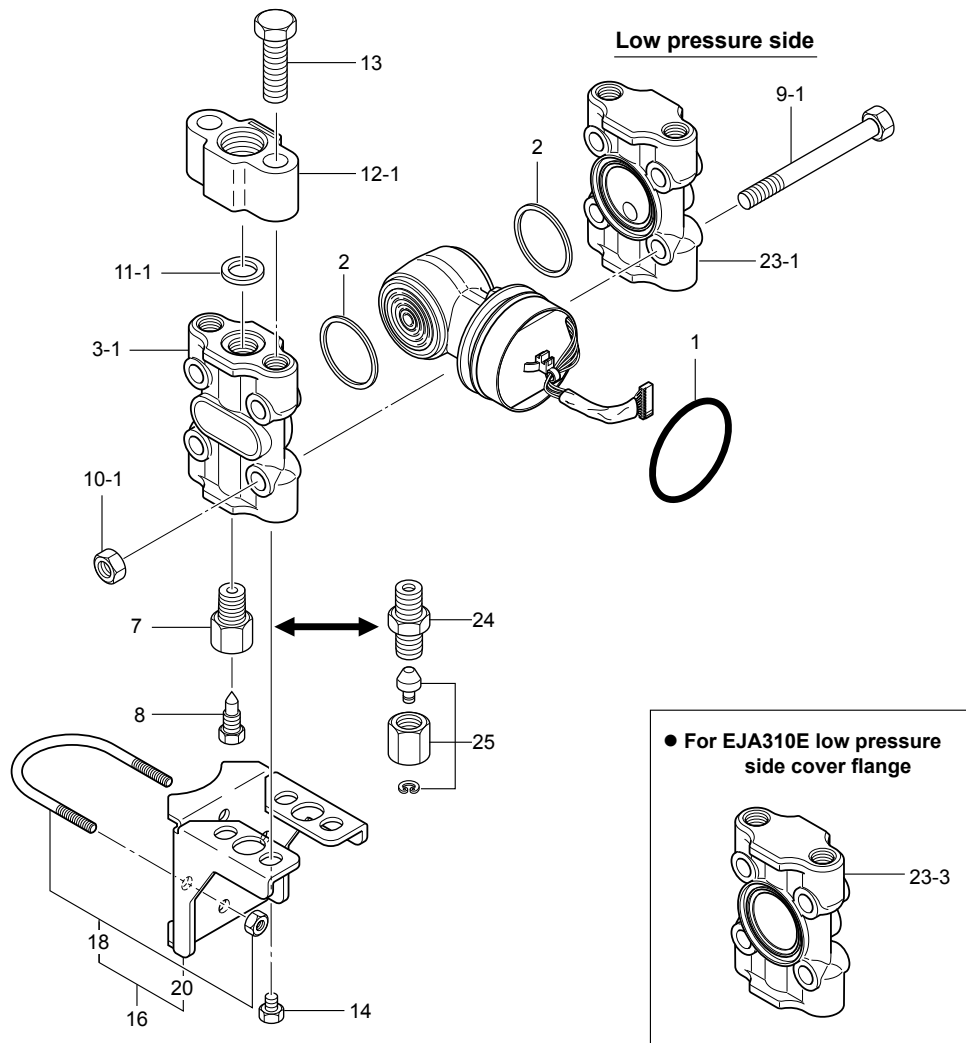
EJA310E, EJA430E, and EJA440E Absolute and Gauge Pressure Transmitters (Pressure-detector Section)



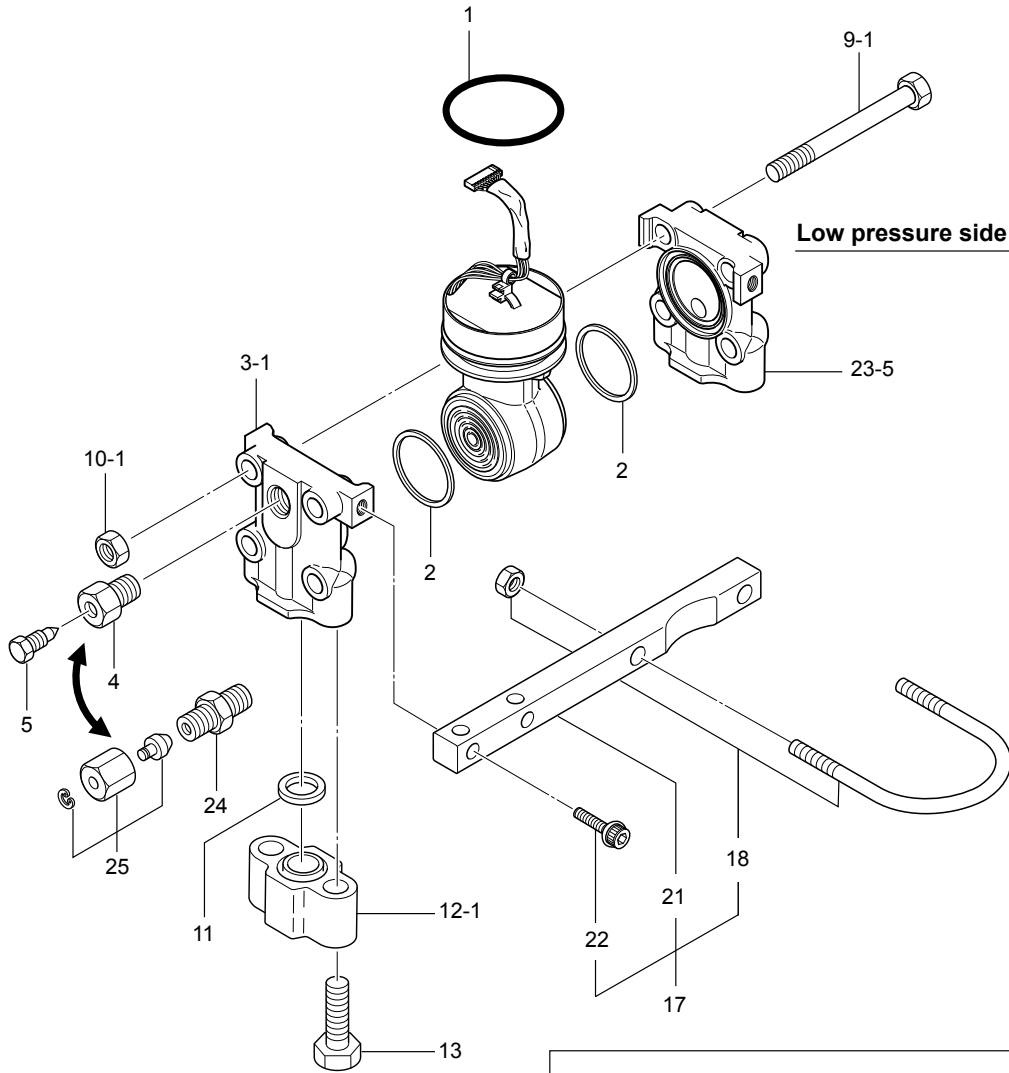
Horizontal Impulse Piping Type



Vertical Impulse Piping Type



Bottom Process Connection Type



● For EJA310E low pressure side cover flange

23-6

Item	Part No.	Qty			Description
		EJA310E	EJA430E	EJA440E	
1	Below F9900GH F9900GT	1	1	1	O-ring Buna-N For Option code /HE, Fluoro-rubber
2	Below F9900EA F9900EA F9340GE F9900EA F9900EF	2	2	2	Gasket, (Note 1) For EJA310E, Teflon coated 316L SST For EJA430E with Wetted parts material code S, Teflon coated 316L SST For EJA430E with Wetted parts material code H, M, T, A, D, and B, PTFE Teflon For EJA440E, Teflon coated 316L SST For Option code /GS, EJA310E, EJA430E, or EJA440E, Gold plated 316L SST
3-1	Below 1 F9900TA F9900TB F9900TC F9900TD F9900UA F9900UB F9900TG F9900TH	1			Cover flange for EJA310E (Note 1) Rc 1/4 for horizontal impulse piping, ASTM CF-8M 1/4 NPT for horizontal impulse piping, ASTM CF-8M Rc 1/4 for vertical impulse piping, ASTM CF-8M 1/4 NPT for vertical impulse piping, ASTM CF-8M Rc 1/4 for universal flange, ASTM CF-8M 1/4 NPT for universal flange, ASTM CF-8M Rc 1/4 for bottom process connection, ASTM CF-8M 1/4 NPT for bottom process connection, ASTM CF-8M
3-1	Below 2 F9900TA F9900TB F9900TC F9900TD F9900UA F9900UB F9900TG F9900TH	1			Cover flange for EJA430E with Wetted parts material code S (Note 1) Rc 1/4 for horizontal impulse piping, ASTM CF-8M 1/4 NPT for horizontal impulse piping, ASTM CF-8M Rc 1/4 for vertical impulse piping, ASTM CF-8M 1/4 NPT for vertical impulse piping, ASTM CF-8M Rc 1/4 for universal flange, ASTM CF-8M 1/4 NPT for universal flange, ASTM CF-8M Rc 1/4 for bottom process connection, ASTM CF-8M 1/4 NPT for bottom process connection, ASTM CF-8M
3-2	Below 1 F9340VP F9340VR F9340VN F9340VQ	1			Cover flange for EJA430E with Wetted parts material code H, M, and T (Note 1) Rc 1/4 for horizontal impulse piping, ASTM CF-8M 1/4 NPT for horizontal impulse piping, ASTM CF-8M Rc 1/4 for vertical impulse piping, ASTM CF-8M 1/4 NPT for vertical impulse piping, ASTM CF-8M
3-2	Below 2 F9340VS F9340VT F9340VU F9340VV	1			Cover flange for EJA430E with Wetted parts material code A and D (Note 1) Rc 1/4 for horizontal impulse piping, Hastelloy C-276 equivalent 1/4 NPT for horizontal impulse piping, Hastelloy C-276 equivalent Rc 1/4 for vertical impulse piping, Hastelloy C-276 equivalent 1/4 NPT for vertical impulse piping, Hastelloy C-276 equivalent
3-2	Below 3 F9340TP F9340TR F9340TN F9340TQ	1			Cover flange for EJA430E with Wetted parts material code B (Note 1) Rc 1/4 for horizontal impulse piping, Monel equivalent 1/4 NPT for horizontal impulse piping, Monel equivalent Rc 1/4 for vertical impulse piping, Monel equivalent 1/4 NPT for vertical impulse piping, Monel equivalent
3-3	Below 1 F9900WR F9900WS F9900WP F9900WQ	1			Cover flange for EJA440E with Measurement span code C (Note 1) Rc 1/4 for horizontal impulse piping, F316 SST 1/4 NPT for horizontal impulse piping, F316 SST Rc 1/4 for vertical impulse piping, F316 SST 1/4 NPT for vertical impulse piping, F316 SST
3-3	Below 2 F9900WA F9900WB F9900WC F9900WD	1			Cover flange for EJA440E with Measurement span code D (Note 1) Rc 1/4 for horizontal impulse piping, F316 SST 1/4 NPT for horizontal impulse piping, F316 SST Rc 1/4 for vertical impulse piping, F316 SST 1/4 NPT for vertical impulse piping, F316 SST
4	Below F9340SA F9340SB F9340SE F9340SF F9340SS F9340ST	1	1	1	Vent plug R 1/4 with Wetted parts material code S, H, M, and T, 316 SST 1/4 NPT with Wetted parts material code S, H, M, and T, 316 SST R 1/4 with Wetted parts material code A and D, Hastelloy C-276 1/4 NPT with Wetted parts material code A and D, Hastelloy C-276 R 1/4 with Wetted parts material code B, Monel 1/4 NPT with Wetted parts material code B, Monel
5	Below D0114PB F9340SK F9270HG	1	1	1	Vent screw With Wetted parts material code S, H, M, and T, 316 SST With Wetted parts material code A and D, Hastelloy C-276 With Wetted parts material code B, Monel

(Note 1) In case of degrease cleansing treatment (Option code /K1, /K2, /K5, or /K6), consult Yokogawa local office.

Item	Part No.	Qty			Description
		EJA310E	EJA430E	EJA440E	
6-1	Below F9200CS D0114RZ F9340SL F9340SM F9340SW D0117MS	1 1 1 1 1 1	1 1 1 1 1 1	1 1 1 1 1 1	Drain plug for Horizontal impulse piping type / Universal flange type (Note 1) R 1/4 with Wetted parts material code S, H, M, and T, 316 SST 1/4 NPT with Wetted parts material code S, H, M, and T, 316 SST R 1/4 with Wetted parts material code A and D, Hastelloy C-276 1/4 NPT with Wetted parts material code A and D, Hastelloy C-276 R 1/4 with Wetted parts material code B, Monel 1/4 NPT with Wetted parts material code B, Monel
6-2	Below F9200CS D0114RZ	1 1 1	1 1 1	1 1 1	Drain plug for Universal flange type (Note 1) R 1/4, 316 SST 1/4 NPT, 316 SST
7	Below F9340SC F9340SD F9340SG F9340SH F9340SU F9340SV	1 1 1 1 1 1	1 1 1 1 1 1	1 1 1 1 1 1	Drain/vent plug R 1/4 with Wetted parts material code S, H, M, and T, 316 SST 1/4 NPT with Wetted parts material code S, H, M, and T, 316 SST R 1/4 with Wetted parts material code A and D, Hastelloy C-276 1/4 NPT with Wetted parts material code A and D, Hastelloy C-276 R 1/4 with Wetted parts material code B, Monel 1/4 NPT with Wetted parts material code B, Monel
8	Below F9270HE F9340SJ D0117MR	1 1 1	1 1 1	1 1 1	Drain/vent screw With Wetted parts material code S, H, M, and T, 316 SST With Wetted parts material code A and D, Hastelloy C-276 With Wetted parts material code B, Monel
9-1	Below 1 F9900AC F9900AA F9900AD	4 4 4 4			Bolt for EJA310E ASTM-B7M carbon steel 316L SST ASTM grade 660 stainless steel
9-1	Below 2 F9900AC F9900AA F9900AD	4 4 4 4			Bolt for EJA430E, with Wetted parts material code S ASTM-B7M carbon steel 316L SST ASTM grade 660 stainless steel
9-2	Below F9340BC F9900AB F9900AR	4 4 4 4			Bolt for EJA430E with Wetted parts material code H, M, T, A, D, and B ASTM-B7M carbon steel 316L SST ASTM grade 660 stainless steel
9-3	Below F9900AL F9900AJ F9900AQ	4 4 4 4			Bolt for EJA440E ASTM-B7M carbon steel 316L SST ASTM grade 660 stainless steel
10-1	Below 1 F9900BC F9900BA F9900BE	4 4 4 4			Nut for EJA310E ASTM-B7M carbon steel 316L SST ASTM grade 660 stainless steel
10-1	Below 2 F9900BC F9900BA F9900BE	4 4 4 4			Nut for EJA430E with Wetted parts material code S ASTM-B7M carbon steel 316L SST ASTM grade 660 stainless steel
10-2	Below F9340CC F9900BB F9900BR	4 4 4 4			Nut for EJA430E with Wetted parts material code H, M, T, A, D, and B ASTM-B7M carbon steel 316L SST ASTM grade 660 stainless steel
10-3	Below F9900BL F9900BJ F9900BP	4 4 4 4			Nut for EJA440E ASTM-B7M carbon steel 316L SST ASTM grade 660 stainless steel
11-1	D0114RB	1	1		Gasket for EJA310E and EJA430E, PTFE Teflon (Note 1)
11-2	Below F9340GN F9202FJ	1 1 1	1 1 1		Gasket for EJA440E (Note 1) Measurement span code C, Fluorinated rubber Measurement span code D, Glass reinforced Teflon

(Note 1) In case of degrease cleansing treatment (Option code /K1, /K2, /K5, or /K6), consult Yokogawa local office.

Item	Part No.	Qty			Description
		EJA310E	EJA430E	EJA440E	
12-1	Below 1 F9340XY F9340XW F9340XZ F9340XX	1			Process connector for EJA310E Rc 1/4, ASTM CF-8M Rc 1/2, ASTM CF-8M 1/4 NPT, ASTM CF-8M 1/2 NPT, ASTM CF-8M
12-1	Below 2 F9340XY F9340XW F9340XZ F9340XX	1			Process connector for EJA430E with Wetted parts material code S, H, M, and T Rc 1/4, ASTM CF-8M Rc 1/2, ASTM CF-8M 1/4 NPT, ASTM CF-8M 1/2 NPT, ASTM CF-8M
12-1	Below 2 F9340WY F9340WW F9340WZ F9340WX	1			Process connector for EJA430E with Wetted parts material code A and D Rc 1/4, Hastelloy C-276 equivalent Rc 1/2, Hastelloy C-276 equivalent 1/4 NPT, Hastelloy C-276 equivalent 1/2 NPT, Hastelloy C-276 equivalent
12-1	Below 3 F9340TY F9340TW F9340TZ F9340TX	1			Process connector for EJA430E with Wetted parts material code B Rc 1/4, Monel equivalent Rc 1/2, Monel equivalent 1/4 NPT, Monel equivalent 1/2 NPT, Monel equivalent
12-2	Below F9340WW F9340WU F9340XT F9340XS		1		Process connector for EJA440E with Measurement span code C Rc 1/4, ASTM CF-8M Rc 1/2, ASTM CF-8M 1/4 NPT, ASTM CF-8M 1/2 NPT, ASTM CF-8M
12-3	Below F9271FD F9271FC F9271FF F9271FE		1		Process connector for EJA440E with Measurement span code D Rc 1/4, F316 SST Rc 1/2, F316 SST 1/4 NPT, F316 SST 1/2 NPT, F316 SST
13	Below F9900AU F9900AS F9340BZ	2	2	2	Process connector bolt ASTM-B7M carbon steel 316L SST ASTM grade 660 stainless steel
14	Below F9273CZ F9900SH	4	4	4	Transmitter mounting bolt SUSXM7 for Mounting bracket code B and D 316 SST for Mounting bracket code J and K
15	Below F9300TA F9900SA	1	1	1	Bracket assembly (Flat type) 304 SST 316 SST
16	Below F9340EC F9900SC	1	1	1	Bracket assembly (L type) 304 SST 316 SST
17	F9900SE	1	1		Bracket assembly (Bottom process connection), 316 SST
18	Below D0117XL-A F9900SN	1	1	1	U-bolt/nut assembly, 304 SST 316 SST
19	Below F9300TE F9900SB	1	1	1	Bracket (Flat type) 304 SST 316 SST
20	Below F9340EM F9900SD	1	1	1	Bracket (L type) 304 SST 316 SST
21	F9900SF	1	1		Bracket (Bottom process connection), 316 SST
22	F9900SG	2	2		Transmitter mounting bolt , 316 SST

(Note 1) In case of degrease cleansing treatment (Option code /K1, /K2, /K5, or /K6), consult Yokogawa local office.

Item	Part No.	Qty			Description
		EJA310E	EJA430E	EJA440E	
23-1	Below F9900TE F9900TF F9900UK		1		Cover flange for EJA430E with Wetted parts material code S, low pressure side For horizontal impulse piping, ASTM CF-8M For vertical impulse piping, ASTM CF-8M For universal flange, ASTM CF-8M
23-2	Below F9340RJ F9340RK		1		Cover flange for EJA430E with Wetted parts material code H, M, T, A, D, and B, low pressure side For horizontal impulse piping, ASTM CF-8M For vertical impulse piping, ASTM CF-8M
23-3	F9900TT		1		Cover flange for EJA310E, low pressure side, ASTM CF-8M
23-4	Below F9900WE F9900WF			1	Cover flange for EJA440E, low pressure side For horizontal impulse piping, F316 SST For vertical impulse piping, F316 SST
23-5	F9900TY		1		Cover flange for EJA430E, bottom process connection, low pressure side, ASTM CF-8M
23-6	F9900TZ		1		Cover flange for EJA310E, bottom process connection, low pressure side, ASTM CF-8M
24	Below F9275EC F9275ED	1	1	1	Vent plug (degreased), 316 SST R 1/4 1/4 NPT
25	F9275EE	1	1	1	Needle assembly (degreased), 316 SST

(Note 1) In case of degrease cleansing treatment (Option code /K1, /K2, /K5, or /K6), consult Yokogawa local office.