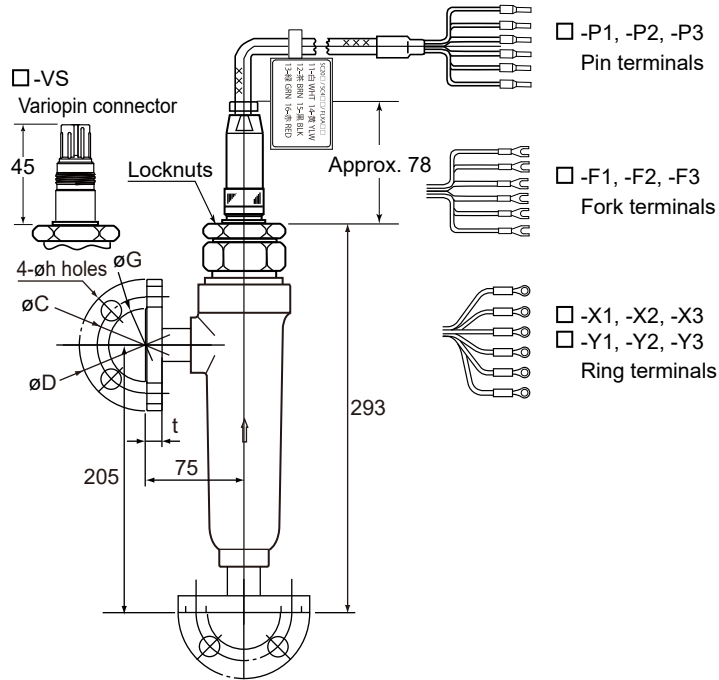


# Drawings

## SC8SG - R□□-□-304 SC8SG - R□□-□-305 Flow-through type Conductivity detector (for Flange connection)

Unit: mm



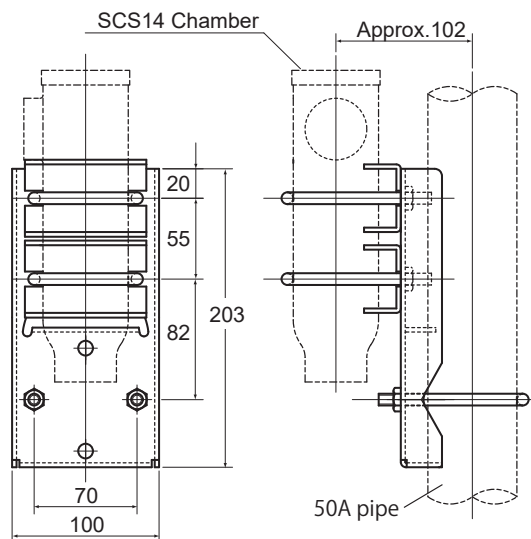
Model and Suffix Code	Flange rating	ØC	ØD	ØG	Øh	t
SC8SG - R□□-□-304	JIS 10K-15-RF	70	95	52	15	12
SC8SG - R□□-□-305	ANSI Class150 1/2 RF *	60.5	88.9	34.9	15.7	11.2

\*: ANSI flange with serrations.

Weight :Approx. 4.5 kg (excluding the cable)

Cable : 5.5m length : Approx. 0.3 kg  
10m length : Approx. 0.5 kg  
20m length : Approx. 0.9 kg

### □ Mounting hardware (Option code : /SS)



Weight: Approx. 1.9 kg

Unless otherwise specified, differences in the dimensions are specified as: General tolerance = ±(Criteria of tolerance class IT18 in JIS B0401-1998)/2.