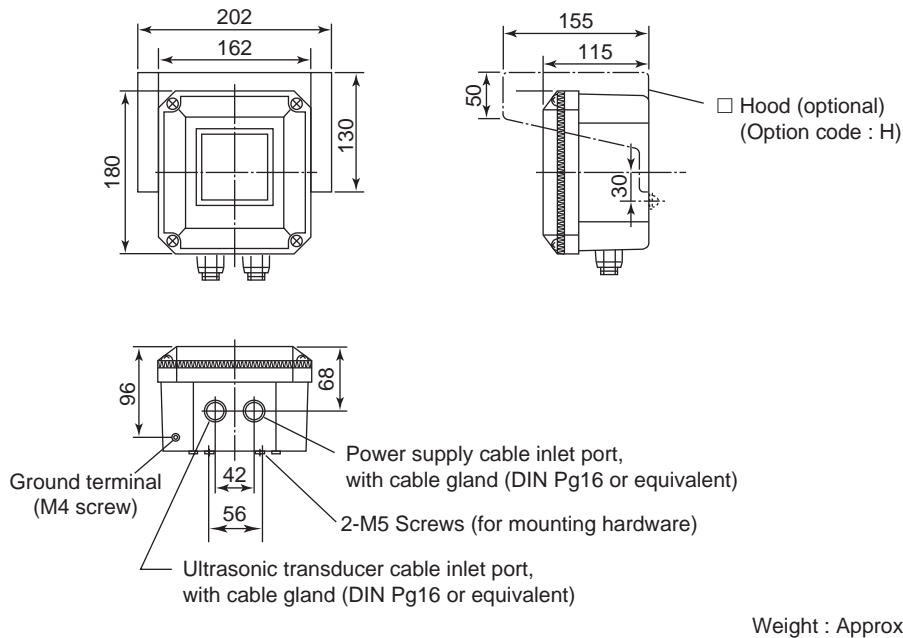
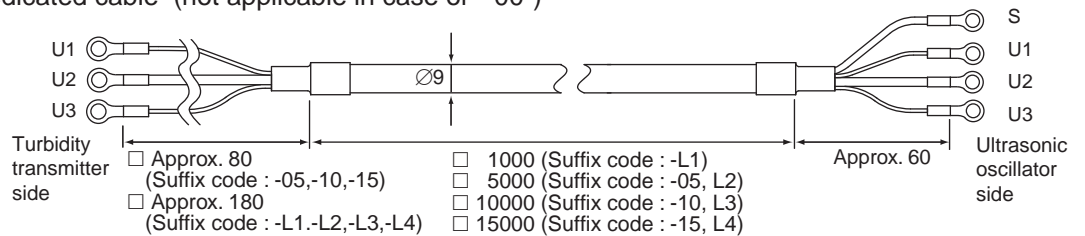


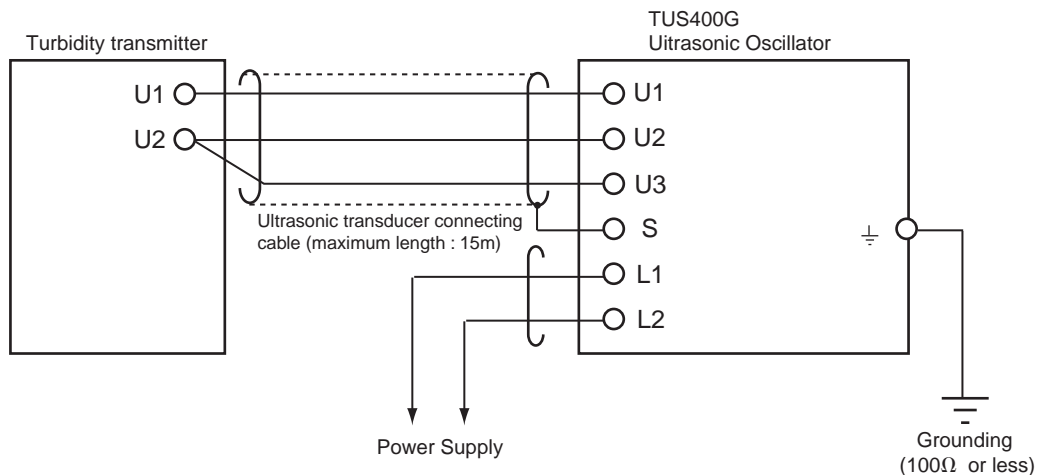
Unit : mm



Dedicated cable (not applicable in case of "-00")



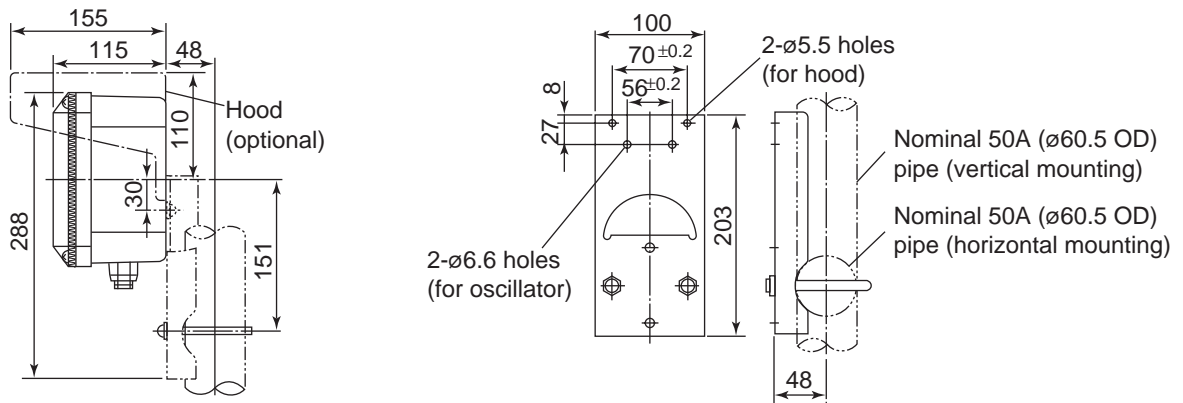
External Wiring Cable Connection Terminals and Diagram



Unless otherwise specified, differences in the dimensions are specified as : General tolerance=(Criteria of tolerance class IT18 in JIS B0401-1998)/2.

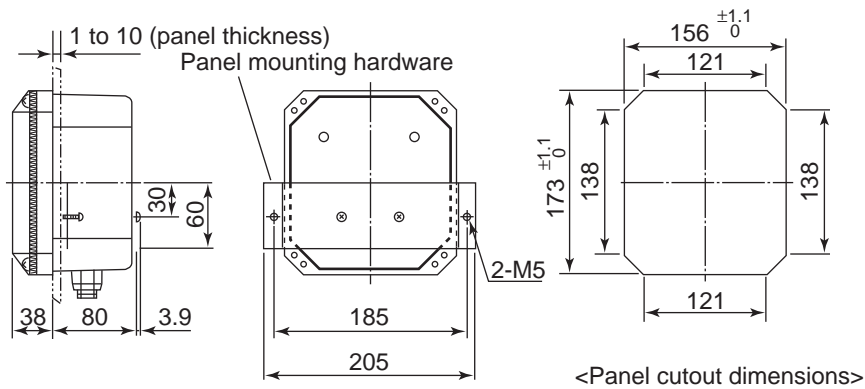
Pipe Mounting Hardware (option code : /PS)

Weight : Approx. 0.7 kg



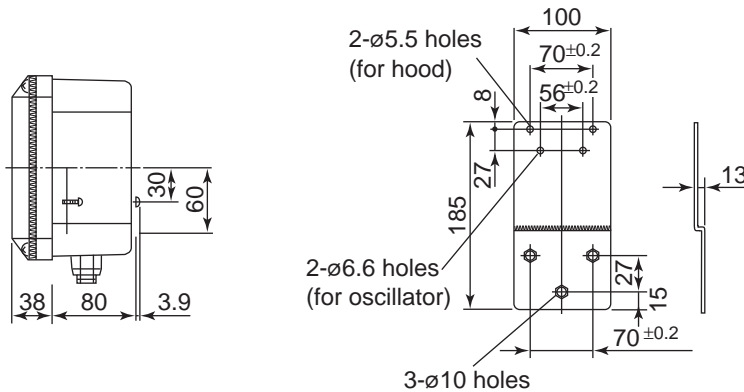
Panel Mounting Hardware (option code : /PA)

Weight : Approx. 0.4 kg

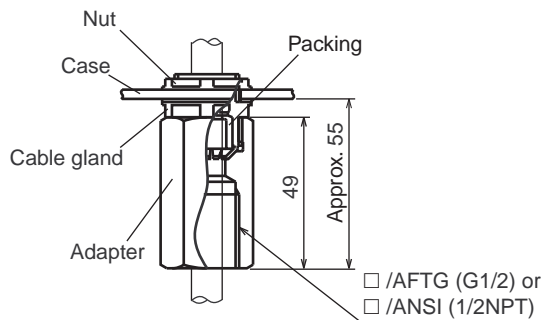


Wall Mounting Hardware (option code : /W)

Weight : Approx. 0.4 kg



Adapter for conduit work (option code : /AFTG, /ANSI)



- /AFTG (G1/2) or
- /ANSI (1/2NPT)

Unless otherwise specified, differences in the dimensions are specified as : General tolerance=(Criteria of tolerance class IT18 in JIS B0401-1998)/2.