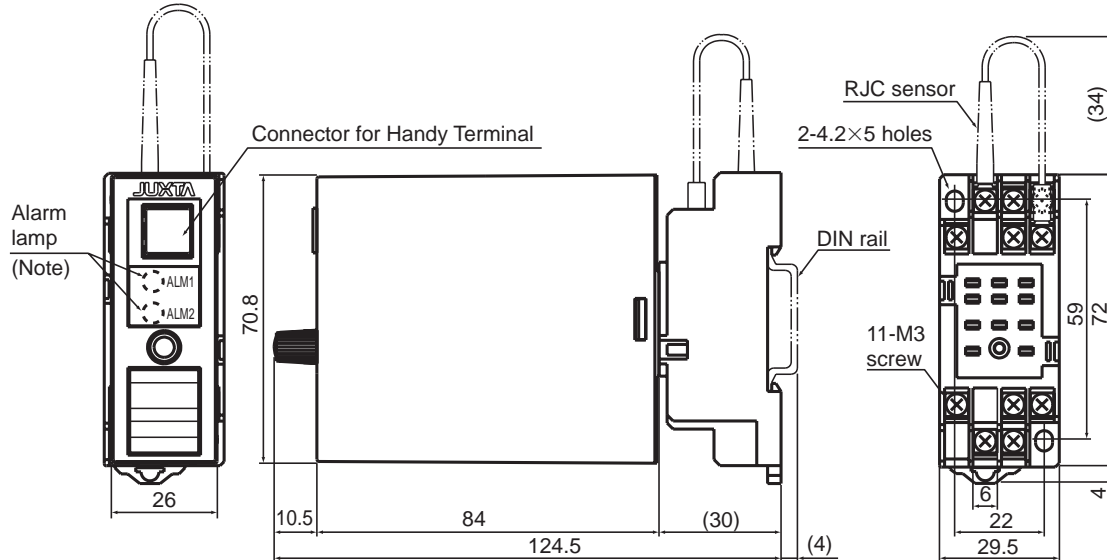


SD 77J01U07-01E

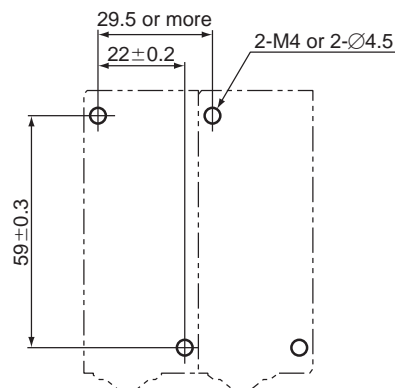
Unit: mm

External Dimensions

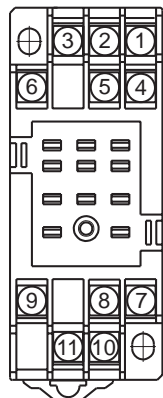


Note : Only when output-2 is alarm output

Mounting Dimensions



Terminal Arrangement



| Terminal No. | Signal | Thermocouple | RTD | mV input | Output-2 Analog output | Output-2 Communication output | Output-2 Alarm output |
|--------------|----------|--------------|-----|----------|------------------------|-------------------------------|-----------------------|
| 1 | Input | (+) | (A) | (+) | ← | ← | ← |
| 2 | Output-2 | → | → | → | (+) | B (+) | ALM1 |
| 3 | Input | (-) [RJC] | (B) | (-) | ← | ← | ← |
| 4 | Input | → | (B) | N.C. | ← | ← | ← |
| 5 | Output-2 | → | → | → | (-) | A (-) | COM |
| 6 | Output-2 | → | → | → | N.C. | COM | ALM2 |
| 7 | Output-1 | (+) ← | | | | | |
| 8 | GND | GND ← | | | | | |
| 9 | Output-1 | (-) ← | | | | | |
| 10 | Supply | (L+) ← | | | | | |
| 11 | Supply | (N-) ← | | | | | |

Note : In case of one output type, output-2 is N.C.