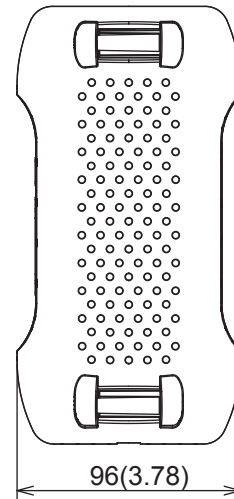
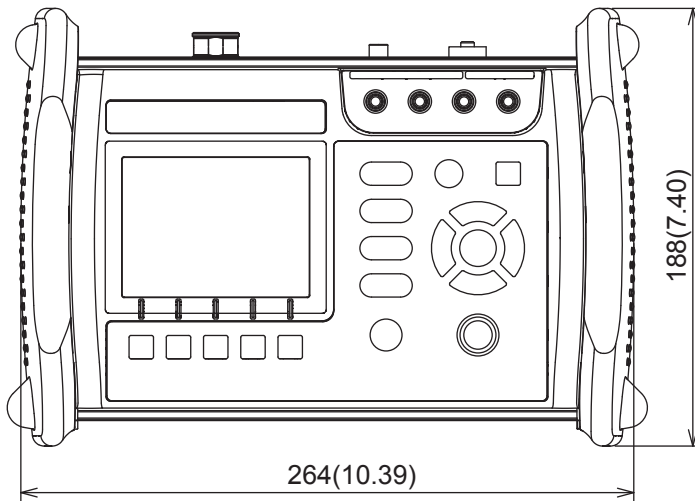
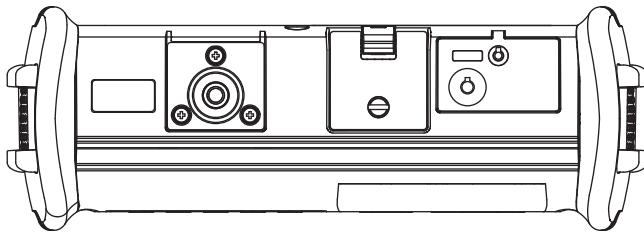


Drawings

CA700 Pressure Calibrator

Unit: mm
(approx. inch)



Weight : approx. 2.0 kg
(including AA-size batteries)

If not specified, the tolerance is $\pm 3\%$. However, in cases of less than 10 mm, the tolerance is ± 0.3 mm.