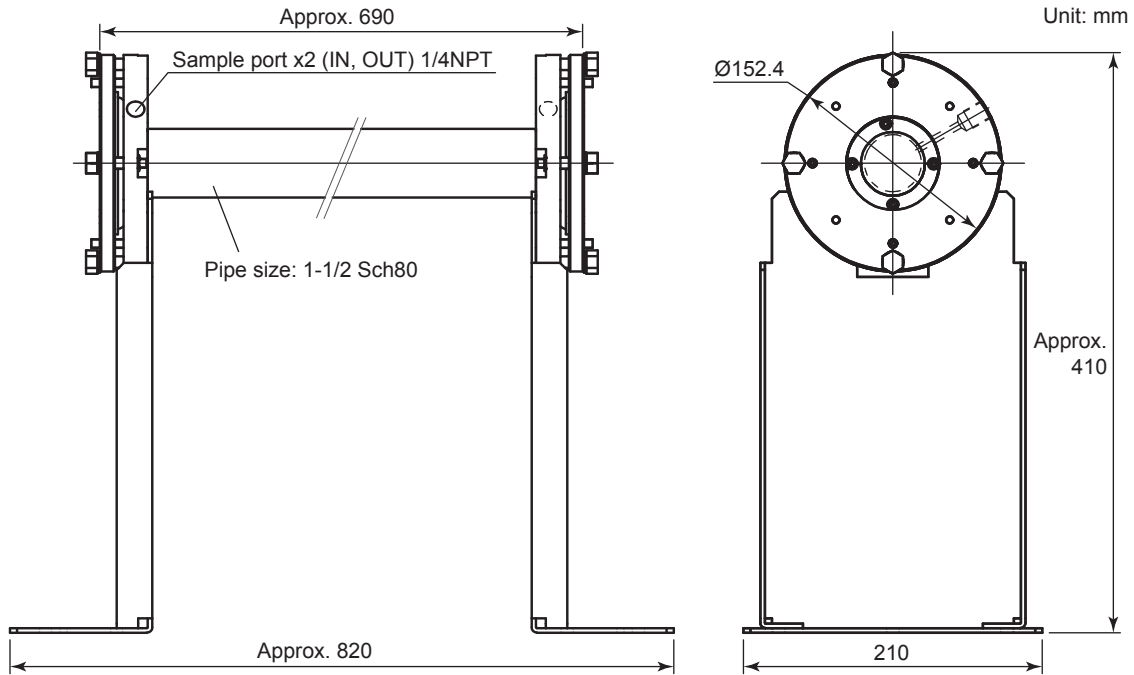


Drawings

K9772XA, K9772XB, K9772XC, K9772XD, K9772XE,
K9772XF, K9772XG, K9772XH, K9772XJ, K9772XL,
K9772XM
Calibration Cell for TDLS8000



Part No.	Description
K9772XA	Calibration Cell with free-standing frame for O ₂
K9772XB	Calibration Cell with free-standing frame for O ₂ LAO
K9772XC	Calibration Cell with free-standing frame for ppm H ₂ O in non- hydrocarbon background
K9772XD	Calibration Cell with free-standing frame for NH ₃
K9772XE	Calibration Cell with free-standing frame for ppm H ₂ O in hydrocarbon
K9772XF	Calibration Cell with free-standing frame for ppm CO
K9772XG	Calibration Cell with free-standing frame for ppm H ₂ O LAO
K9772XH	Calibration Cell with free-standing frame for CO (%) + CO ₂ (%), CO ₂ (%) Extend. Range
K9772XJ	Calibration Cell with free-standing frame for HCl
K9772XL	Calibration Cell with free-standing frame for CO (%), CO ₂ (%) High Range
K9772XM	Calibration Cell with free-standing frame for H ₂ S

Weight: Approx. 14 kg

Unless otherwise specified, differences in the dimensions are specified as: General tolerance = \pm (Criteria of tolerance class IT18 in JIS B0401-1998)/2.