

### 1. PRECAUTION

Please read through this Manual before use the instrument for correct handling. Please keep this Manual carefully after use. This instrument has been thoroughly tested at the factory before shipment. When you receive it, visually inspect it for damage and check the accessories.

- ① Model number and specification check  
Check to see the model number and specifications on the nameplate attached to the front face of the instrument are as ordered.
- ② Contents of instruction manual  
This instruction manual provides instructions on handling, external wiring and safety use of instrument.

### 2. GENERAL

This compact plug-in type distributor for use with 2-wire transmitter has 2 functions of distributor and signal conversion.

Accessories:

- Spacer ..... 1  
(Use for DIN rail mounting)

### 3. MOUNTING METHOD

JUXTA M Series signal conditioners can be mounted on wall or DIN rail.

#### 3.1 Wall mounting

Unlock stoppers and remove the distributor from socket as shown in Fig.1. Then, fix the socket on the wall. Take installation gap as shown in Fig.3. (Refer Fig.3 for mounting dimensions).

#### 3.2 DIN rail mounting

Insert DIN rail into upper section of the DIN rail groove on rear of socket of distributor and fix the rail with slidlock at the base of the distributor as shown in Fig.2.

Use furnished spacer and take 5mm gap between distributors.

#### 3.3

If the wiring duct is used, install it aparting more than 20mm from top of main body.

### 4. EXTERNAL WIRING

**CAUTION** Wiring should be done after ensuring power break of each cable.

See Fig.4 for terminal arrangement and Fig.5 for wiring.

Wires should be connected to M3.5 screw terminals by referring Fig.5. For wiring, flexible twisted wires and good contact of durable round crimp-on terminals are recommended to be used.

- Signal cable should has more than 0.5mm<sup>2</sup> and power cable should has more than 1.25mm<sup>2</sup> of nominal cross-sectional area of conductor.

#### 4.1 Wiring

- ① Connect input signal cable to distributor terminals 3(-), 4(COM), 5(PS+).
- ② Connect output signal cable to terminals 1(+) and 2(-).
- ③ Connect power cable to terminals 7(L+), 8(N-) and ground to 6(GND).

**NOTE :** Apart wiring of power and input/output cables from noise source. Otherwise, accuracy may not be warranted.

Fig.1 Wall Mounting

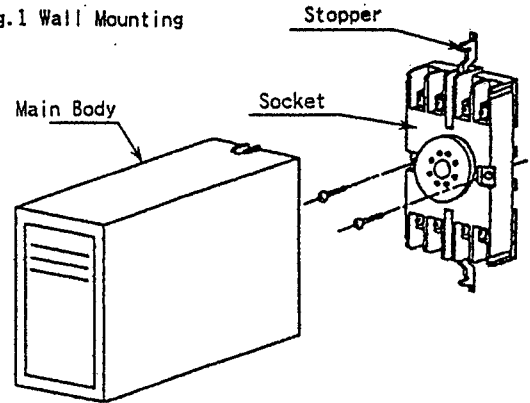
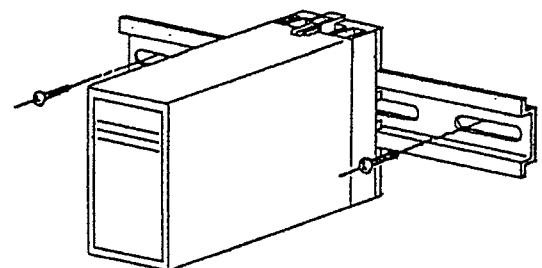
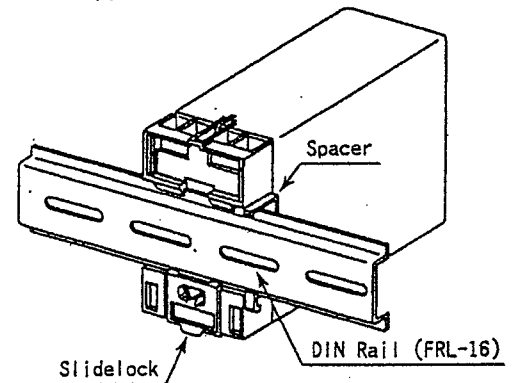


Fig.2 DIN Rail Mounting

To remove distributor from DIN rail, lower the slidlock with (-) screwdriver.



**5. INSTALLATION AND HANDLING**

- ① Avoid installation in such environments as shock, vibration, corrosive gas, dust, water oil, solvent, direct sunlight, radiation, powerful electric and magnetic fields.
- ② In order to protect instrument from inducement of thunder surges in power and signal cables, use arrester between distributor and equipment installed in the field.

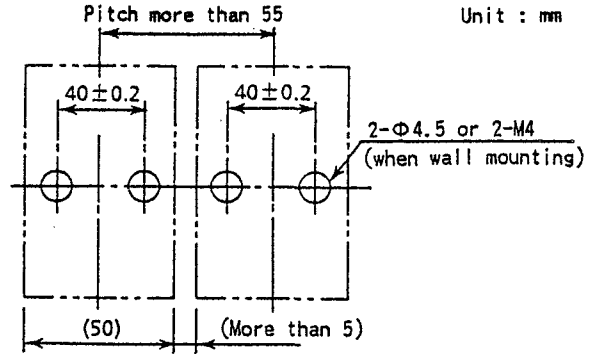
**6. SAFETY USE**

Following caution for safety should be taken for handling of instrument. We are not responsible for damage incurred by use contrary to caution.

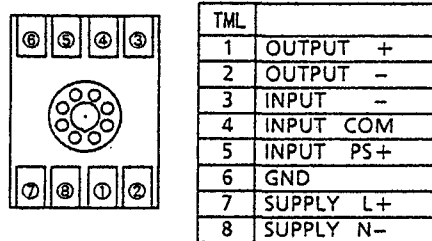
**CAUTION**

- Be sure to lock the stoppers (top and bottom) after inserting the main body into socket.
- Following items should be checked when turning power on. Use of instrument ignoring specifications may cause overheat or burning.
  - (a) Voltage of power supply and input value be applied to the instrument should meet with required specifications.
  - (b) External wiring to terminals should be connected correctly. (See preceding Article 4)
- Do not use the instrument in such dangerous places where exist inflammable and explosive gas or steam.
- As for instrument having power supply of 85~264V AC, these voltages are internally charged in main body. Do not open front cover.

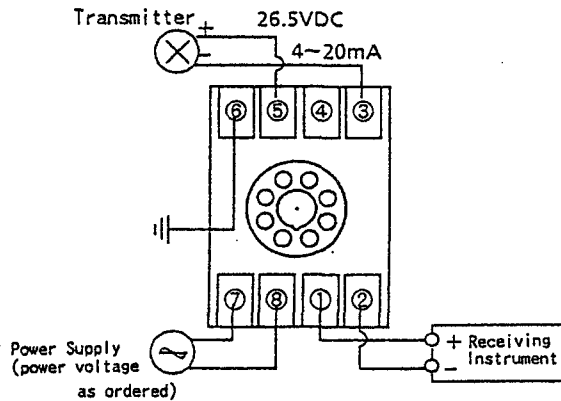
**Fig.3 Mounting Dimension**



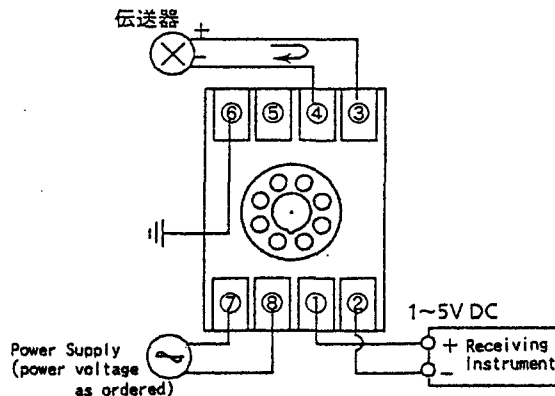
**Fig.4 Terminal Arrangement**



**Fig.5 Wiring Diagram**



For transmitter with power supply, wiring should be done as follows, in case VT4 receives 4~20mA and MT4 outputs 1~5V DC.



Subject to change without notice for grade up quality and performance.