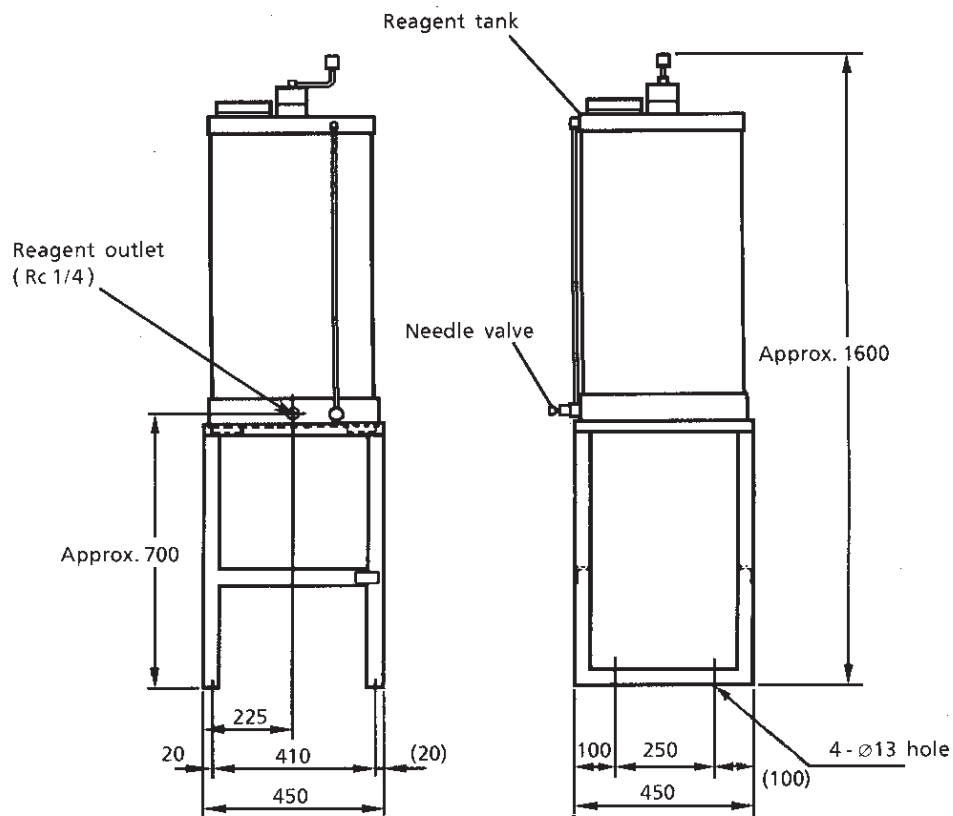


Unit : mm



Weight : Approx. 25 kg