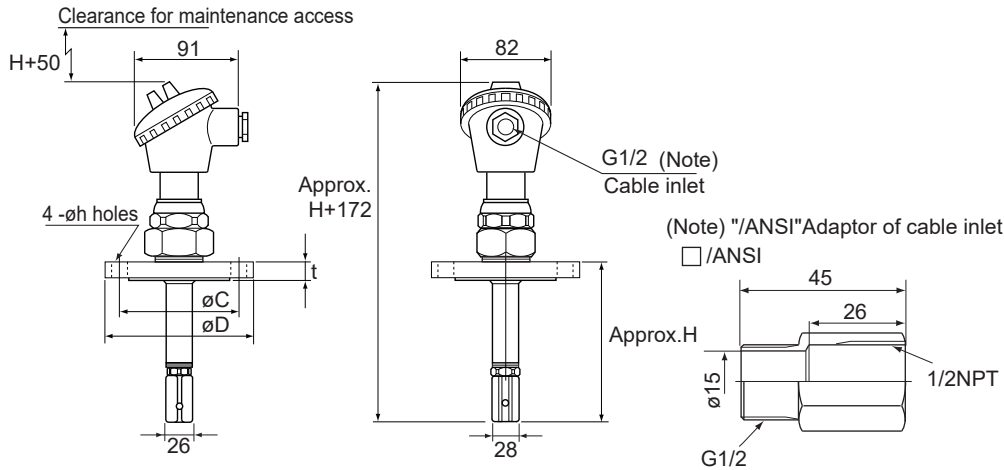


Drawings

SC210G-A-20□, SC210G-V-20□ Flange type Conductivity Detector for Low Range

Unit: mm



Flange

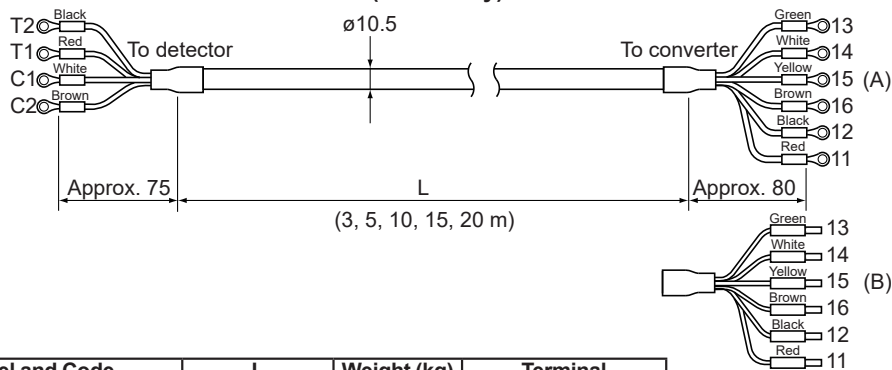
Model and Code	Flange rating	ØC	ØD	t	Øh
SC210G - A - 206	JIS 10K-50-RF	120	155	16	19
SC210G - V - 206					
SC210G - A - 207	ANSI CLASS150-2-RF *	120.7	152.4	19.1	19.1
SC210G - V - 207					
SC210G - A - 208	JPI CLASS150-2-RF	120.6	152	19.5	20
SC210G - V - 208					

*: ANSI flange with serrations.

Insertion length (Sensor length)

Model and Code	H	Weight (kg)
SC210G - □ - 20□ - L015 - □□*A	162	Approx. 4.3
SC210G - □ - 20□ - L030 - □□*A	312	Approx. 4.5
SC210G - □ - 20□ - L050 - □□*A	512	Approx. 4.9
SC210G - □ - 20□ - L100 - □□*A	1012	Approx. 6.4
SC210G - □ - 20□ - L150 - □□*A	1512	Approx. 7.2
SC210G - □ - 20□ - L200 - □□*A	2012	Approx. 8.0

● SC210G Detector - converter connection cable (accessory)



Model and Code	L	Weight (kg)	Terminal
SC210G - □ - 20□ - L□□□ - 03	Approx. 3000	Approx. 0.9	(A) M4 Ring terminal
SC210G - A - 20□ - L□□□ - Y1			(A) M3 Ring terminal
SC210G - A - 20□ - L□□□ - AA			(B) Pin terminal
SC210G - □ - 20□ - L□□□ - 05	Approx. 5000	Approx. 1.5	(A) M4 Ring terminal
SC210G - A - 20□ - L□□□ - Y2			(A) M3 Ring terminal
SC210G - A - 20□ - L□□□ - BB			(B) Pin terminal
SC210G - □ - 20□ - L□□□ - 10	Approx. 10000	Approx. 3.0	(A) M4 Ring terminal
SC210G - A - 20□ - L□□□ - Y3			(A) M3 Ring terminal
SC210G - A - 20□ - L□□□ - CC			(B) Pin terminal
SC210G - □ - 20□ - L□□□ - 15	Approx. 15000	Approx. 4.5	(A) M4 Ring terminal
SC210G - A - 20□ - L□□□ - Y4			(A) M3 Ring terminal
SC210G - A - 20□ - L□□□ - DD			(B) Pin terminal
SC210G - □ - 20□ - L□□□ - 20	Approx. 20000	Approx. 6.0	(A) M4 Ring terminal
SC210G - A - 20□ - L□□□ - Y5			(A) M3 Ring terminal
SC210G - A - 20□ - L□□□ - EE			(B) Pin terminal

Unless otherwise specified, differences in the dimensions are specified as: General tolerance = ±(Criteria of tolerance class IT18 in JIS B0401-1998)/2.