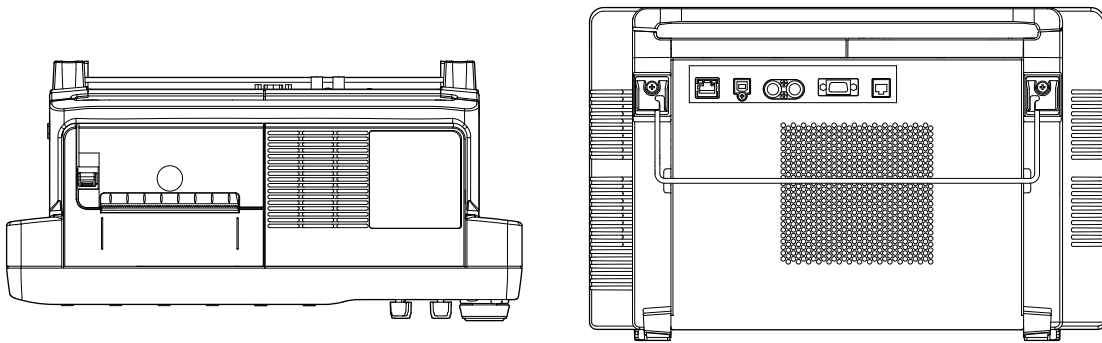


# Drawings

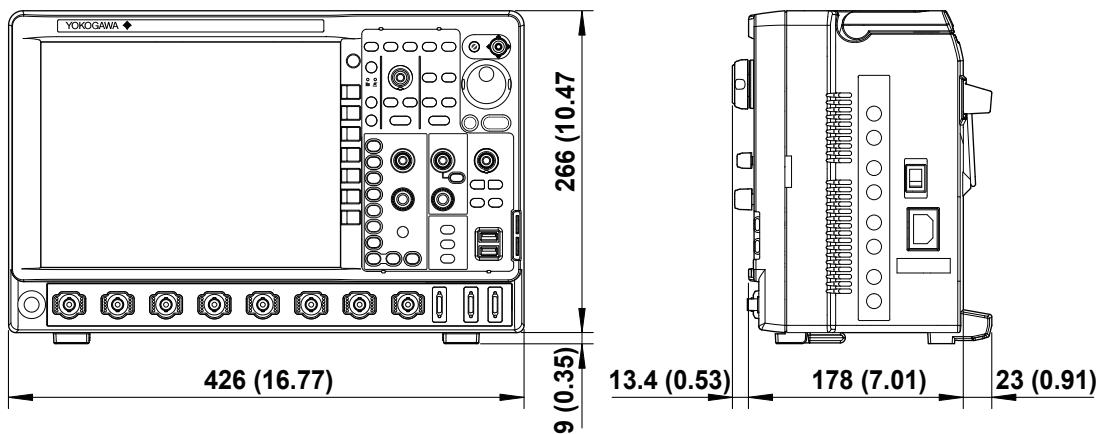
## DLM4038/DLM4058 DLM4000 Mixed Signal Oscilloscope

DLM4000

Unit: mm  
(approx. inch)



**Rear view**



Weight: approx. 6.6 kg  
(excluding options)

If not specified, the tolerance is  $\pm 3\%$ . However, in cases of less than 10 mm, the tolerance is  $\pm 0.3$  mm.