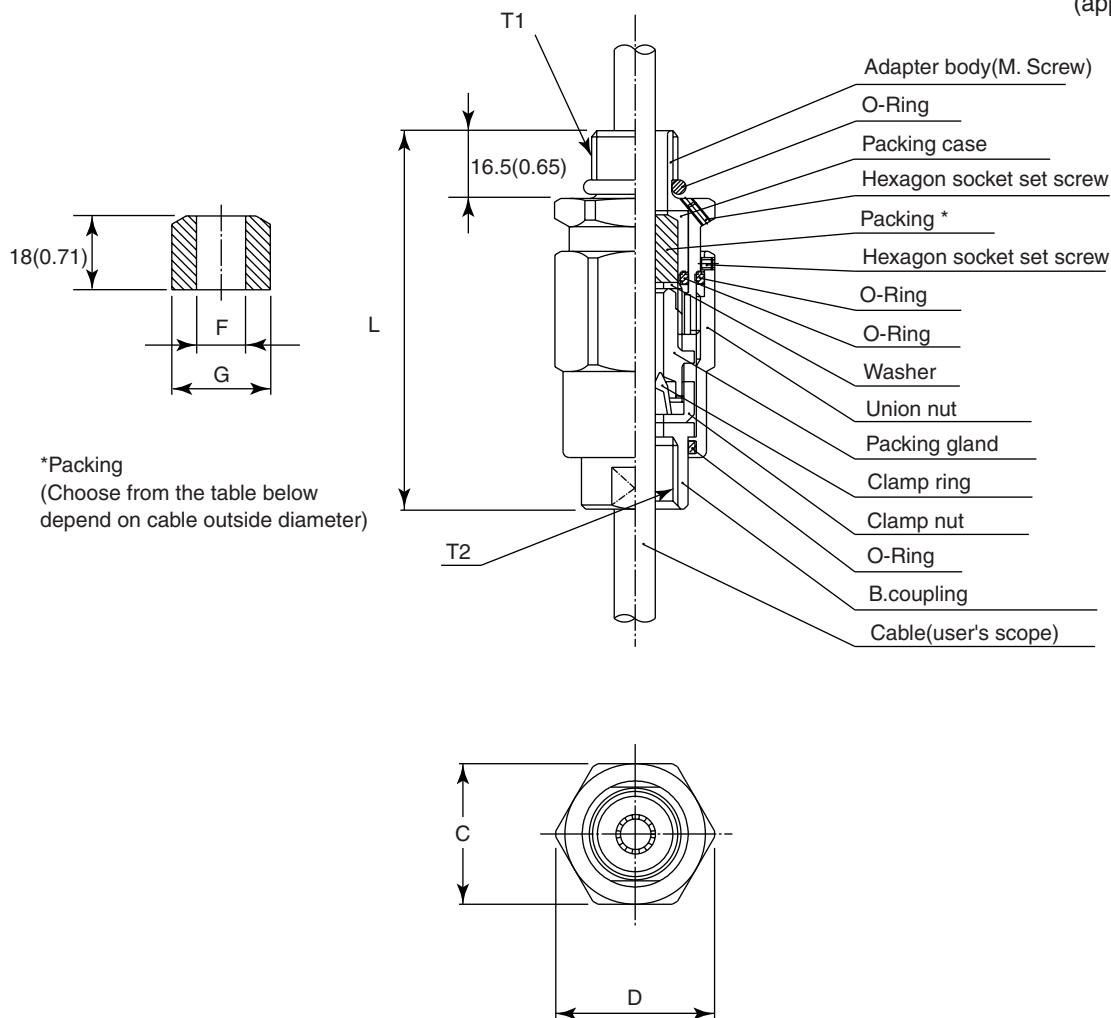


# Drawings

## Optional Code /G11, /G12, /G13, /G14 and /G32 Flameproof Packing Adapter



Unit : mm  
(approx. inch)



Dimension					Cable outer diameter	Packing diameter		Identification mark	Weight kg (lb)
T1	T2	C	D	L		F	G		
G 1/2	G 1/2	35 (1.38)	39 (1.54)	94.5 (3.72)	ø8.0 to ø10.0 (0.31 to 0.39)	ø10.0(0.39)	ø20.0 (0.79)	16 8-10	0.26 (0.57)
					ø10.0 to ø12.0 (0.39 to 0.47)	ø12.0(0.47)		16 10-12	

Unless otherwise specified, difference in the dimensions are specified as : General tolerance = ± (Criteria of tolerance class IT18 in JIS B0401) / 2