

General Specifications

Model VJ77
PC-based Parameters
Setting Tool

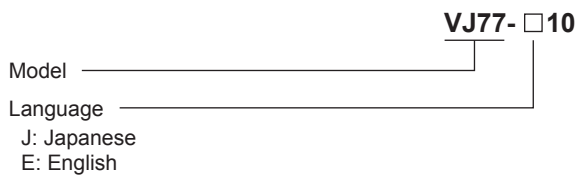
JUXTA

GS 77J01J77-01E

■ General

The VJ77 PC-based Parameters Setting Tool is a software package for setting various parameters and programs of the microcomputer-based JUXTA series signal conditioner and computing unit on a PC.

■ Model and Suffix Codes



■ Items to Specify When Ordering

- Model and suffix codes

■ Function

• Parameter setting

This function enables settings and modification of various parameters of microcomputer-based JUXTA, including input type, input range, output range, and burnout.

• Program setting

This function enables programming of the microcomputer-based JUXTA computing unit (programmable).

• Collective reading & writing data

This function allows the parameters and programs on the microcomputer-based JUXTA to be collectively read and then written to the JUXTA.

• File management

This function allows the programs made with this tool, and the parameters and programs read from the JUXTA to be saved on a PC's hard disk or other media.

• Data printing

This function enables the printing out of programs made with this tool and the reading of parameters and programs from the JUXTA by a printer.

• Monitoring

This function enables the monitoring of inputs to and outputs from the microcomputer-based JUXTA and the results of selfdiagnosis.

• Calibration

This function enables calibration of the microcomputer-based JUXTA's input/outputs.

■ Operating Environment

- OS: Windows XP Professional (32-bit version)
Windows 7 Professional (32-bit/64-bit version)
Windows 8 Pro (32-bit/64-bit version)
- CPU: Pentium 4 series processor
For Windows XP Professional: Equivalent to 2.4 GHz or higher recommended
For Windows 7 Professional or Windows 8 Pro: Equivalent to 3.0 GHz or higher recommended
- Main memory: Windows XP Professional: At least 512 MB recommended
Windows 7 Professional/Windows 8 Pro: At least 2 GB recommended
- Hard disk space: Windows XP Professional, Windows 7 Professional (32-bit): 600 MB (.Net Framework 4) + 10 MB
Windows 7 Professional (64-bit): 1.5 GB (.Net Framework 4) + 10 MB
Windows 8 Pro: 10 MB
- CRT: 1024 × 768 pixels or better, 256 colors or more recommended
- RS-232C communication port: At least 1 channel, PC/AT compatible model: 9-pin D-sub connector
- CD-ROM drive: 1 (required for installation)
- Printer: Required for printing, support for letter or A4 size

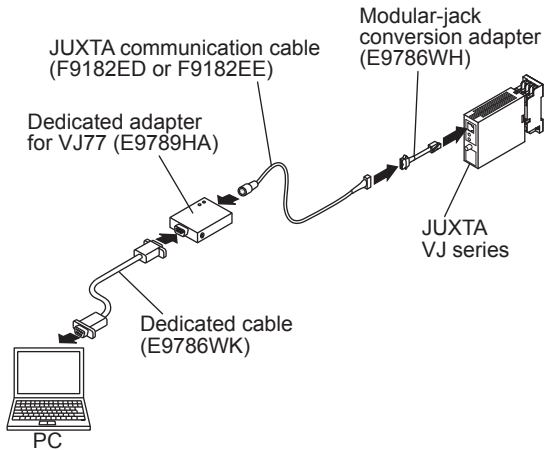
Dedicated adapter:

- Power supply: Supplied from DTR, RTS, DCD, DSR, and CTS pins on the RS-232C communication port.
Specifications of external power source: Should comply with EIAJ RC-5320A
Input ratings: 8V DC/150mA
Insulation resistance: Minimum of 100 M/500 V DC between RS-232C communication port and the JUXTA connection sides
Withstand voltage: 500 V AC/minute between RS-232C communication port and the JUXTA connection sides
Ambient temperature: 0 to 50C
Ambient humidity: 5 to 90% RH (no condensation)
Transportation & storage conditions: -40 to 70C, 5 to 95% RH (no condensation)
Waterproof & dustproof construction: Not applicable

■ EMC Standards

Complies with EN61326.

■ Connection between PC and JUXTA



- Instrument combination when communicating with JUXTA D series**
 PC, dedicated cable (E9786WK), dedicated adapter (E9789HA), and JUXTA communication cable with 5-pin connectors (F9182EE)
- Instrument combination when communicating with JUXTA VJ and M series**
 PC, dedicated cable (E9786WK), dedicated adapter (E9789HA), JUXTA communication cable with 5-pin connectors (F9182EE), and modular-jack conversion adapter (E9786WH)
- Instrument combination when communicating with JUXTA D series**
 PC, dedicated cable (E9786WK), dedicated adapter (E9789HA), and JUXTA communication cable with 3-pin connectors (F9182ED)

■ Package contents

- Media:
- VJ77 Parameter Setting Software CD: 1
 - Dedicated adapter (E9789HA): 1
 - Dedicated cable (9-pin D-sub female (both ends) straight: E9786WK): 1
 - JUXTA communication cable with 3-pin connectors (F9182ED): 1
 - JUXTA communication cable with 5-pin connectors (F9182EE): 1
 - Modular jack conversion adapter (E9786WH): 1

Trademarks

- MS-Windows is a registered trademark of Microsoft Corporation, U.S.A.
- Other product and company names appearing in this document are trademarks or registered trademarks of their respective holders.

■ External Dimensions of Dedicated Adapter

Unit: mm

