

# General Specifications

MODEL MG1  
PT Transmitter

JUXTA

This plug-in type Model MG1 PT Transmitter receives AC voltage signal of PT output, etc. and converts it into isolated DC current or voltage signal.

- AC/DC conversion is r.m.s.
- 2000V AC high voltage proof is available upon request.

Input/Output Specifications	
Input signal	0~110V AC or 0~150V AC voltage signal
Input loss	Less than 0.5VA
Input frequency	40Hz~10kHz
Permissible over input	120% (continuous), 200% (during 1 minute)
Output signal	DC current or voltage signal
Permissible load resistance :	
Output range	Output Range
4~20mA DC : Less than 750Ω	0~ 10mV DC : More than 250kΩ
2~10mA DC : " 1500Ω	0~100mV DC : " 250kΩ
1~ 5mA DC : " 3000Ω	0~ 1V DC : " 2kΩ
0~20mA DC : " 750Ω	0~ 10V DC : " 10kΩ
0~16mA DC : " 900Ω	0~ 5V DC : " 2kΩ
0~10mA DC : " 1500Ω	1~ 5V DC : " 2kΩ
0~ 1mA DC : " 15kΩ	-10~+10V DC : " 10kΩ
Zero point adjustment range	±5% of span
Span adjustment range	±5% of span
Standard Performance	
Accuracy rating	Within ±0.5% of span
Response speed	250ms 63% response (10~90%)
Isolation resistance	100MΩ (at 500V DC) between input~output~power supply~ground
Voltage withstand	2000V/AC/1 minute between input~output 1500V AC/1 minute between input~output~power supply~ground (except above)
Temperature range	0~50°C
Humidity range	5~90%RH (no condensation)
Power supply voltage	85~264V AC 47~63Hz or 12~48V DC
Effect of power supply voltage fluctuation	Less than ±0.1% of span for 85~264V AC or 12~48V DC
Effect of change in ambient temperature	Less than ±0.2% of span for 10°C change
Current dissipation	24V DC 120mA
Power dissipation	100V AC 6.5VA, 200V AC 10.5VA
Mounting, Shape and Accessories	
Material	Case ABS plastic
Mounting method	Wall or DIN rail mounting (More than 5mm interval is required for access mounting)
Connecting method	M3.5 screw terminal
External dimension	85x50x123mm (HxWxD) (including socket)
Weight	Body: approx. 250g, Socket: approx. 60g
Accessories	Spacer ..... 1 (Use for DIN rail mounting)

MODEL \_\_\_\_\_ MG1-□□-□\*A

INPUT \_\_\_\_\_

1: 0~110A AC  
2: 0~150A AC  
0: CUSTOM ORDER (AC Voltage Signal)  
Refer Table 1

OUTPUT \_\_\_\_\_

A: 4~ 20mA DC	1: 0~ 10mV DC
B: 2~ 10mA DC	2: 0~ 100mV DC
C: 1~ 5mA DC	3: 0~ 1V DC
D: 0~ 20mA DC	4: 0~ 10V DC
E: 0~ 16mA DC	5: 0~ 5V DC
F: 0~ 10mA DC	6: 1~ 5V DC
G: 0~ 1mA DC	7: -10~ +10V DC
Z: (CUSTOM ORDER)	0: (CUSTOM ORDER)
Current Signal	Voltage Signal
Refer Table 1	Refer Table 1

POWER SUPPLY \_\_\_\_\_

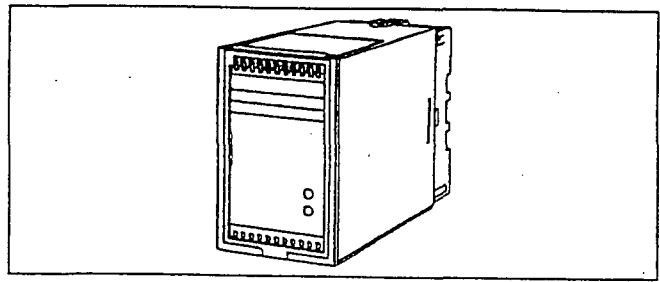
1: 12~48V DC  
2: 85~264V AC

ORDERING INFORMATION  
● Model Code : (Example) MG1-1A-2\*A

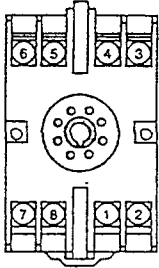
CUSTOM ORDER SPECIFICATIONS

Table 1 Manufacturable Range

	Current Signal	Voltage Signal
Input Range	—————	0~300V AC
Span	—————	30~300V AC
Zero Elevation	—————	0% only
Output range	0~24mA DC	-10~+10V DC
Span	1~24mA DC	10mV~20V DC
Zero Elevation	0~200%	-100~+200%

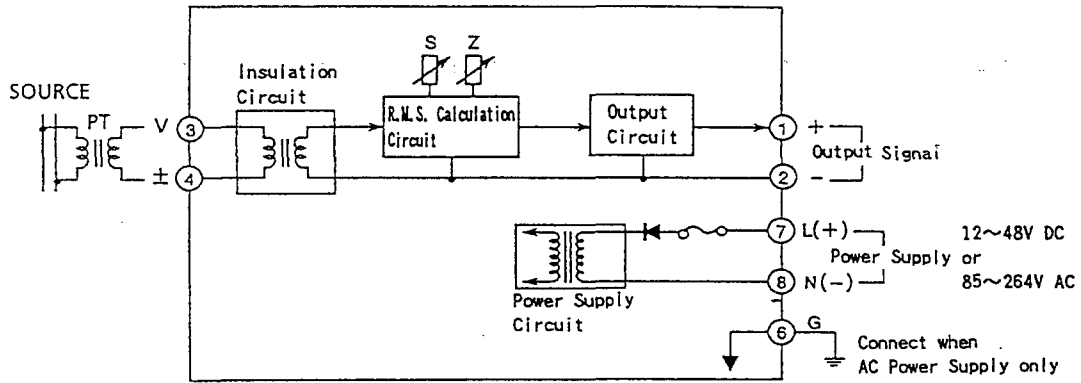


TERMINAL ARRANGEMENT

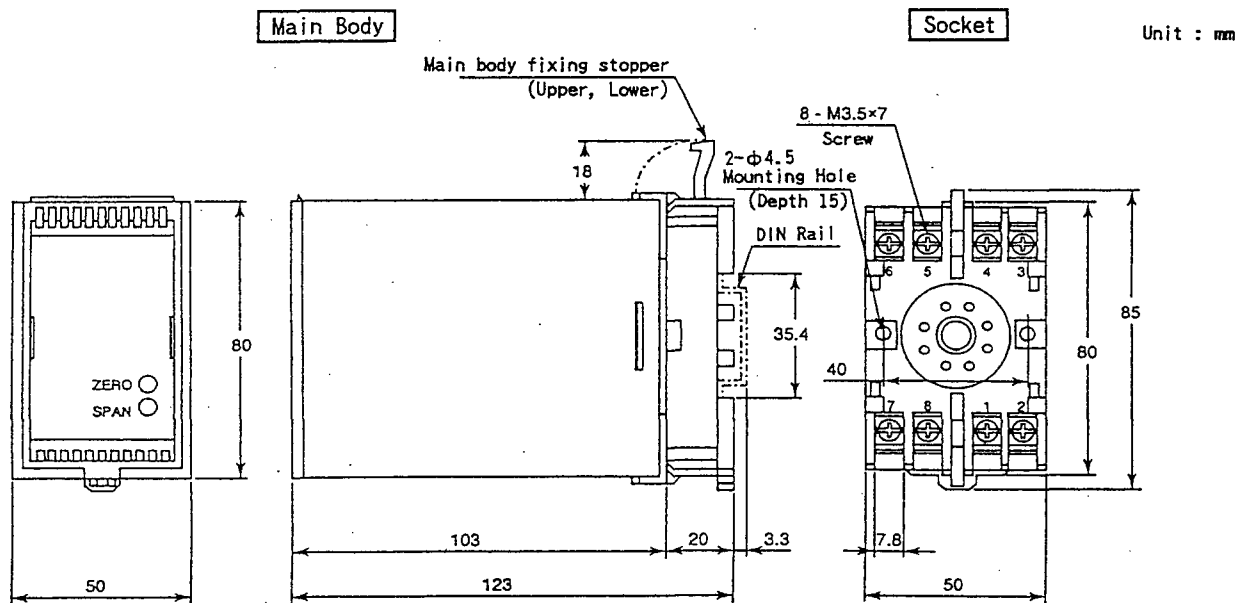


1	OUTPUT (+)
2	OUTPUT (-)
3	INPUT (V)
4	INPUT (±)
5	
6	GND (G)
7	SUPPLY (L+)
8	SUPPLY (N-)

BLOCK DIAGRAM



EXTERNAL DIMENSION



Subject to change without notice for grade up quality and performance