

General Specifications

DY/Z
 Model DY Vortex Flowmeter
 ANSI Class 1500 Flange Type

digitalYEWFLOW

GS 01F06A00-50E

■ GENERAL

This General Specifications (GS) sheet is for the special model DY/Z for high pressure fluid measurement.

Please use this GS with our standard GS 01F06A00-01E and GS01F06F01-01E. This GS mainly shows the different specifications from the standard ones.

■ FEATURES

- Available sizes : 25mm to 200mm (Inner diameter become one size smaller at Sch160.)
- Accuracy: Refer to one smaller size diameter in the standard GS.
- Applicable to high pressure fluid.
- Highly-reliable body material of bar or forging.

■ STANDARD SPECIFICATIONS

Normal Operating Condition

Process Temperature Range:
 -29 to 250°C

Process Pressure Limit:
 -0.1MPa to Flange rating.

Note: Maximum working pressure value of DY040 differs by shedder bar material.

Wetted Part Material

Body: ASTM F316, JIS SUS F316, JIS SUS316

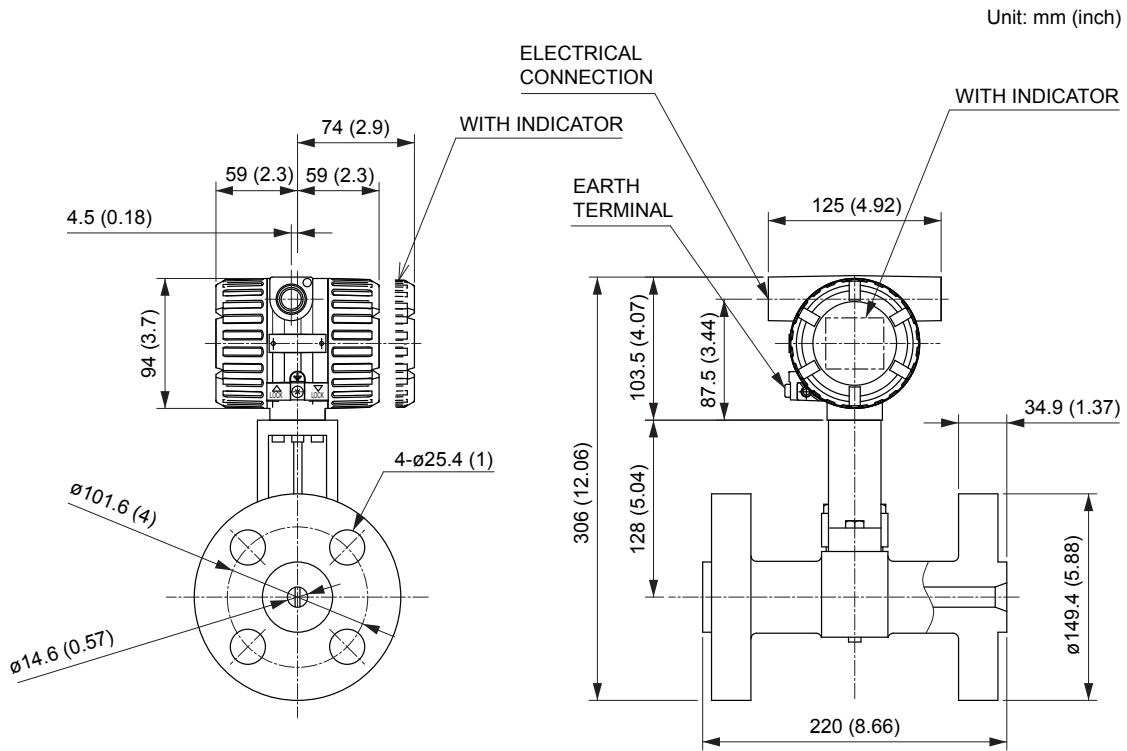
■ MODEL AND SUFFIX CODE

Model	Suffix Codes	Description
DY025 DY040 DY050 DY080 DY100 DY150 DY200	Size 25 mm (1inch) Size 40 mm (1-1/2 inch) Size 50 mm (2 inch) Size 80 mm (3 inch) Size 100 mm (4 inch) Size 150 mm (6 inch) Size 200 mm (8 inch)
Output Signal/ Communication	-D -E -F -N	4 to 20 mA DC, Pulse, BRAIN Communication 4 to 20 mA DC, Pulse, HART Communication Digital Communication (FOUNDATION Fieldbus protocol) Remote type detector
Body Material	Z	ASTM F316, JIS SUS F316 or JIS SUS316
Shedder bar Material	L X	Duplex Stainless Steel Others
Process Connection	BA6 CA6	ANSI Class 1500 Flange (RF) ANSI Class 1500 Flange (RJ)
Electrical Connection	-0 -2 -4	JIS G 1/2 Female ANSI 1/2 NPT Female ISO M20x1.5 Female
Indicator	D N	With Indicator None Indicator, Remote type detector
Options	/□	Refer to the Standard GS.

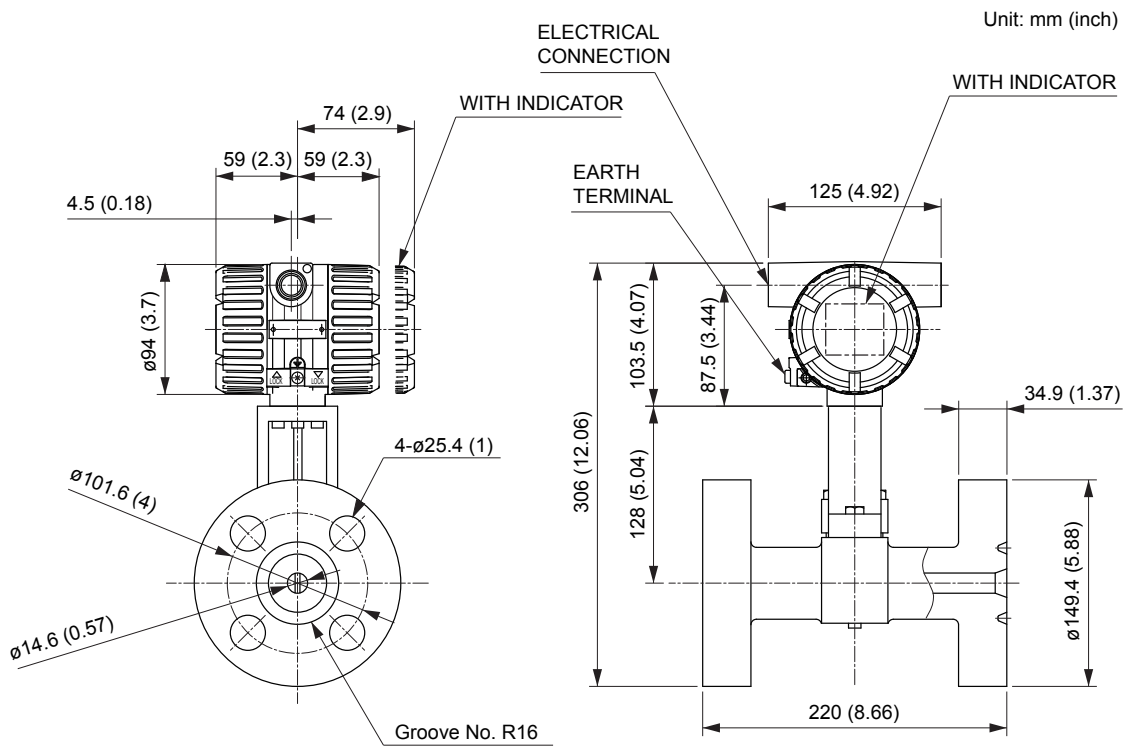
EXTERNAL DIMENSIONS

- The dimensions except described below conform to the general specifications.
- The internal dimension becomes one size smaller.
- The dimension of process pipe schedule becomes to Sch160 unless specified at ordering.
- Figure and dimension vary by options.

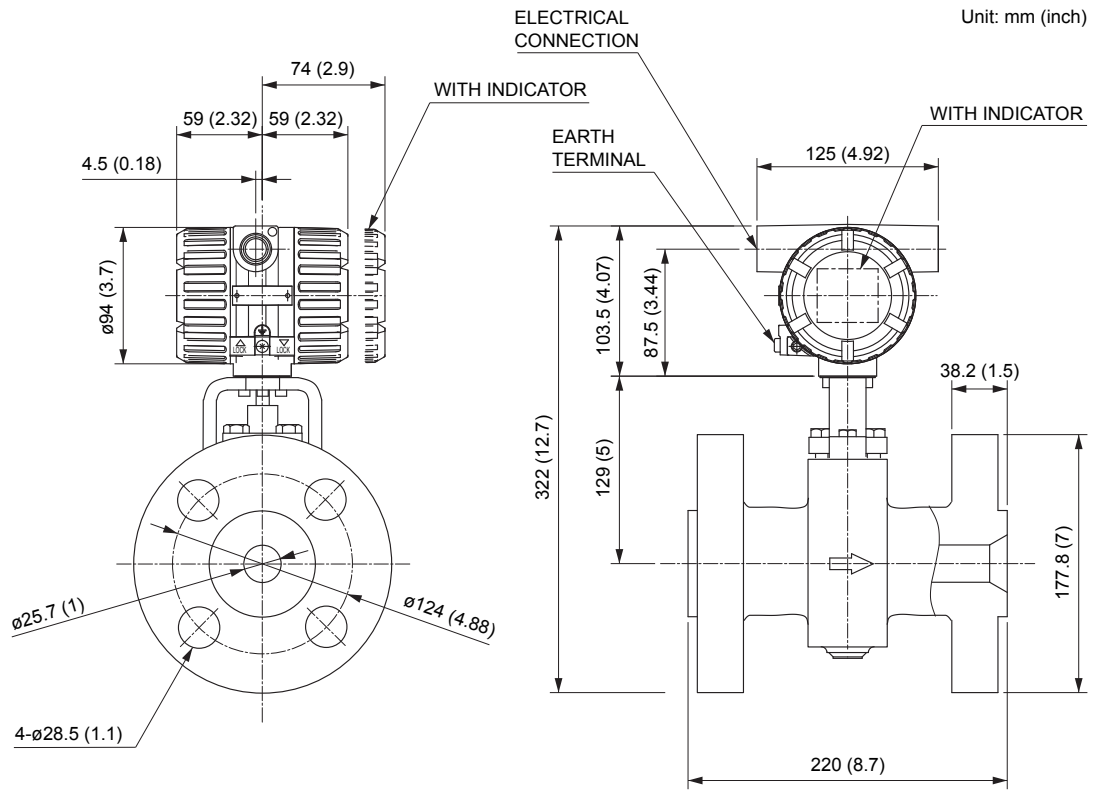
DY025 ANSI Class1500 RF (for Sch160 pipe)



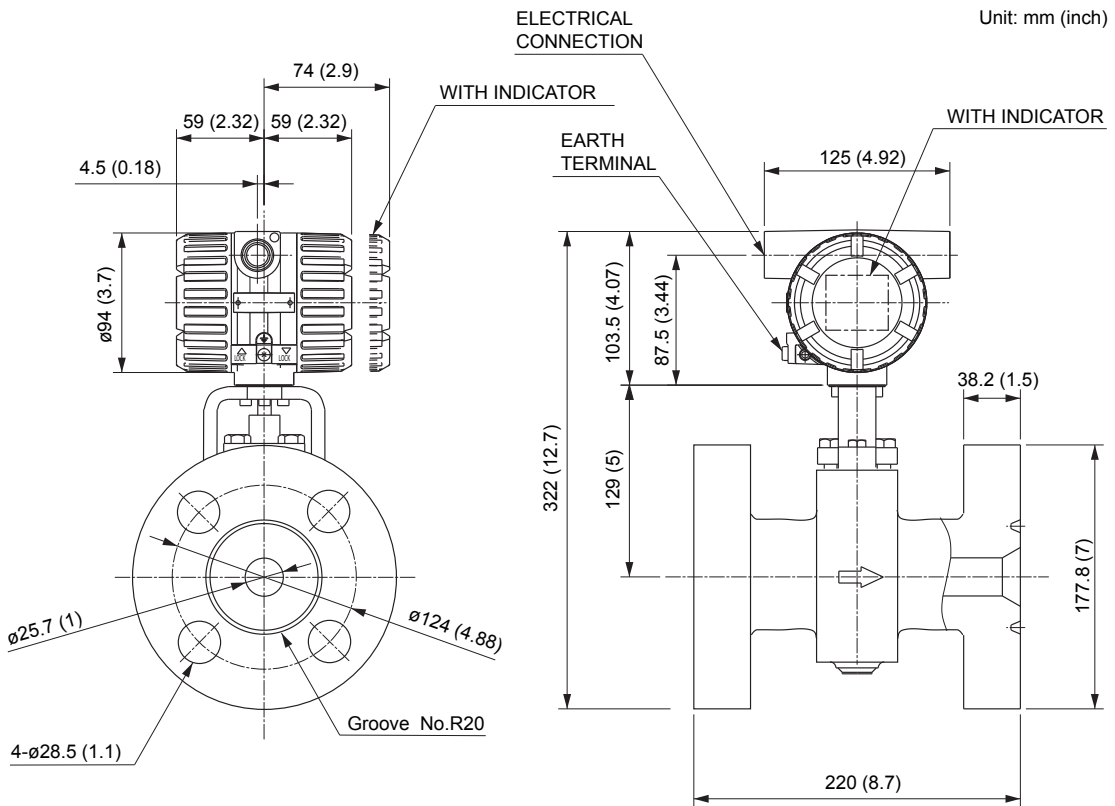
DY025 ANSI Class1500 RJ



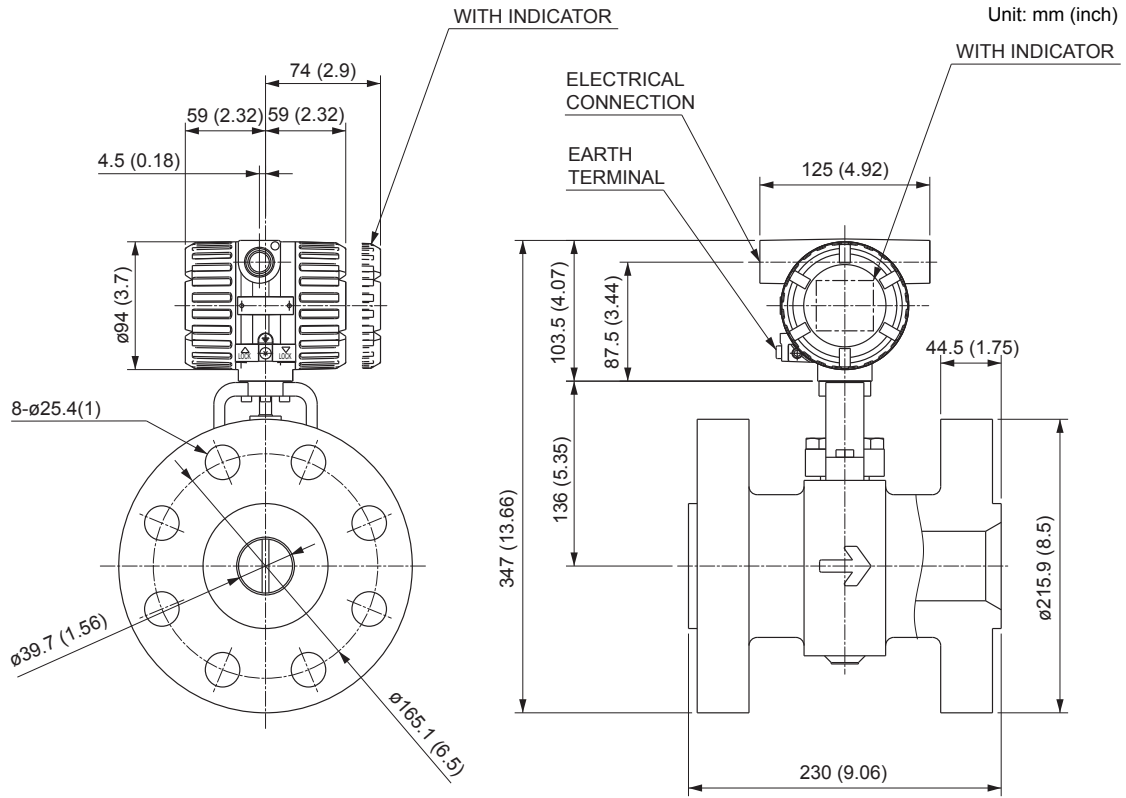
■ DY040 ANSI Class150 RF



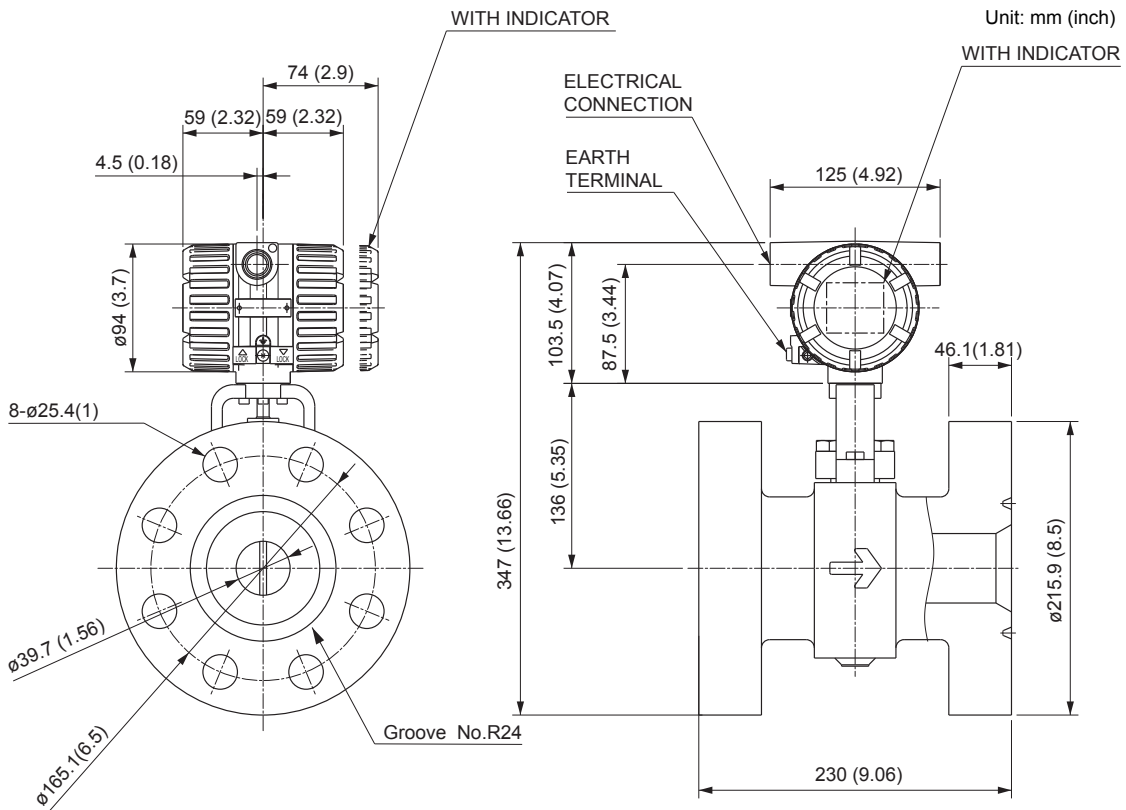
■ DY040 ANSI Class150 RJ



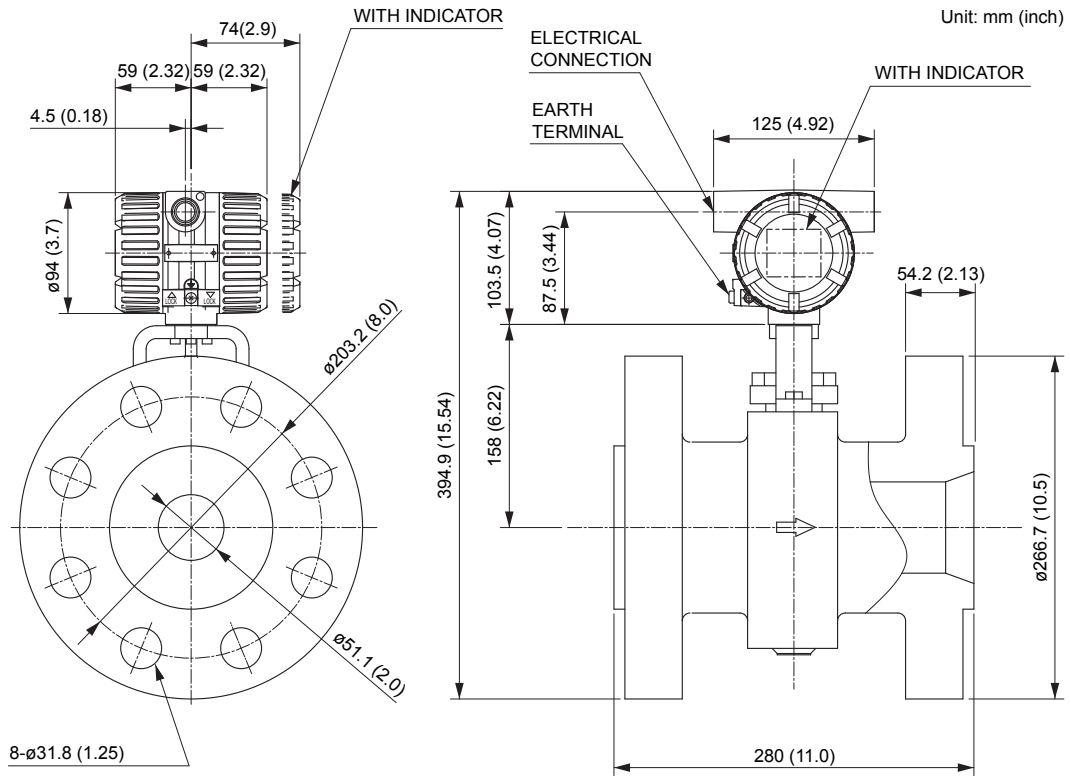
■ DY050 ANSI Class1500 RF Flange



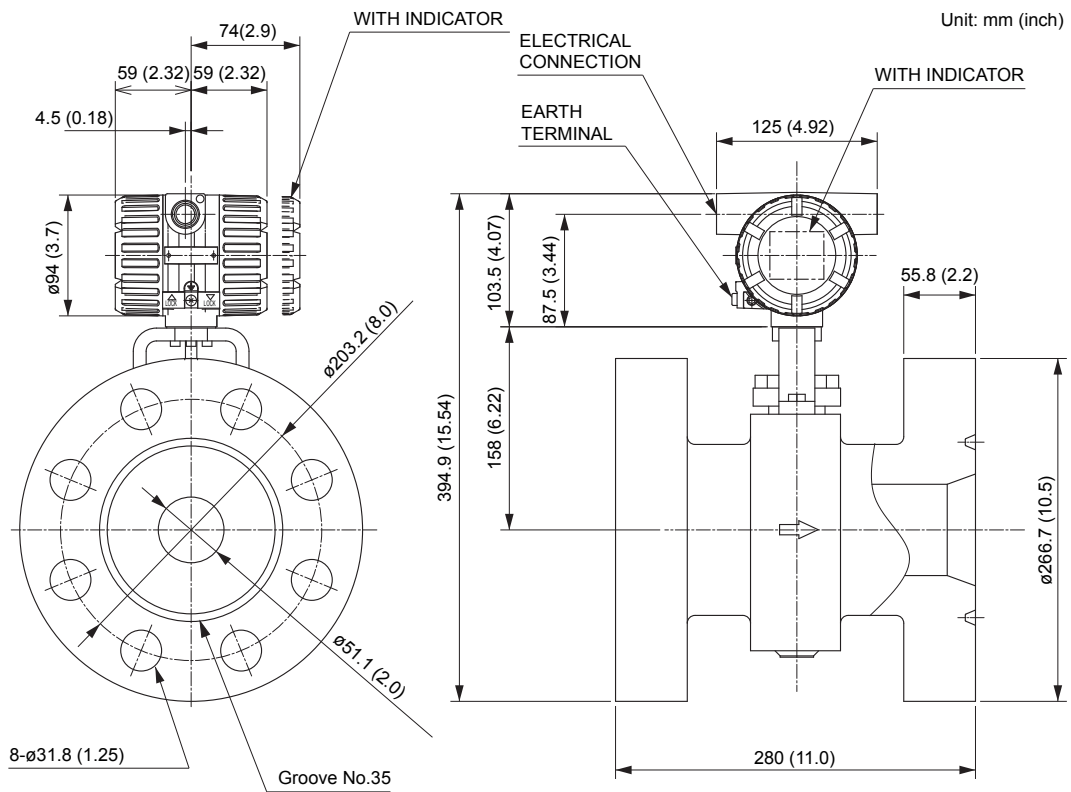
■ DY050 ANSI Class1500 RJ



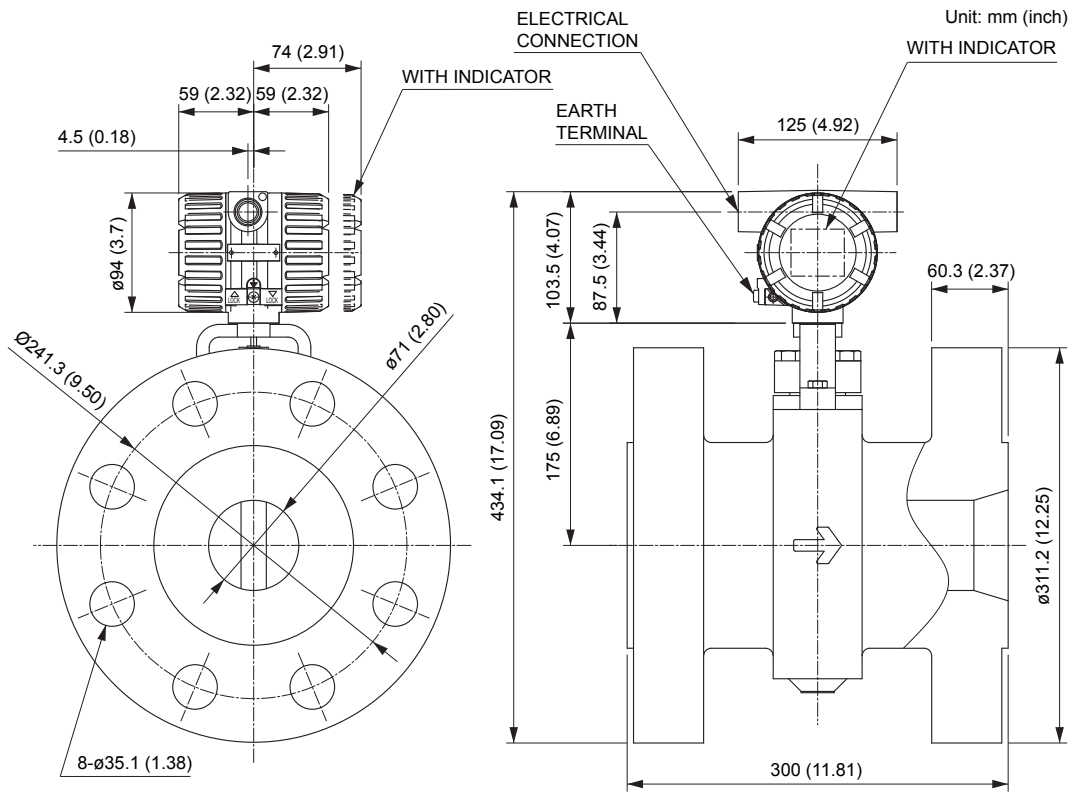
■ DY080 ANSI Class1500 RF Flange



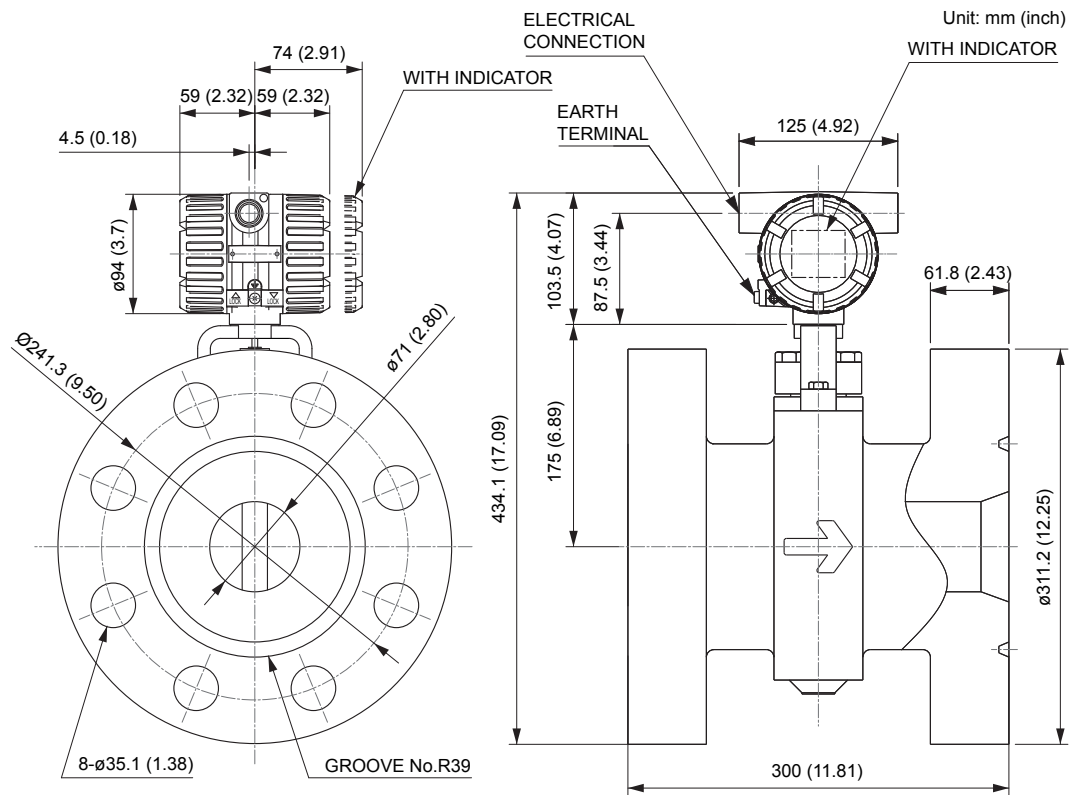
■ DY080 ANSI Class1500 RJ



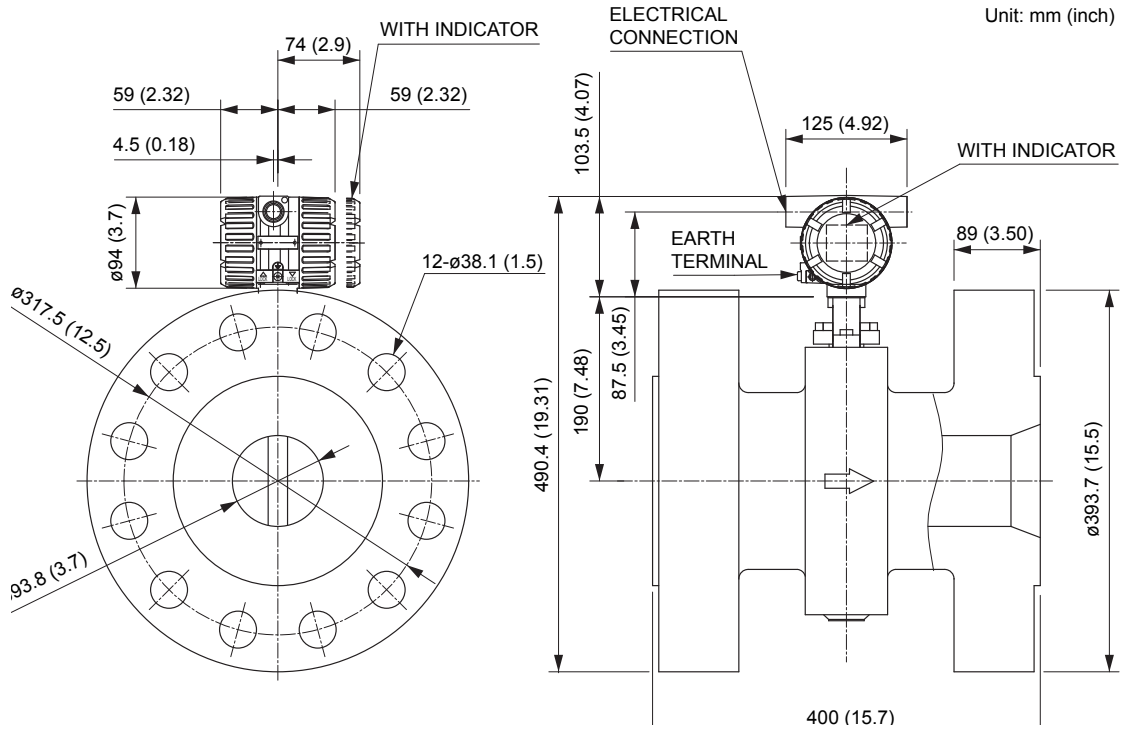
■ DY100 ANSI Class150 RF



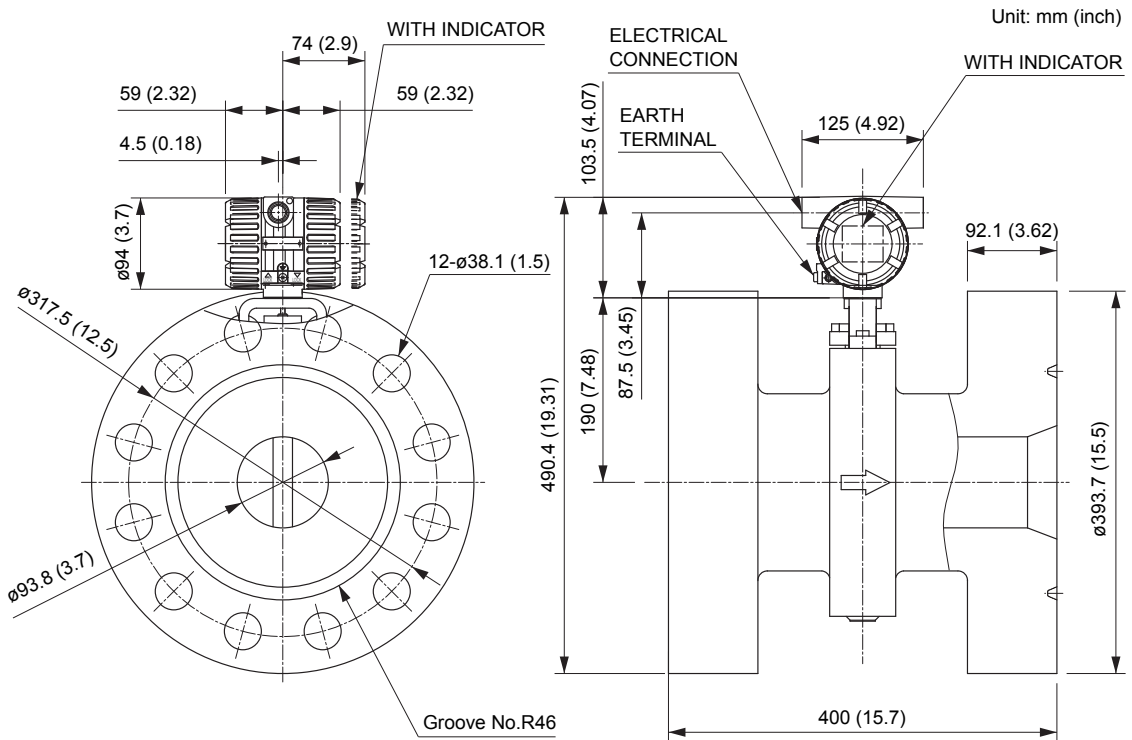
■ DY100 ANSI Class150 RJ



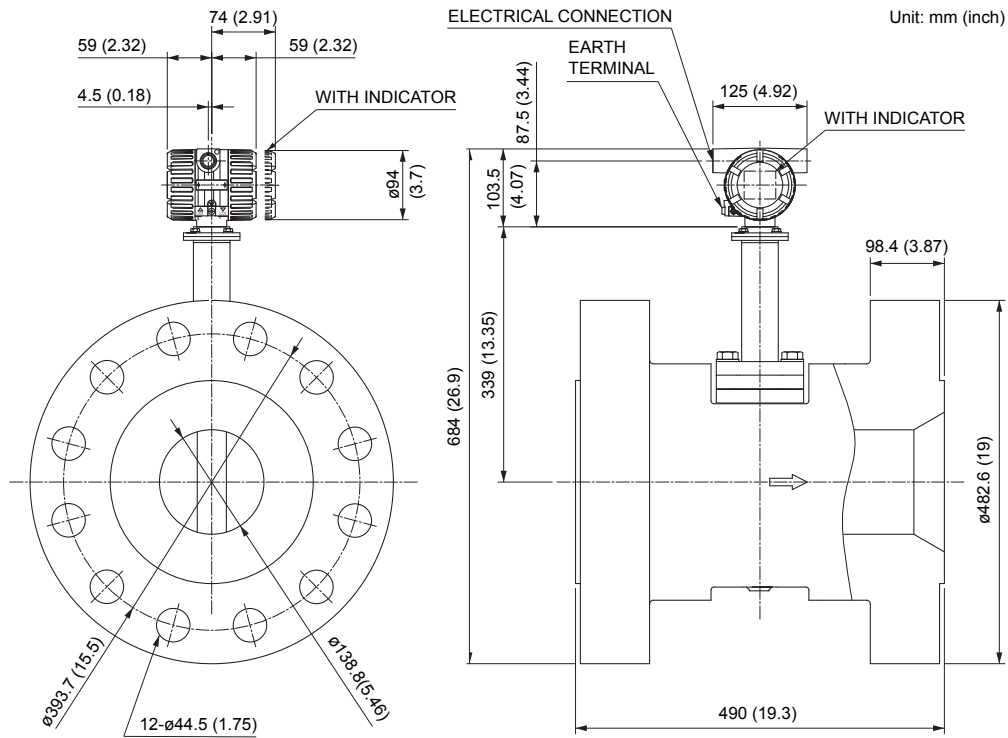
■ DY150 ANSI Class1500 RF



■ DY150 ANSI Class1500 RJ



■ DY200 ANSI Class150 RF



■ DY200 ANSI Class150 RJ

