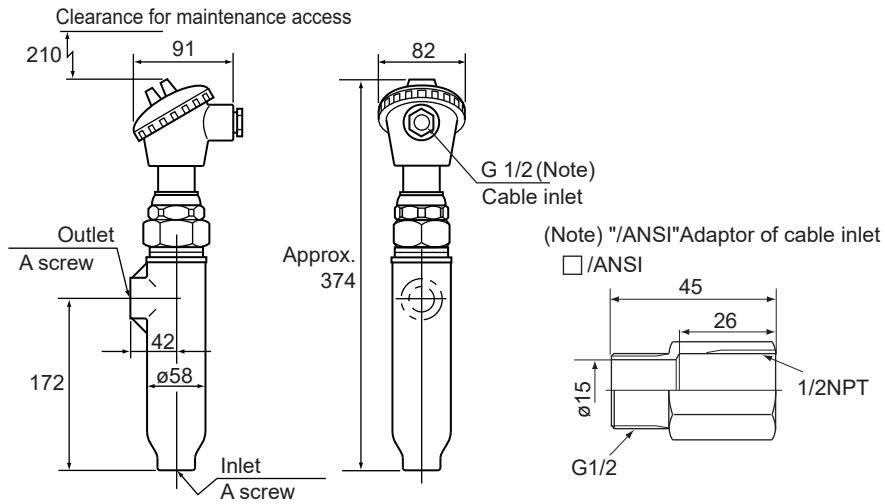


# Drawings

## SC210G-□-302, SC210G-□-303 Flow-through type Conductivity Detector for Low/Medium Range (Screw connection, Chamber Material: SCS14)

Unit: mm



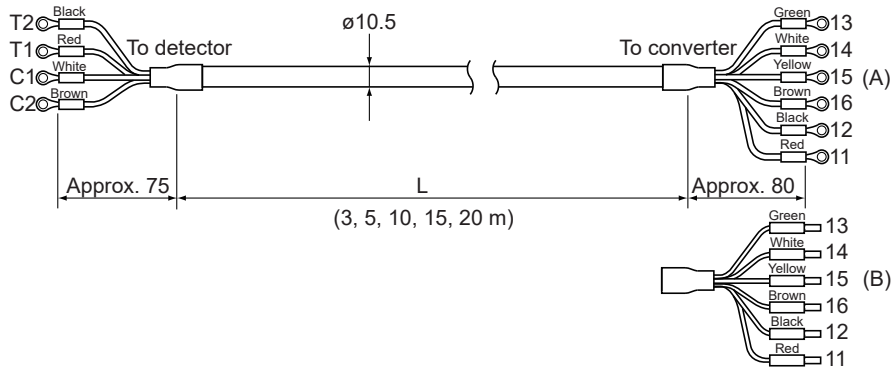
Model and Code	A
SC210G - A - 302	Rc 1/2
SC210G - B - 302	
SC210G - V - 302	
SC210G - W - 302	
SC210G - A - 303	1/2 NPT
SC210G - B - 303	
SC210G - V - 303	
SC210G - W - 303	

Weight: Approx. 3.7 kg

Unless otherwise specified, differences in the dimensions are specified as: General tolerance =  $\pm$ (Criteria of tolerance class IT18 in JIS B0401-1998)/2.

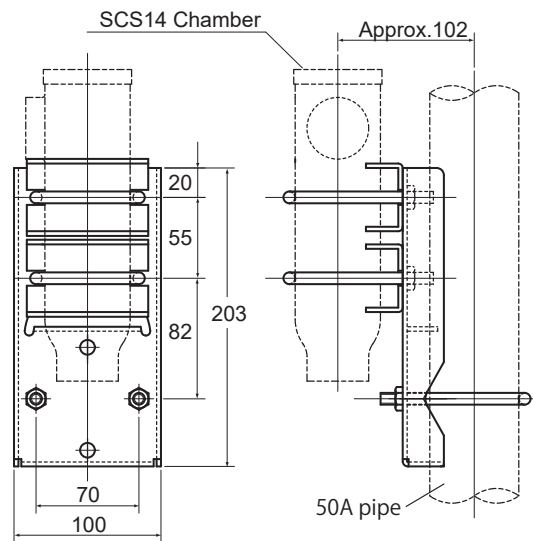
● SC210G Detector - converter connection cable (accessory)

Unit: mm



Model and Code	L	Weight (kg)	Terminal
SC210G - □ - 30□ - L□□□ - 03	Approx. 3000	Approx. 0.9	(A) M4 Ring terminal
SC210G - $\frac{A}{B}$ - 30□ - L□□□ - Y1			(A) M3 Ring terminal
SC210G - $\frac{A}{B}$ - 30□ - L□□□ - AA			(B) Pin terminal
SC210G - □ - 30□ - L□□□ - 05	Approx. 5000	Approx. 1.5	(A) M4 Ring terminal
SC210G - $\frac{A}{B}$ - 30□ - L□□□ - Y2			(A) M3 Ring terminal
SC210G - $\frac{A}{B}$ - 30□ - L□□□ - BB			(B) Pin terminal
SC210G - □ - 30□ - L□□□ - 10	Approx. 10000	Approx. 3.0	(A) M4 Ring terminal
SC210G - $\frac{A}{B}$ - 30□ - L□□□ - Y3			(A) M3 Ring terminal
SC210G - $\frac{A}{B}$ - 30□ - L□□□ - CC			(B) Pin terminal
SC210G - □ - 30□ - L□□□ - 15	Approx. 15000	Approx. 4.5	(A) M4 Ring terminal
SC210G - $\frac{A}{B}$ - 30□ - L□□□ - Y4			(A) M3 Ring terminal
SC210G - $\frac{A}{B}$ - 30□ - L□□□ - DD			(B) Pin terminal
SC210G - □ - 30□ - L□□□ - 20	Approx. 20000	Approx. 6.0	(A) M4 Ring terminal
SC210G - $\frac{A}{B}$ - 30□ - L□□□ - Y5			(A) M3 Ring terminal
SC210G - $\frac{A}{B}$ - 30□ - L□□□ - EE			(B) Pin terminal

□ Mounting hardware (Option code : /SS)



Weight: Approx. 1.9 kg

Unless otherwise specified, differences in the dimensions are specified as: General tolerance = ±(Criteria of tolerance class IT18 in JIS B0401-1998)/2.

SD 12D08F00-01E 2/2

1st Edition: Sep. 1995 (YK)  
9th Edition: July 2019 (YK)