

The screwdriver provided with the EZ-SCREEN LP is intended for access to the DIP switches and for preassembly of the mounting brackets. Final assembly (tightening) of the mounting bracket should be accomplished with a #1 Phillips screwdriver or 3/16" / 5 mm "thin-walled" nut driver to achieve the listed torque specifications.

Sensors may be mounted with side-mount brackets, end-mount brackets, or a combination of both.

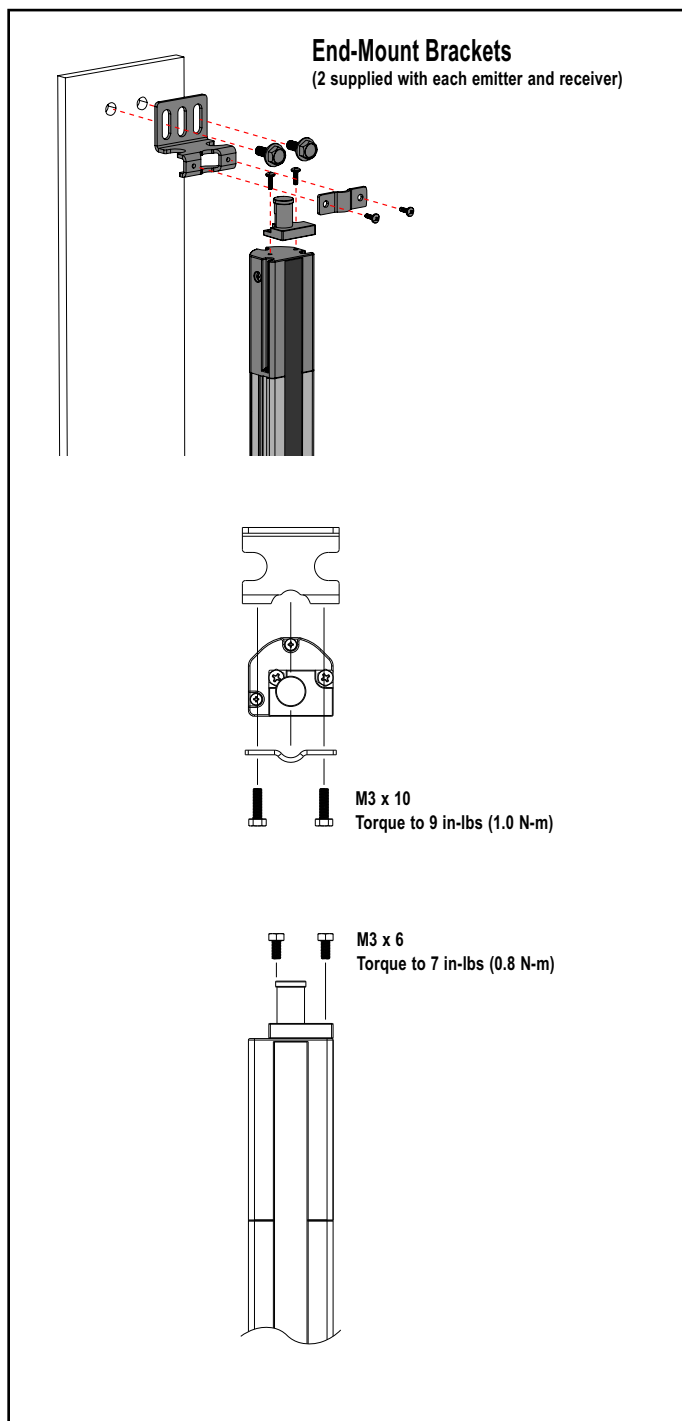


Figure 1. End-mount hardware attachment

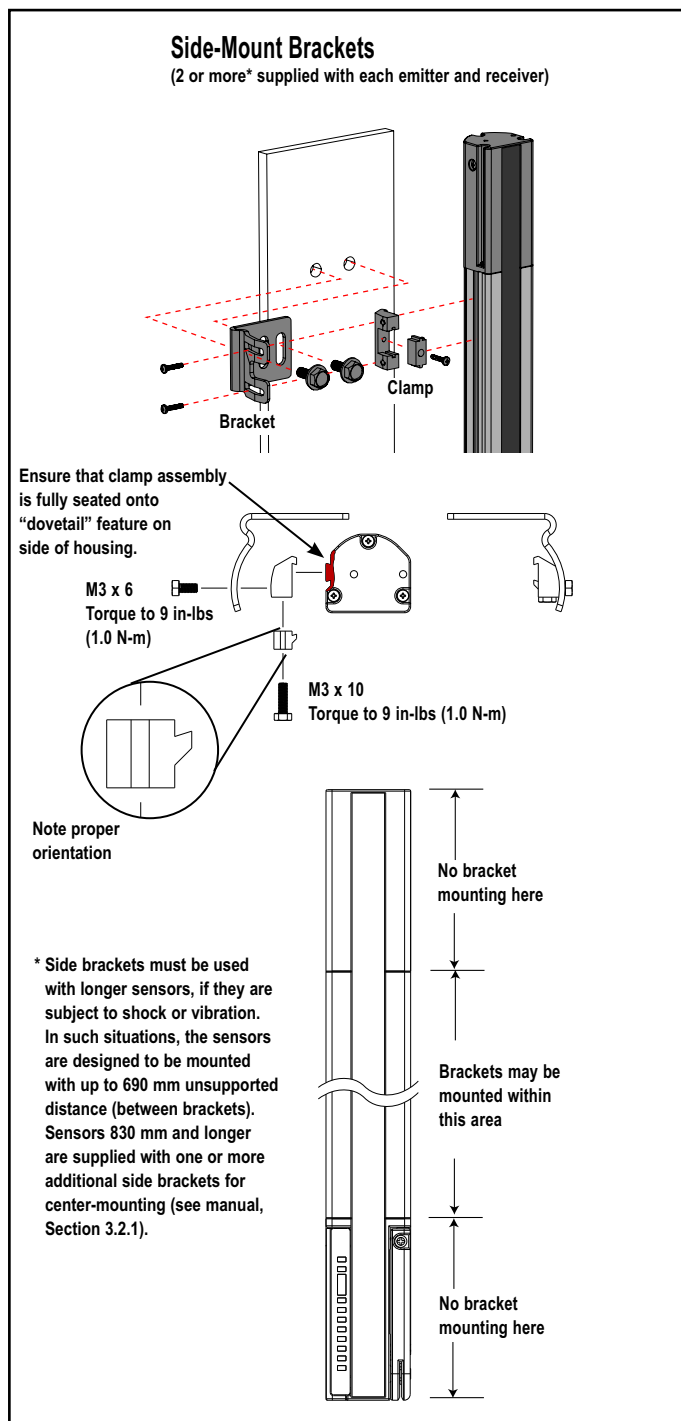


Figure 2. Side-mount hardware attachment