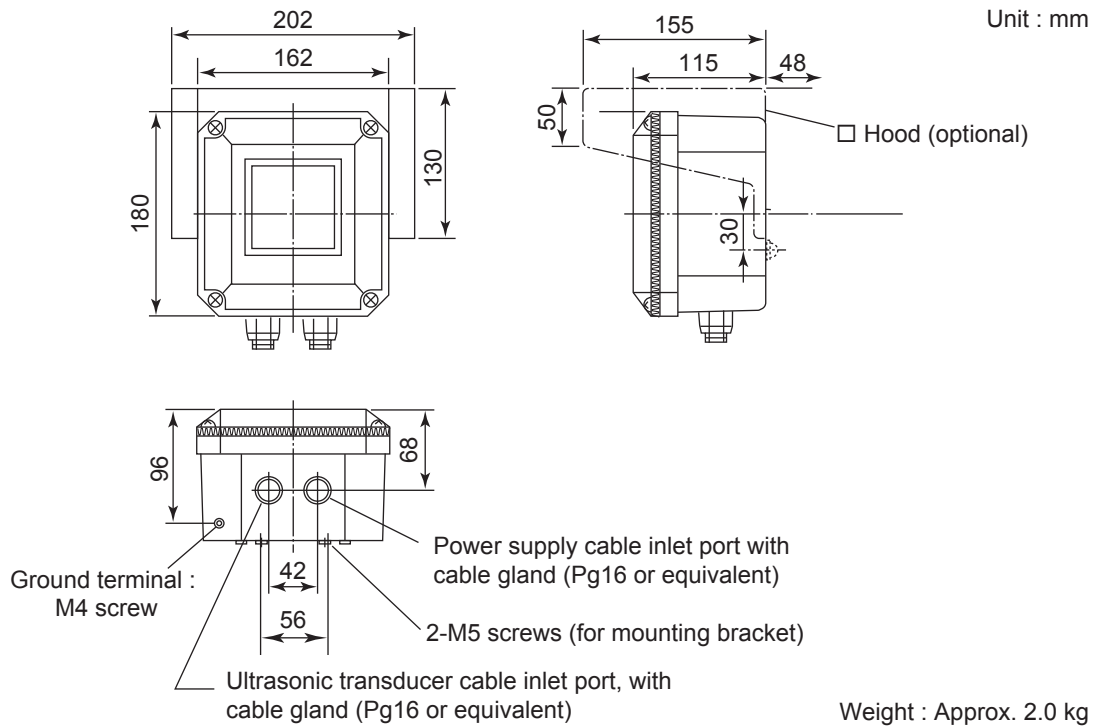


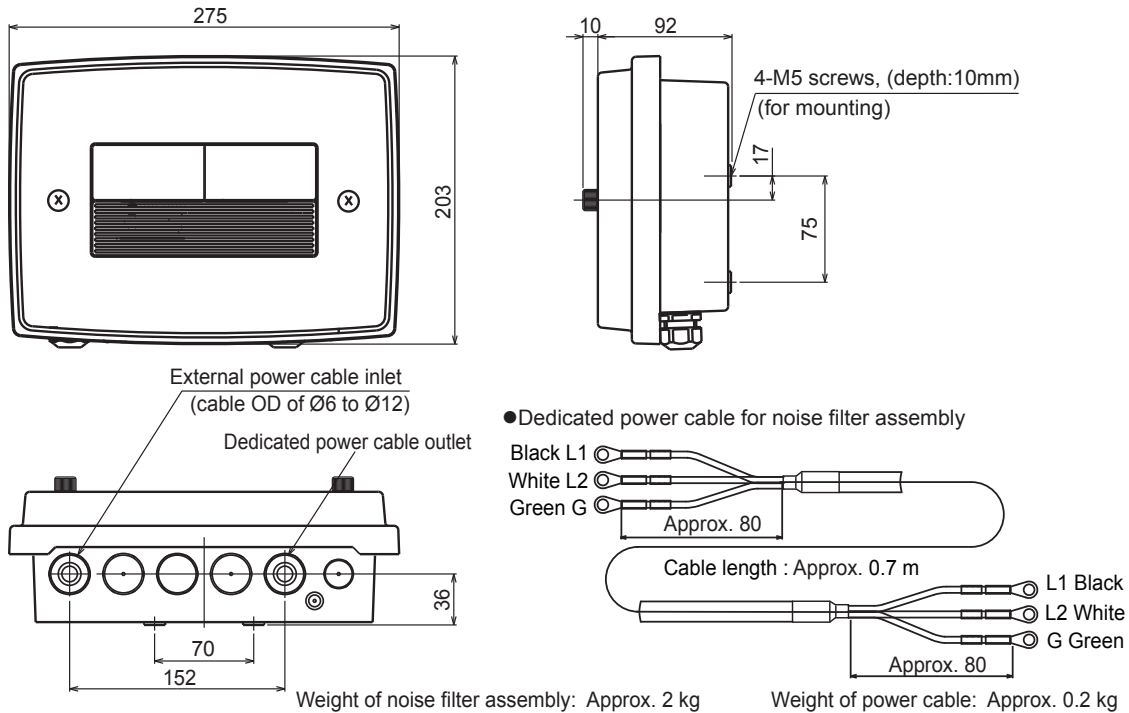
Drawings

Model TUS400G-NN-RC,
TUS400G-NN-KC
Ultrasonic Oscillator

EXA TB



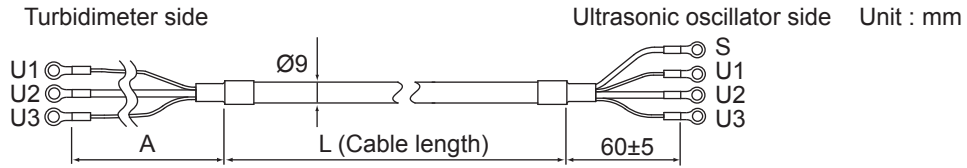
Noise filter assembly



Unless otherwise specified, differences in the dimensions are specified as: General tolerance = ±(Criteria of tolerance class IT18 in JIS B0401-1998)/2.

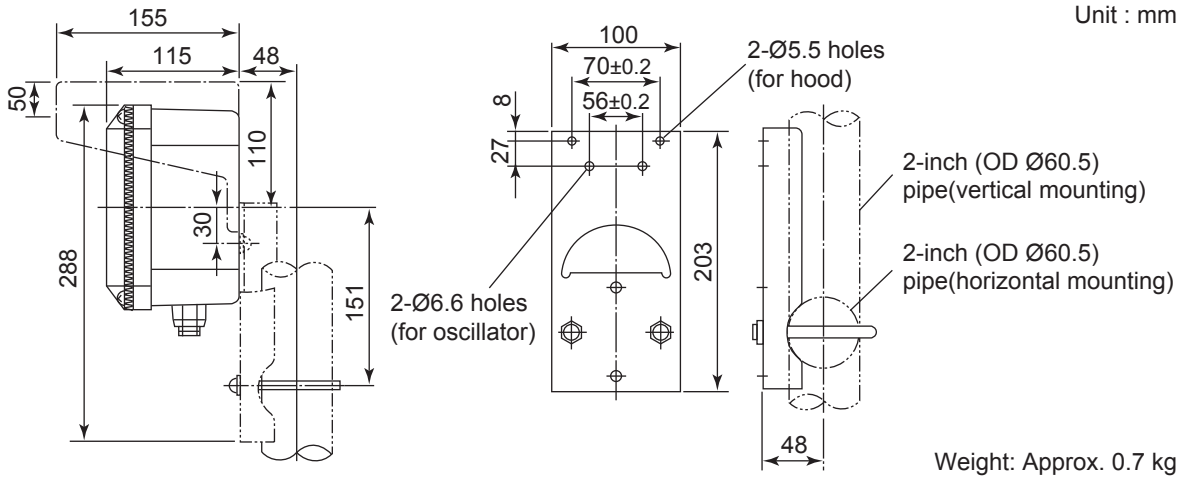
Ultrasonic Vibrator Connecting Cable

(Note) Not attached when suffix code “-00” is specified.

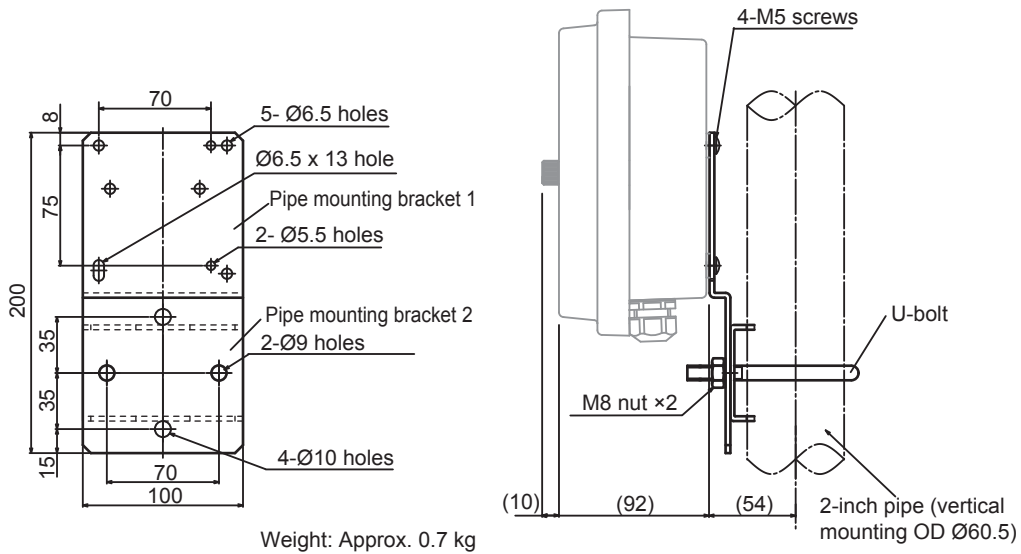


Model Code	L (Approx.)	A (Approx.)	Combination device
TUS400G - NN - NN - □ -L1 - □	1 m	180	TB750G or TB700G
TUS400G - NN - NN - □ -L2 - □	5 m		
TUS400G - NN - NN - □ -L3 - □	10 m		
TUS400G - NN - NN - □ -L4 - □	15 m		
TUS400G - NN - NN - □ -05 - □	5 m	80	8562
TUS400G - NN - NN - □ -10 - □	10 m		
TUS400G - NN - NN - □ -15 - □	15 m		

□ Pipe Mounting Bracket (option code : /PS)

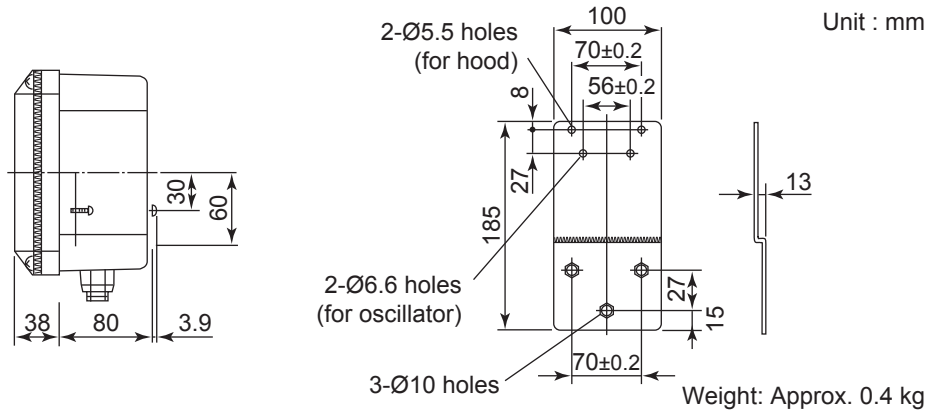


Noize filter assembly

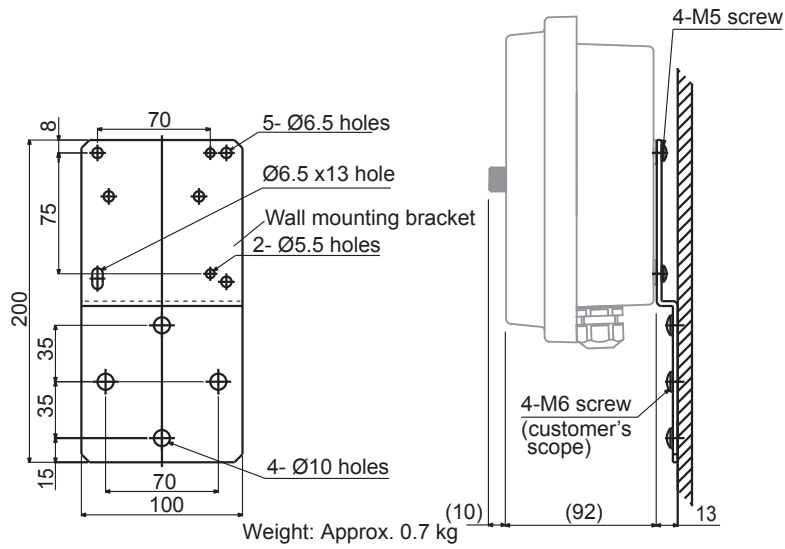


Unless otherwise specified, differences in the dimensions are specified as: General tolerance = ±(Criteria of tolerance class IT18 in JIS B0401-1998)/2.

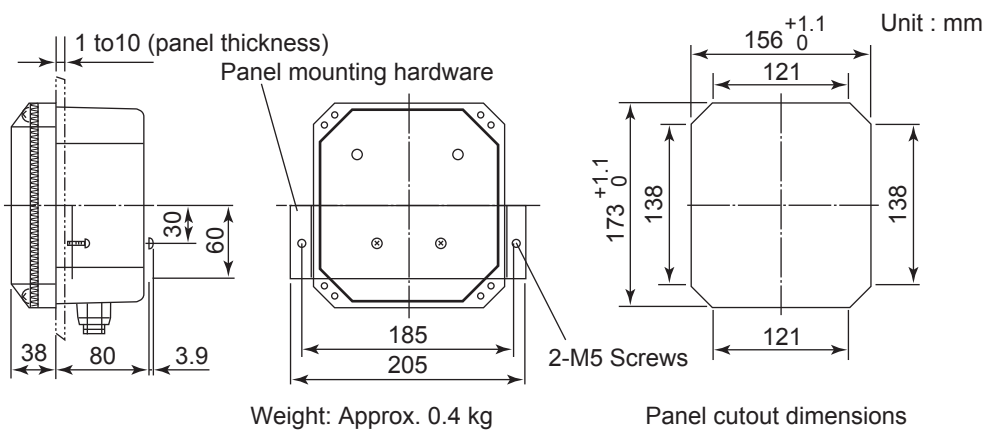
□ Wall Mounting Bracket (option code : /W)



Noize filter assembly



□ Panel Mounting Bracket (option code : /PA)

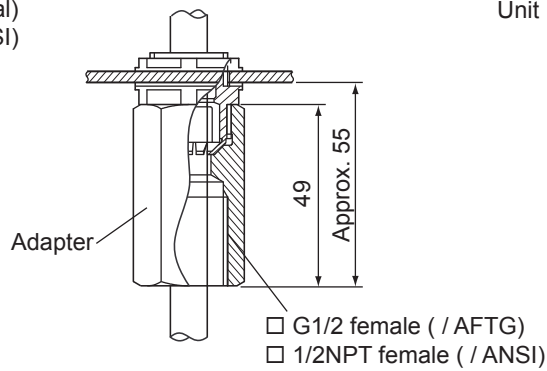


Unless otherwise specified, differences in the dimensions are specified as: General tolerance = \pm (Criteria of tolerance class IT18 in JIS B0401-1998)/2.

□ Conduit Adapter (Option code: /AWTB, /ANSI)

ork (optional)
TG, / ANSI)

Unit : mm



■ External Wiring Connection Terminals and Diagram

