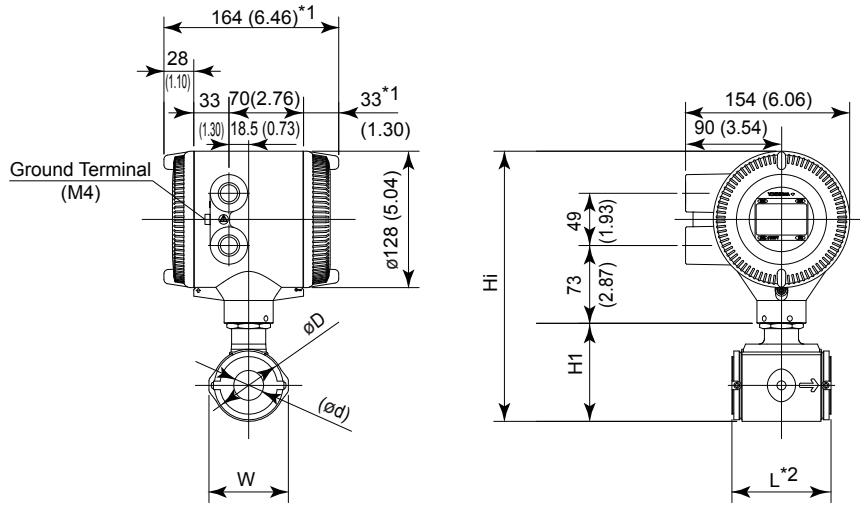


Drawings

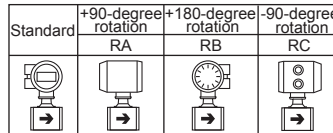
AXR025 Two-wire Magnetic Flowmeter Integral Flowmeter Lay Length Code 2 (Wafer)



AXR025 $\frac{G}{C}$ - □ 1 A □ 1 □ - A □ □ 2

Size code	025	
Size	25 (1)	
Lining code	A	
Face-to-face length	L*2	93 (3.66)
Outside dia.	øD	67.5 (2.66)
Inter diameter of Grounding ring	ød	28 (1.10)
Width	W	74.5 (2.93)
Height	H1	92 (3.62)
Max. Height	Hi	253.5 (9.98)
Weight kg (lb)	3.6 (7.8)	

* When option code RA, RB, or RC is selected, the direction of electrical connection change as below.



*1: When indicator code N is selected, subtract 5 mm (0.2 inch) from the value in the figure.
*2: Depending on the selection of grounding ring code and optional code, add the following value to "L" (face-to-face length).

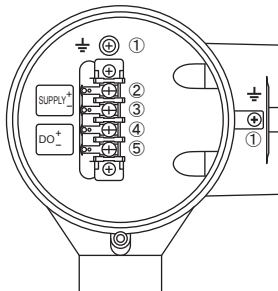
Optional Code	Grounding Ring Code	S, L, H	P, T	N
	None	+0	+22 (0.87)	-2 (0.08)
GA, GC, GD (Special Gaskets)	+8 (0.31)	+26 (1.02)	-	

General-purpose Use/Explosion Proof Type except TIIS
/TIIS Explosion Proof Type (Style:S1):

TIIS Explosion Proof Type (Style:S2):

Terminal configuration

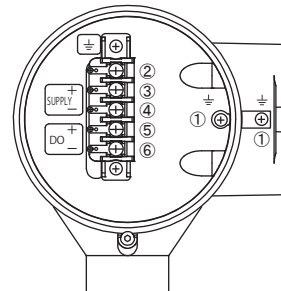
Terminal wiring



No.	Terminal Symbols	Description
①		Functional grounding
②	SUPPLY+ -	Power supply and current output
③		
④	DO+ -	Digital output (One output can be selected from pulse, alarm or status outputs.)
⑤		

Terminal configuration

Terminal wiring



No.	Terminal Symbols	Description
①		Functional grounding
②		Class A grounding
③	SUPPLY+ -	Power supply and current output
④		
⑤	DO+ -	Digital output (One output can be selected from pulse, alarm or status outputs.)
⑥		

Unless otherwise specified, difference in the dimensions are specified as : General tolerance = ± (Criteria of tolerance class IT18 in JIS B0401) / 2